



Main

| | |
|---------------------------|-------------------------------|
| Range of Product | Modicon MCM |
| Product or Component Type | Non-safe communication module |
| Device short name | XPSMCM |
| [Us] rated supply voltage | 24 V - 20...20 % DC |

Complementary

| | |
|--|---|
| Power dissipation in W | 3 W |
| Quality labels | CE |
| Range Compatibility | Preventa XPSMCM |
| Connector type | Female SUB-D 9 |
| Number of port | 1 |
| Method of access | Server |
| Transmission rate | 500 kbit/s 9.6 kbit/s 19.2 kbit/s 45.45 kbit/s 93.75 kbit/s 187.5 kbit/s 1.5 kbit/s 3 Mbit/s 6 Mbit/s 12 Mbit/s |
| Communication port protocol | Profibus DP |
| Current Consumption | 0.125 mA |
| Maximum cable distance between devices | 3280.84 Ft (1000 m) 328.08 Ft (100 m) 3937.01 Ft (1200 m) 1312.34 Ft (400 m) 656.17 ft (200 m) |
| Local signalling | LED green PWR power ON LED green RUN operating LED red E IN internal error LED red E EX external error LED green/red STS communication status LED green/red Mode connection state |
| Connections - terminals | 2 spring clamp terminals, removable terminal block |
| Cable cross section | 0.00...0.00 In ² (0.2...2.5 mm ²) - AWG 24...AWG 14 flexible without cable end 0.00...0.00 In ² (0.25...2.5 mm ²) - AWG 23...AWG 14 flexible with cable end, with bezel 0.00...0.00 In ² (0.25...2.5 mm ²) - AWG 23...AWG 14 flexible with cable end, without bezel 0.00...0.00 In ² (0.2...2.5 mm ²) - AWG 24...AWG 14 solid without cable end 0.00...0.00 in ² (0.5...1 mm ²) - AWG 20...AWG 18 flexible with cable end, with double bezel |
| Mounting support | Omega 35 mm DIN rail EN 50022 |
| Width | 0.89 in (22.5 mm) |
| Height | 3.90 in (99 mm) |

| | |
|------------|----------------------|
| Depth | 4.51 in (114.5 mm) |
| Net Weight | 0.66 lb(US) (0.3 kg) |

Environment

| | |
|---------------------------------------|---|
| Product Certifications | CULus RCM TÜV |
| IP Degree of Protection | IP20 |
| Ambient Air Temperature for Operation | 14...131 °F (-10...55 °C) |
| Ambient Air Temperature for Storage | -4...185 °F (-20...85 °C) |
| Relative humidity | 10...95 % |
| Pollution degree | 2 |
| Insulation | 250 V AC between power supply and housing EN/IEC 61800-5-1 |
| Overvoltage category | II |
| Electromagnetic compatibility | Electrostatic discharge immunity test 6 kV on contact) EN/IEC 61000-4-2 Electrostatic discharge immunity test 20 kV on air) EN/IEC 61000-4-2 Susceptibility to electromagnetic fields 10 V/m 80...1000 MHz) EN/IEC 61000-4-3 Susceptibility to electromagnetic fields 30 V/m 1.4 GHz...2 GHz) EN/IEC 61000-4-3 |
| Vibration resistance | +/-0.35 mm 10...55 Hz)EN/IEC 61496-1 |
| Shock resistance | 10 gn 16 ms) 1000 shocks on each axis EN/IEC 61496-1 |
| Operating altitude | 6561.68 ft (2000 m) |
| Service Life | 20 year(s) |




Ordering and shipping details

| | |
|-----------------------|---------------------------------|
| Category | 22477-SAFETY MODULES (PREVENTA) |
| Discount Schedule | SAF2 |
| GTIN | 3606480748479 |
| Nbr. of units in pkg. | 1 |
| Package weight(Lbs) | 7.51 oz (213.0 g) |
| Returnability | No |
| Country of origin | IT |

Packing Units

| | |
|------------------------------|------------------------|
| Unit Type of Package 1 | PCE |
| Package 1 Height | 1.77 in (4.5 cm) |
| Package 1 width | 5.04 in (12.8 cm) |
| Package 1 Length | 6.38 in (16.2 cm) |
| Unit Type of Package 2 | S01 |
| Number of Units in Package 2 | 6 |
| Package 2 Weight | 3.34 lb(US) (1.514 kg) |
| Package 2 Height | 5.91 in (15.0 cm) |
| Package 2 width | 5.91 in (15.0 cm) |
| Package 2 Length | 15.75 in (40.0 cm) |

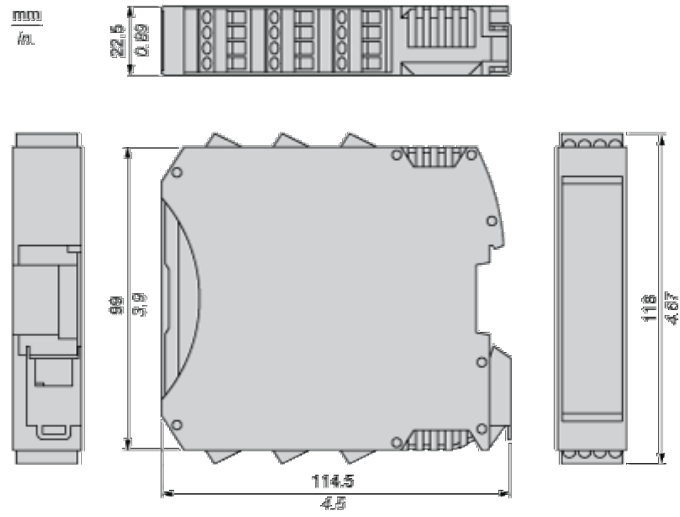
Offer Sustainability

| | |
|----------------------------|---|
| Sustainable offer status | Green Premium product |
| California proposition 65 | WARNING: This product can expose you to chemicals including: Lead and lead compounds, which is known to the State of California to cause cancer and birth defects or other reproductive harm. For more information go to www.P65Warnings.ca.gov |
| REACH Regulation |  REACH Declaration |
| REACH free of SVHC | Yes |
| EU RoHS Directive | Pro-active compliance (Product out of EU RoHS legal scope)  EU RoHS Declaration |
| Mercury free | Yes |
| RoHS exemption information |  Yes |

| | |
|--------------------------|--|
| China RoHS Regulation | China RoHS Declaration |
| Environmental Disclosure | Product Environmental Profile |
| Circularity Profile | End Of Life Information |
| WEEE | The product must be disposed on European Union markets following specific waste collection and never end up in rubbish bins. |
| PVC free | Yes |

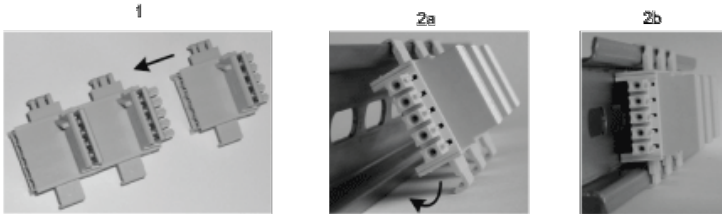
Dimensions

Spring Terminal



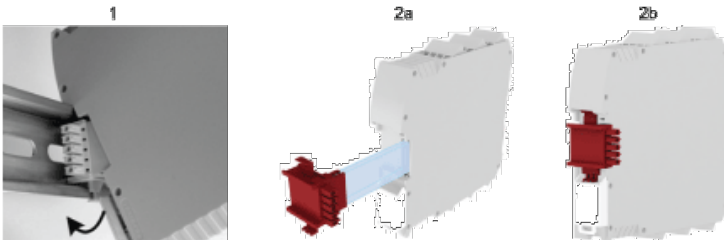
Mounting Safety Controller CPU with Module(s)

Mount BackPlane Connector on Rail



- 1 : Connect as much Backplane Connector as module to be install.
- 2 : Fix the connectors to the rail (Top first).

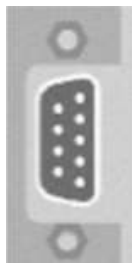
Mount Safety Controller CPU with Other Module(s)



- 1 : Mount controller CPU and modules on rail.
- 2 : Make sure that the controller CPU or the module(s) are plugged on the BackPlane connector.

Connection & Schema

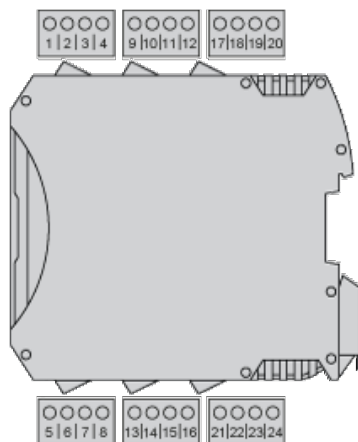
PROFIBUS DP Connector



| | |
|-------------|---|
| Description | PBUS (PROFIBUS DP) standard communication device |
| Wiring | <p>PIN/Signal/ Description</p> <p>1/ not connected</p> <p>2/ not connected</p> <p>3 / B Line / Positive RxD/TxD, RS485 level</p> <p>4 / RTS / Request to send</p> <p>5 / GND Bus/ ground (isolated)</p> <p>6 / +5 V Bus Output / +5V termination power (isolated, short-circuit protected)</p> <p>7 / not connected</p> <p>8 / A Line /Negative RxD/TxD, RS485 level</p> <p>9 / not connected housing / cable Shield / Internally connected to the protective earth via cable shield filters according to the PROFIBUS standard</p> |
| Data sets | <p>Input status, input diagnostics,</p> <p>fieldbus input status, probe status,</p> <p>safety output status, safety output diagnostics</p> |

Wiring

Terminal Designation



| Terminal | Signal | Description |
|----------|--------|---------------------|
| 1 | 24 VDC | 24 Vdc power supply |
| 2 | - | Not connected |
| 3 | | |
| 4 | 0 VDC | 0 Vdc power supply |
| 5 | - | Not connected |

| Terminal | Signal | Description |
|----------|--------|-------------|
| 6 | | |
| 7 | | |
| 8 | | |

Wiring Example

