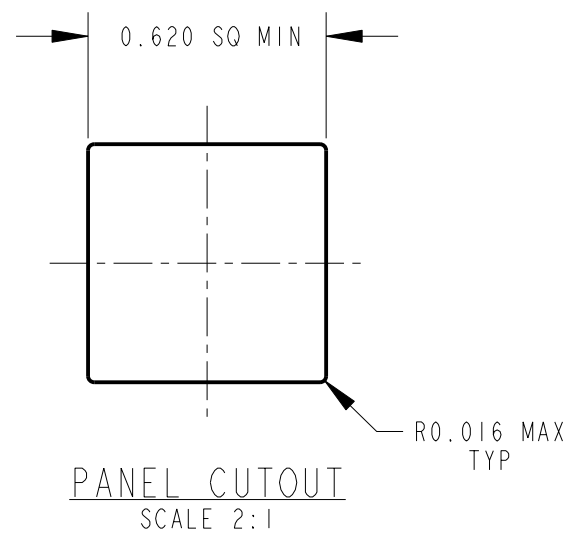
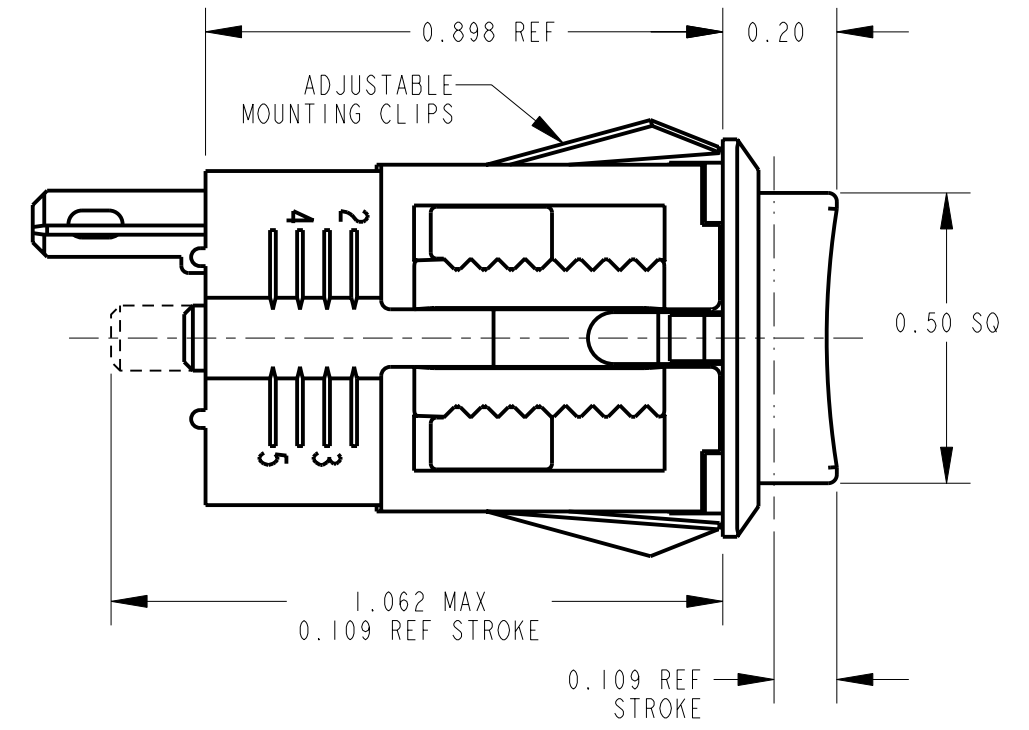
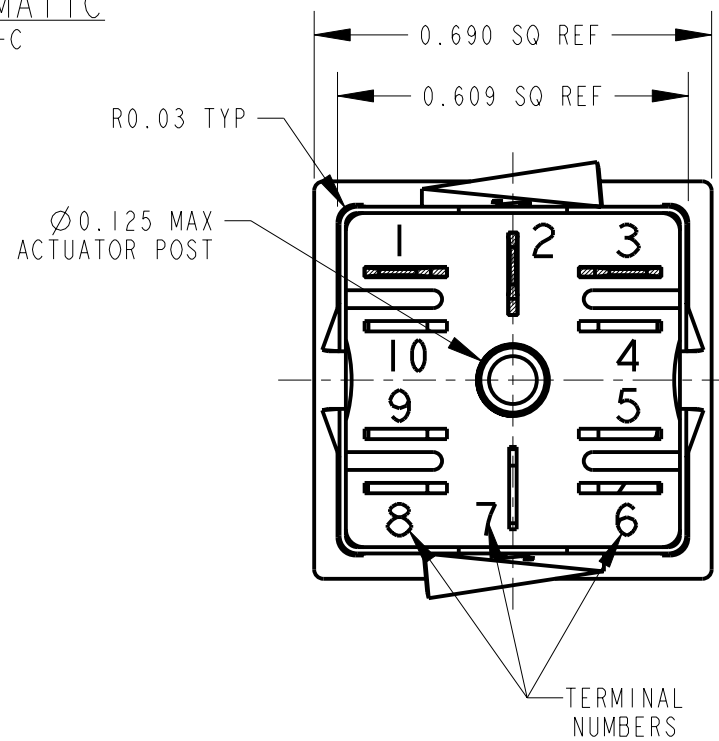
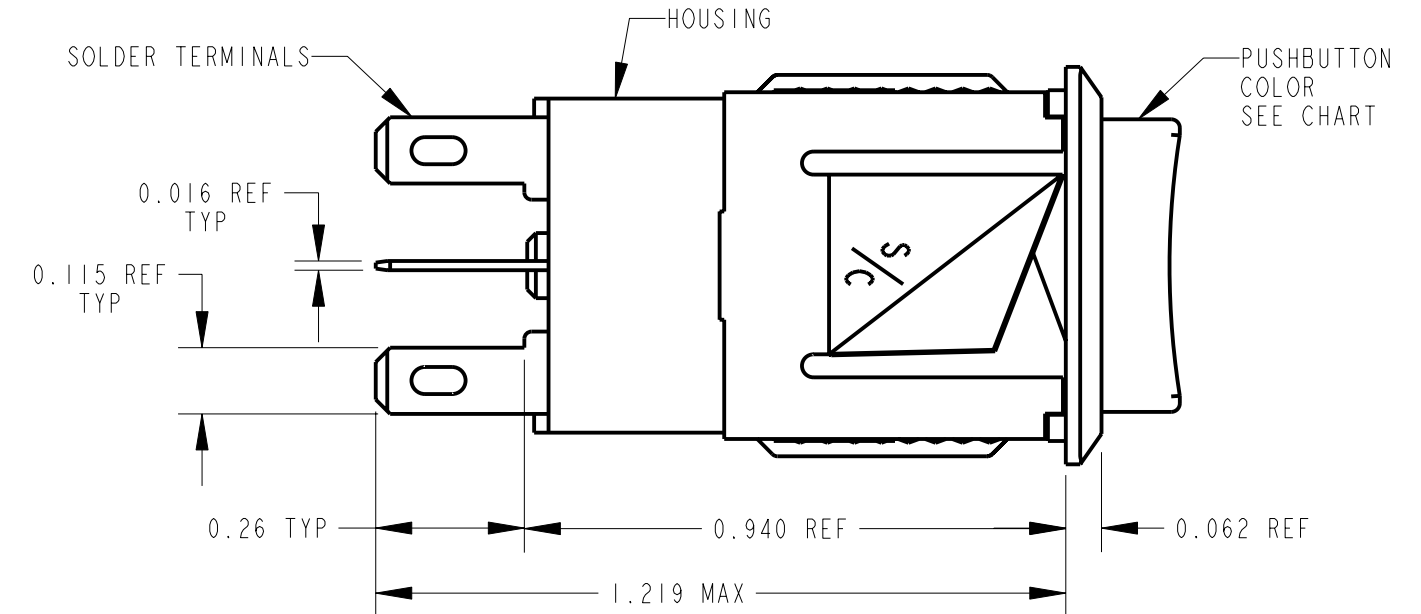
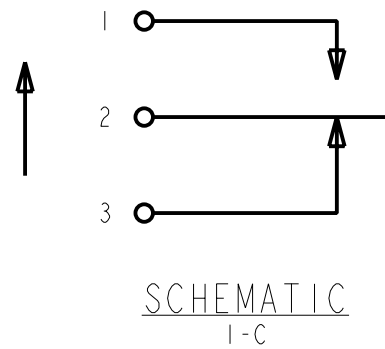


NOTES:

- SOLDER TERMINAL ARRANGEMENT: 1,2,3.
- CONTACT RATING 0.25 AMP, 30 WATTS MAX, AC, NON-INDUCTIVE LOAD.
- DIELECTRIC STRENGTH - 500 VOLTS, RMS. MIN.
- SWITCH MOUNTS IN PANELS 0.047 TO 0.281 THICK.
 POSITION 1: 0.047 - 0.094
 POSITION 2: 0.094 - 0.141
 POSITION 3: 0.141 - 0.188
 POSITION 4: 0.188 - 0.234
 POSITION 5: 0.234 - 0.281
- MATERIALS:
 HOUSING: THERMOPLASTIC, CHARCOAL GRAY
 PUSHBUTTON: THERMOPLASTIC, COLOR (SEE CHART)
 MOUNTING CLIP: COPPER ALLOY
 CONTACT SPRING, INTEGRAL: COPPER ALLOY, SILVER PLATED
 TERMINALS: COPPER ALLOY, SILVER PLATED
 ACTUATOR: THERMOPLASTIC, BEIGE
 SPRING: MUSIC WIRE, TINNED
 RETAINER PLATE: PAPER EPOXY LAMINATE
- THESE PRODUCTS ARE RoHS COMPLIANT.

PART NUMBER	PUSHBUTTON COLOR
BXR013	RED
BXR023	BLACK
BXR033	GREEN
BXR053	WHITE



CUSTOMER DRAWING

					★ STAR SYMBOL DENOTES CRITICAL DIMENSION	THIS DRAWING DESCRIBES A DESIGN CONSIDERED PROPRIETARY IN NATURE, DEVELOPED AND MANUFACTURED BY SWITCHCRAFT INC. AND IS RELEASED ON A CONFIDENTIAL BASIS FOR IDENTIFICATION PURPOSES ONLY.				
					UNLESS OTHERWISE SPECIFIED	SIZE	WIDTH	MULT	LBS/M	TEMPER
					1. ALL DIMENSIONS IN INCHES - TWO PLACE DECIMALS ±0.01 - THREE PLACE DECIMALS ±0.005 - ANGLES ±1° - ALL DIA. CONCENTRIC WITHIN 0.005 T.I.R.	FINISH		MATERIAL		
					2. FEATURES ON THE SAME CENTERLINE MUST BE ALIGNED WITHIN ±0.002	SPEC No.		SPEC No.		
					3. REMOVE ALL BURRS	FIRST USED ON		SCALE 3:1		
A	27357	9-12-14	TO	TJK	DATE DRAWN	BY	CHKD	APVD	Switchcraft [®]	
REV	ECO NUMBER	DATE	BY	APVD	8-25-14	TO	TO	TJK		
REVISIONS					DO NOT SCALE DRAWING	NAME		PART No.		REV
						BOX SWITCH, MOMENTARY SOLDER TERMINALS, RoHS		BXR0_3 SERIES		A