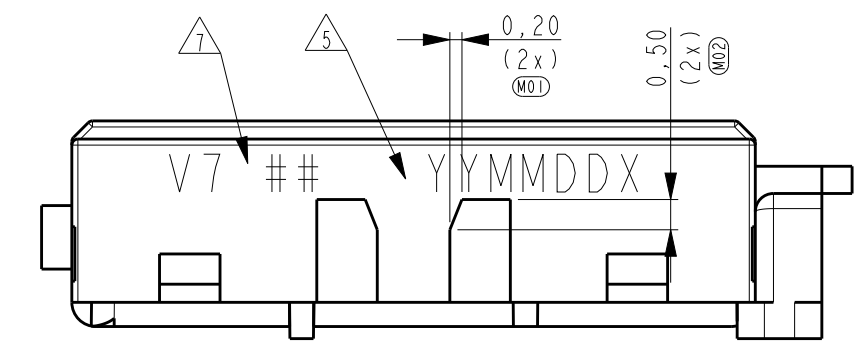
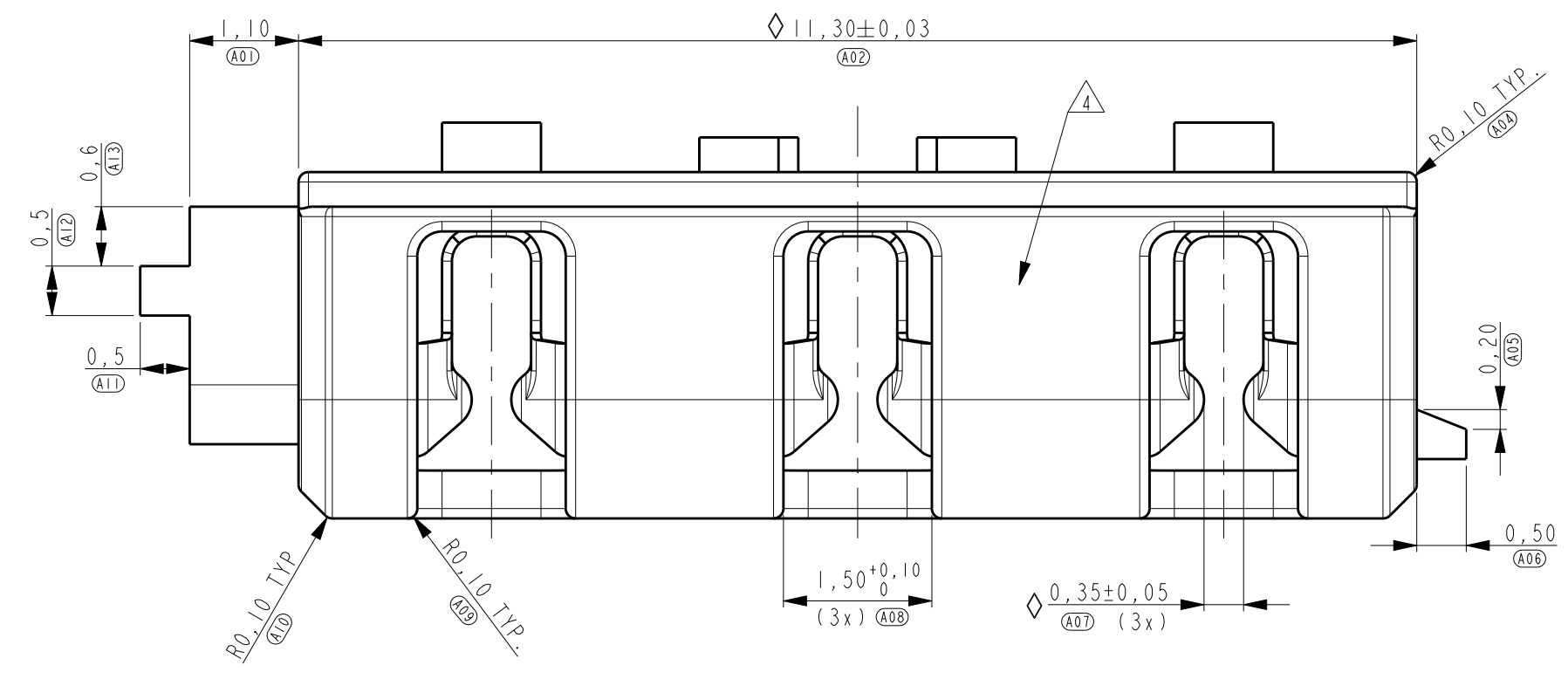
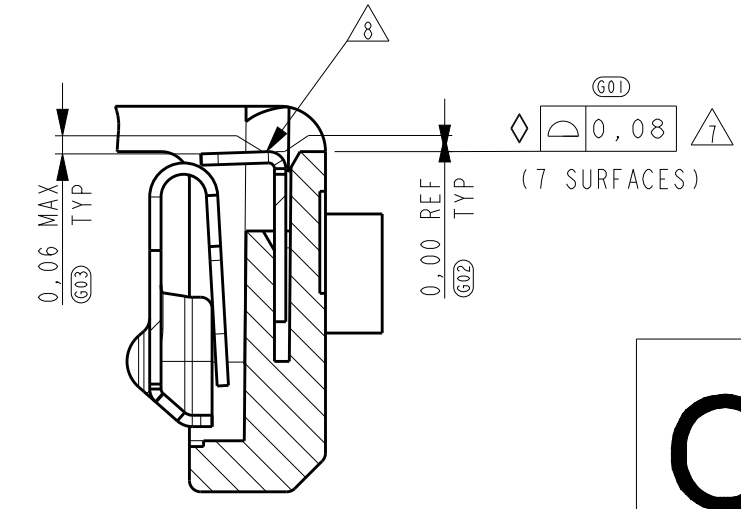
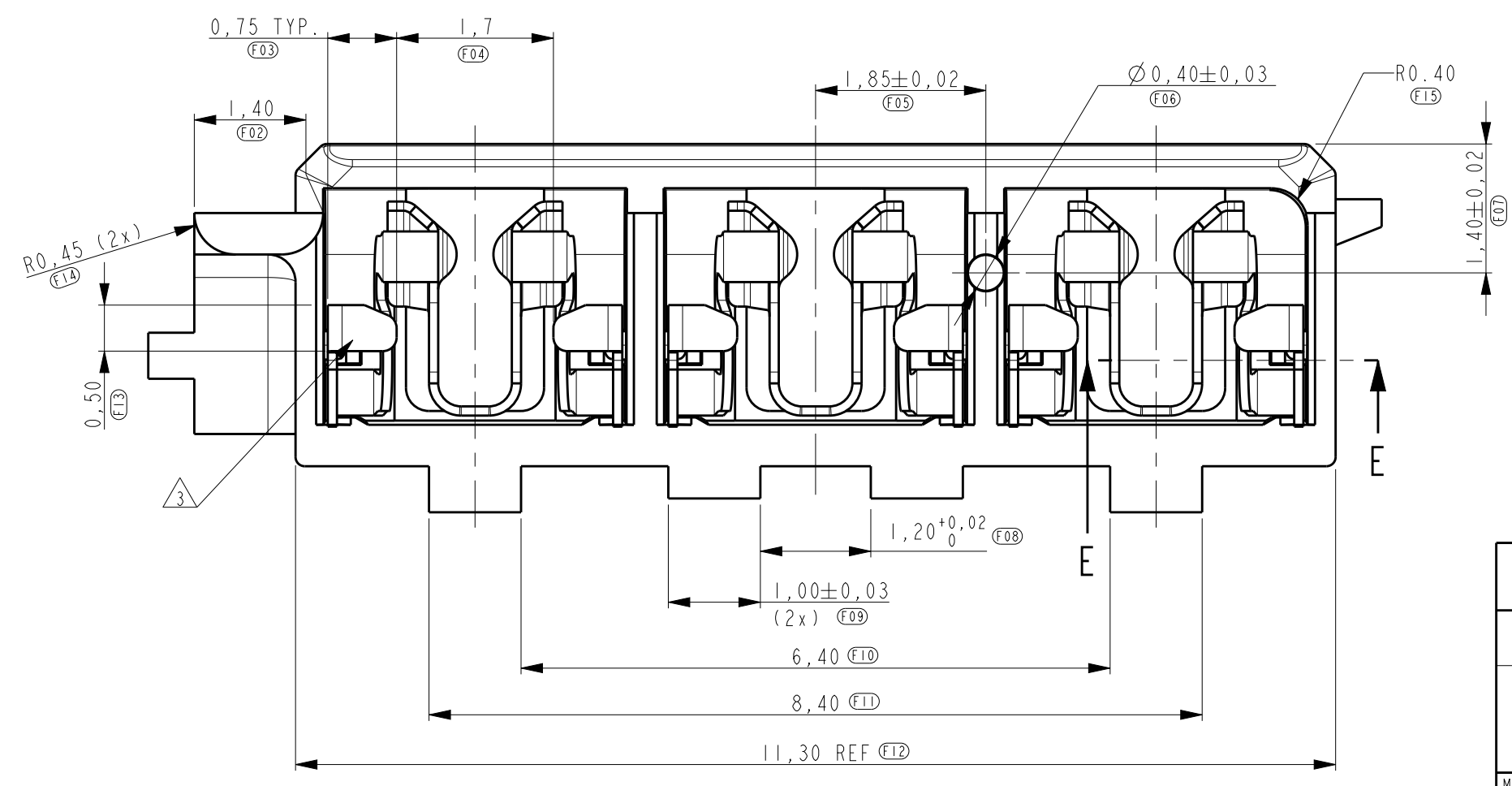
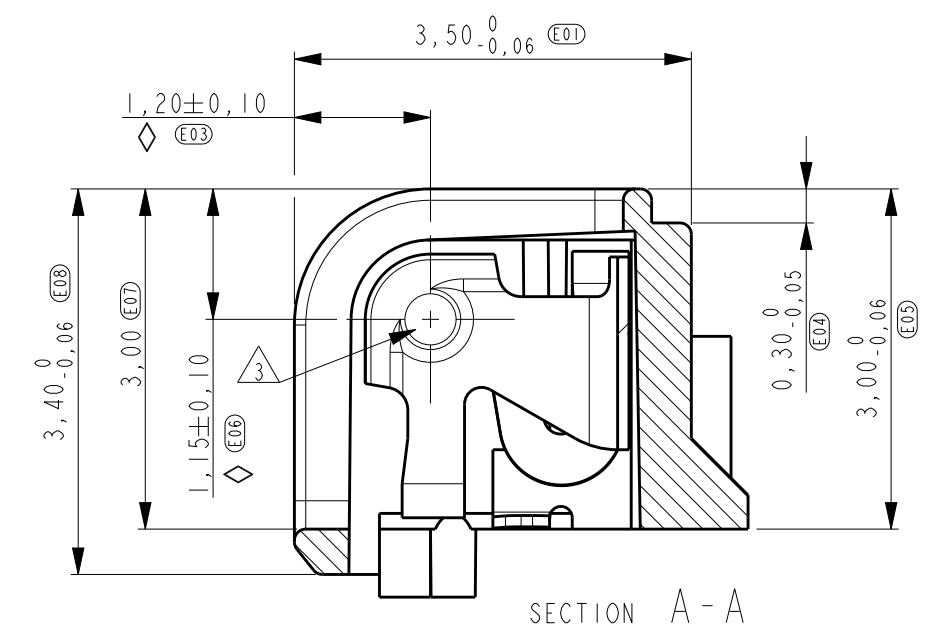
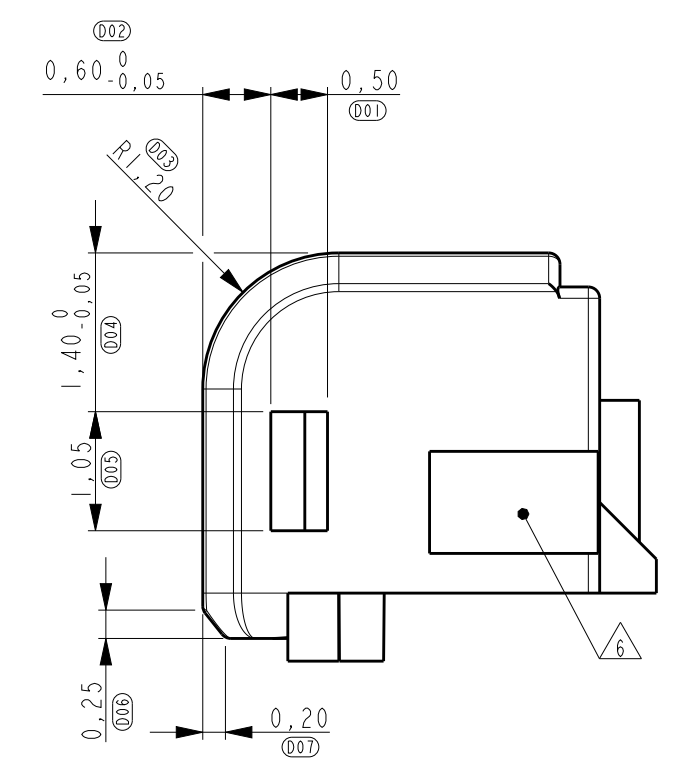
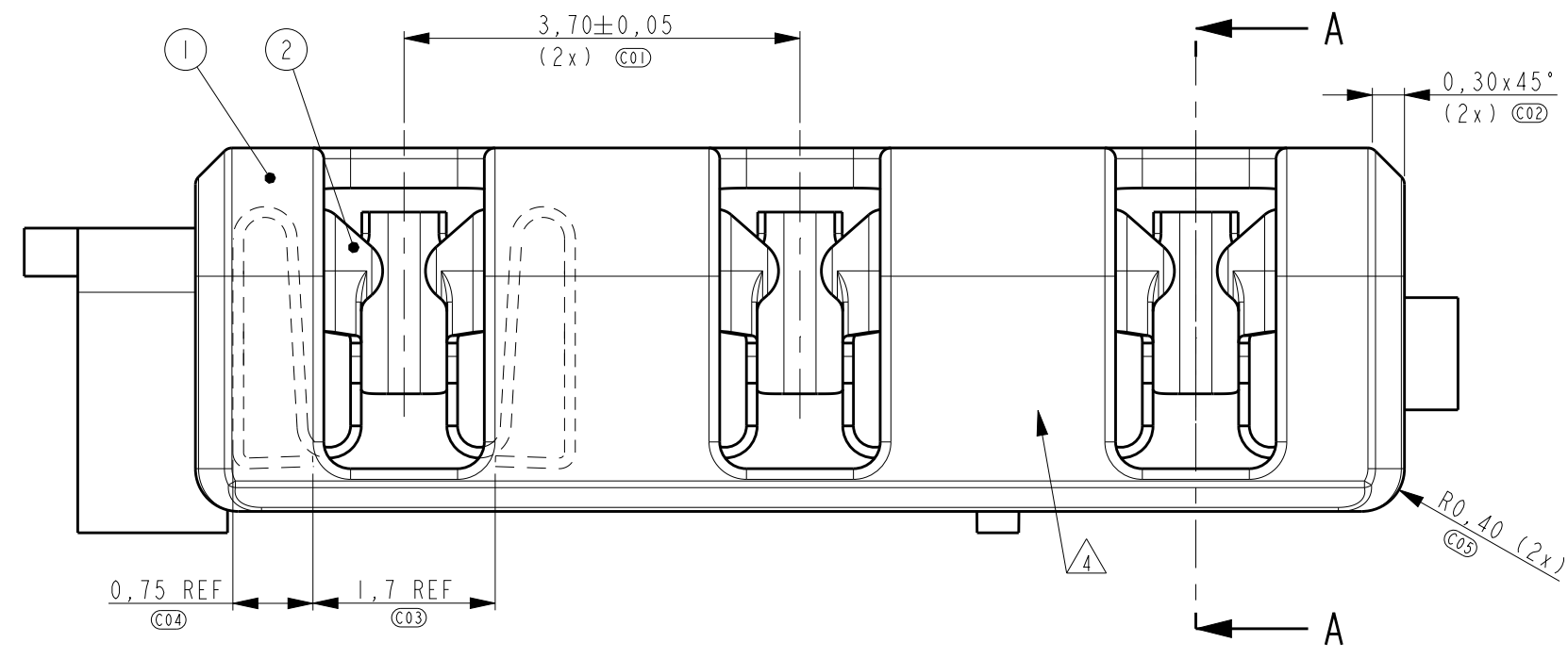
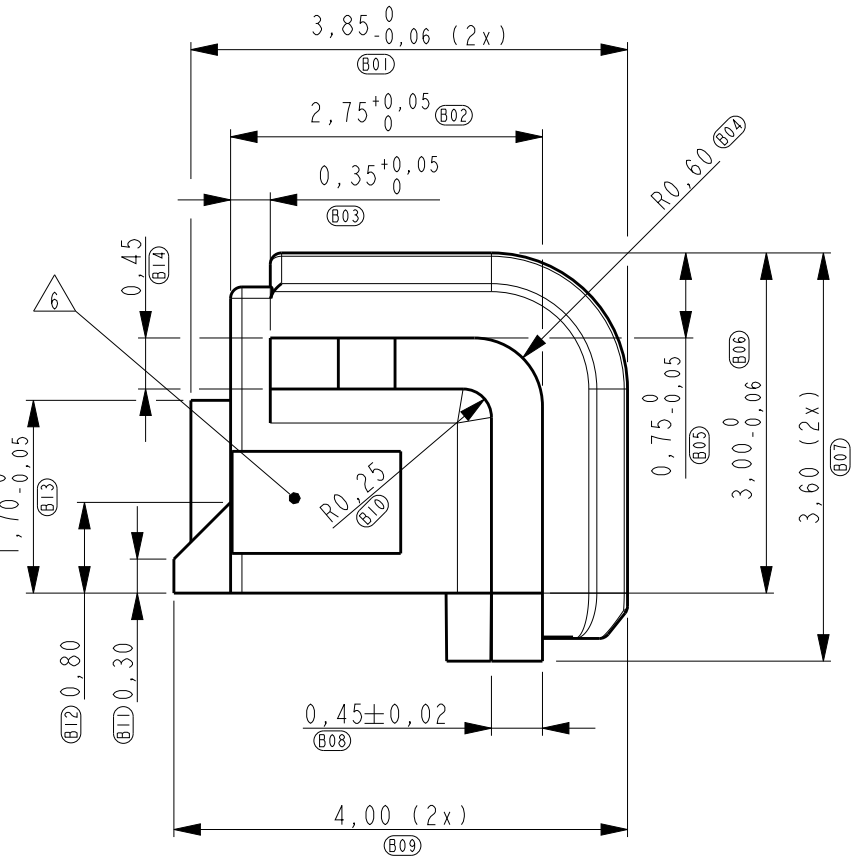


THIS DRAWING IS UNPUBLISHED. RELEASED FOR PUBLICATION  
 © COPYRIGHT - BY - ALL RIGHTS RESERVED.

LOC		DIST		REVISIONS			
P	LTR	DESCRIPTION	DATE	DWN	APVD		
B		ECR-13-000236	07JAN2013	PW	DH		
C		ECR-13-001863	12MAR2013	PW	DH		
CI		ECO-18-012432	28AUG2018	K.G	W.H		



- NOTES:
- PART NUMBER 2173089-1.
  - DRAWING REPRESENTS PART VERSION "V7".
  - PLATING:
    - 1.2µm MIN. NICKEL ALL OVER
    - 0.8µm MIN. GOLD ON CONTACT POINTS
    - 3.0µm MIN. TIN ON SOLDER AREA
  - SURFACE TEXTURE Ra 1.9µm (TOOL TEXTURE SPARK ERODED ACCORDING TO VDI 3400-24/27) COLOUR: BLACK (PANTONE 3U2X).
  - MARKING: RECESSED MOLD CAVITY ID.
  - MARKING: RECESSED INJECTION GATE.
  - MARKING: VERSION (VX), PROCESS ID (##), PRODUCTION DATE (YYMMDDX).
  - COPLANARITY 0.08 MAX, ALL CONTACTS AND HOUSING.



**OBSOLETE**

2	CONTACT	COPPER ALLOY	GOLD PLATED
1	HOUSING	LCP, 30% GF	
ITEM NO.	DESCRIPTION	MATERIAL	FINISH

THIS DRAWING IS A CONTROLLED DOCUMENT.

DWN	P. Willems	14APR2011
CHK	M. Gosselink	14APR2011
APVD	D. Halberstadt	14APR2011
PRODUCT SPEC	108-19276	
APPLICATION SPEC		
WEIGHT		
Customer Drawing		

SCALE 15:1 SHEET 1 OF 3 REV C1

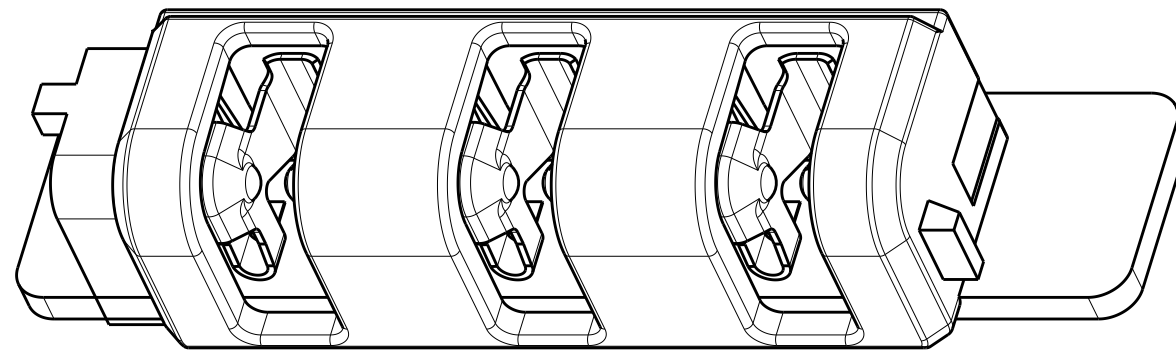
**STE** TE Connectivity

RECEPTACLE CONNECTOR  
3 POSITION, SMD  
BATTERY BLOCK

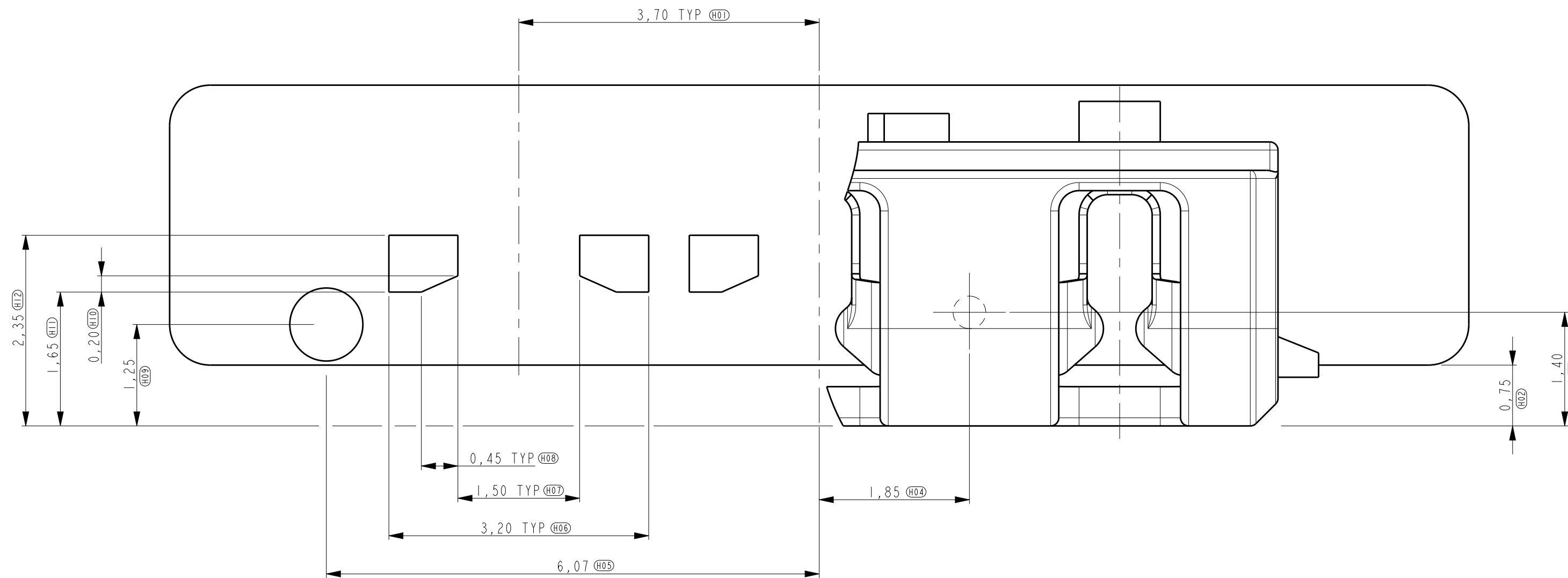
SIZE A2 CAGE CODE 00779 DRAWING NO. C-2173089

THIS DRAWING IS UNPUBLISHED. RELEASED FOR PUBLICATION  
 © COPYRIGHT - BY - ALL RIGHTS RESERVED.

LOC	DIST	REVISIONS					
H	-	P	LTR	DESCRIPTION	DATE	DWN	APVD
		-		SEE SHEET 1	-	-	-



SCALE 10:1



PWB LAYOUT  
 (AREA UNDER CONNECTOR FREE OF SOLDER SCREEN)

**OBSOLETE**

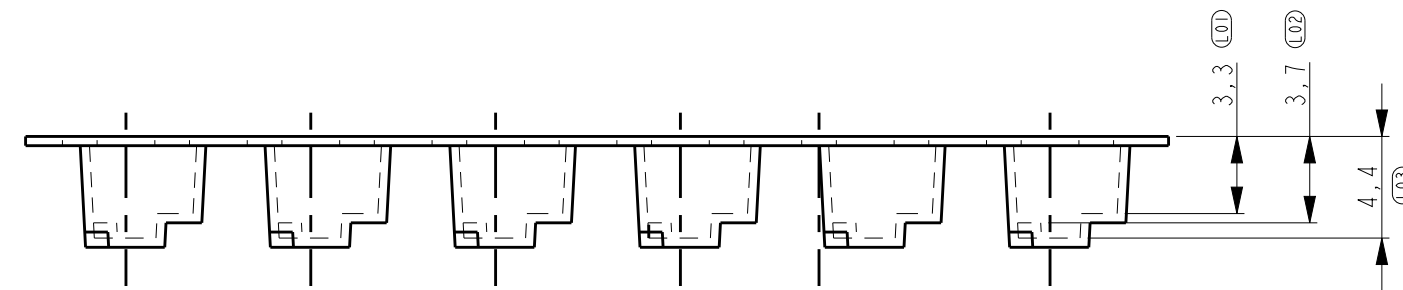
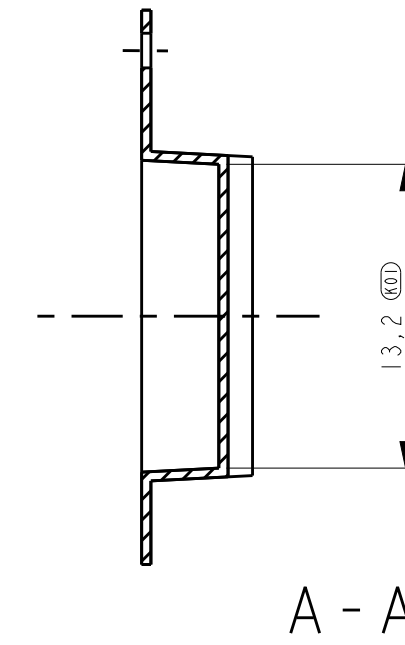
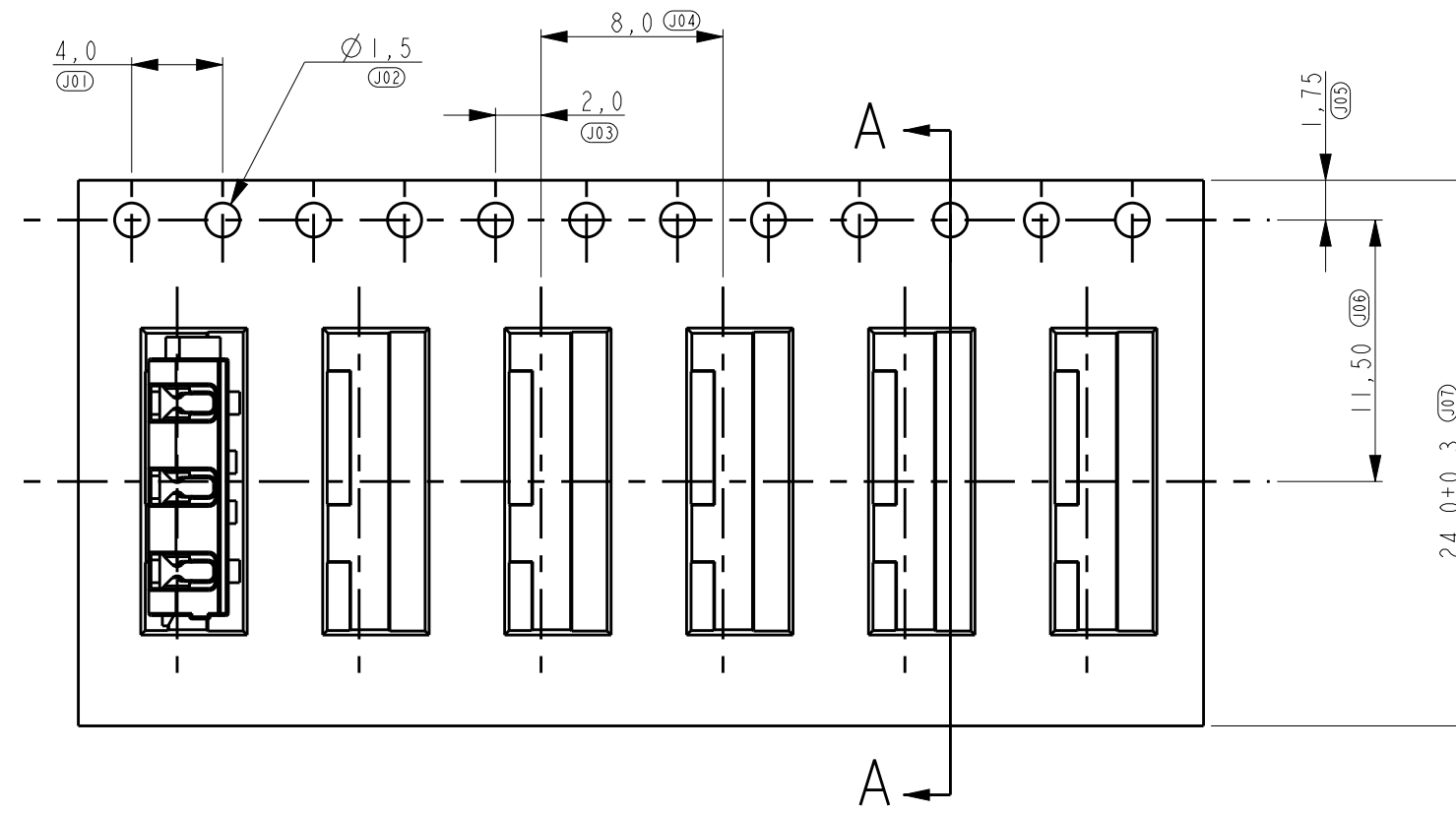
THIS DRAWING IS A CONTROLLED DOCUMENT.		DWN P. Willems 14APR2011	TE Connectivity	
DIMENSIONS: mm		CHK M. Gosselink 14APR2011		
TOLERANCES UNLESS OTHERWISE SPECIFIED:		APVD D. Halberstadt 14APR2011	NAME RECEPTACLE CONNECTOR 3 POSITION, SMD BATTERY BLOCK	
		PRODUCT SPEC 108-19276	SIZE A2	CAGE CODE 00779
MATERIAL		APPLICATION SPEC	DRAWING NO C-2173089	RESTRICTED TO
		WEIGHT	SCALE 15:1 SHEET 2 OF 3 REV C1	
		Customer Drawing		

THIS DRAWING IS UNPUBLISHED. RELEASED FOR PUBLICATION  
 © COPYRIGHT - BY - ALL RIGHTS RESERVED.

LOC	DIST	REVISIONS					
H	-	P	LTR	DESCRIPTION	DATE	DWN	APVD
		-		SEE SHEET 1	-	-	-


NOTES:

- REEL DIMENSION: 330x90x24.4
- QTY PER REEL: 1700PCS



USER UNREEL DIRECTION →

**OBSOLETE**

THIS DRAWING IS A CONTROLLED DOCUMENT.		DWN P. Willems 14APR2011	 TE Connectivity	
DIMENSIONS: mm		CHK M. Gosselink 14APR2011		
TOLERANCES UNLESS OTHERWISE SPECIFIED:		APVD D. Halberstadt 14APR2011	NAME RECEPTACLE CONNECTOR 3 POSITION, SMD BATTERY BLOCK	
0 PLC ±0,2 1 PLC ±0,1 2 PLC ±0,05 3 PLC ± 4 PLC ± ANGLES ± FINISH		PRODUCT SPEC 108-19276	SIZE A2	CAGE CODE 00779
MATERIAL		APPLICATION SPEC	DRAWING NO C-2173089	RESTRICTED TO
		WEIGHT	SCALE 15:1	SHEET 3 OF 3
		Customer Drawing	REV C1	