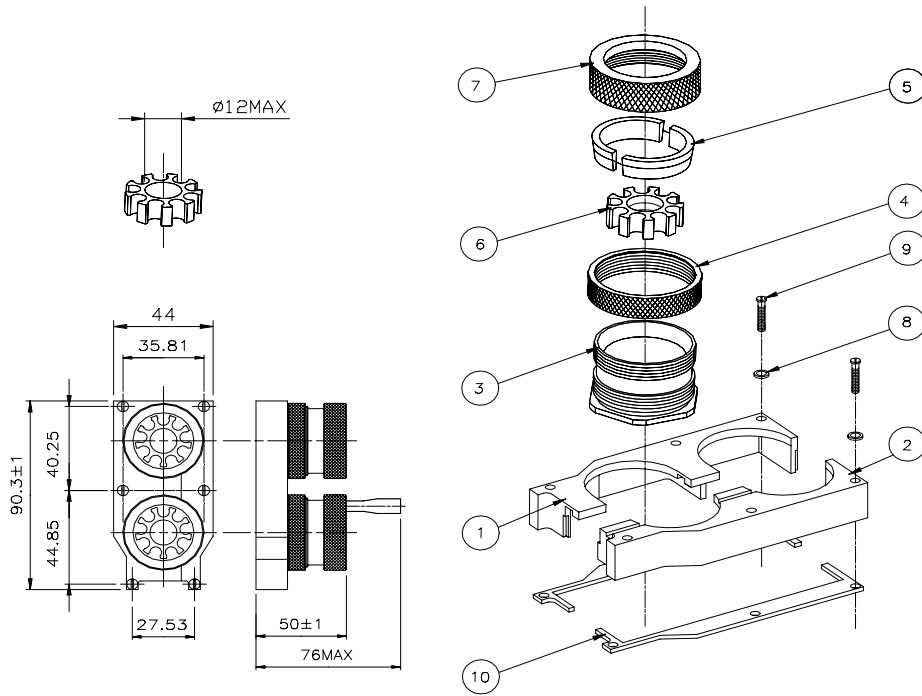


SPECIFICATION CONTROL DRAWING



Center lines tolerance: ± 0.2

ITEM	QTY	DESCRIPTION	MATERIAL	INDIVIDUAL PRODUCT NAME *
10	2	RETENTION BAR	ALUMINUM ALLOY	HEX-F-007-Y ₂
9	6	PAN HEAD SCREW 4-40 LENGTH 1-1/4"	STAINLESS STEEL	HEX-V-003-3
8	6	SPRING WASHER	STAINLESS STEEL	HEX-V-002-3
7	2	CLAMPNG NUT	ALUMINUM ALLOY	HEX-F-002-Y ₂
6	2	STAR	ALUMINUM ALLOY	HEX-S-AY ₁ -21-1
5	2	CONIC RING	ALUMINUM ALLOY	HEX-R-AY ₁ -21
4	2	HOLDING NUT	ALUMINUM ALLOY	HEX-D-001-Y ₂
3	2	BODY	ALUMINUM ALLOY	HEX-D-004-Y ₂
2	1	RIGHT SIDE SUPPORT	ALUMINUM ALLOY	HEX-F-102-Y ₂
1	1	LEFT SIDE SUPPORT	ALUMINUM ALLOY	HEX-F-103-Y ₂

* Parts are not sold separately.

FINISH:

-Aluminum alloy parts:
 Y₁=B Olive Drab Cadmium to QQ-P-416
 Y₁=C Electroless Nickel to MIL-C-26074, Class 3, Grade B
 Y₂=1 Olive Drab Cadmium
 Y₂=2 Electroless Nickel.

-Stainless steel parts: Passivation.

DESCRIPTION:

-This adaptor is designed to be mounted on ARINC 600 connectors, size2 from ITT Cannon and Radiall.
 -It meets Raychem specification RB-110 when assembled properly.
 -Used in conjunction with the Ferrules HET-A-OXX, ordered separately (Qty: 18).

INSTALLATION:

-See Raychem installation procedure RPIP 696-01.

WEIGHT:

-100 grams

Raychem		THERMOFIT DEVICES	Raychem Corporation 300 Constitution Drive Menlo Park, CA 94025 USA	TITLE: HEXASHIELD ADAPTOR FOR ARINC 600 CONNECTOR SIZE II			
UNLESS OTHERWISE SPECIFIED DIMENSIONS ARE IN MILLIMETERS.				DOCUMENT NO HEXA6-AY1-00-02-A18-1			
TOLERANCES: 0.00 N/A 0.0 N/A 0 N/A	ANGLES: N/A	Raychem reserves the right to amend this drawing at any time. Users should evaluate the suitability of the product for their application.	DCR NUMBER: D980697	REPLACES: A600T2			
DRAWN BY: R. MAPALO	DATE: 04/16/98		REV.: C	DOC. ISSUE: 2	SCALE:. NONE	SIZE: A	SHEET: 1 of 1

If this document is printed it becomes uncontrolled. Check for the latest revision.