

NOTES:

1. MATERIALS AND FINISHES:

BODY - ZINC DIECAST - MATTE TIN PLATED (.000100" MIN)
 CONTACT - BERYLLIUM COPPER - GOLD PLATED (.000030" MIN)
 INSULATORS - PTFE AND TPX

2. ELECTRICAL:

A. IMPEDANCE = 75 OHM, NOMINAL
 B. FREQUENCY RANGE = DC TO 6 GHz
 C. RETURN LOSS = -25dB FROM DC - 1GHz & -18dB FROM 1GHz TO 3 GHz

3. MECHANICAL:

A. DURABILITY = 200 CYCLES MIN.
 B. TEMPERATURE RANGE = -65° C TO +165° C
 C. ENGAGEMENT FORCE = 5.0 LBS MAX.
 DISENGAGEMENT FORCE = 0.5 LBS. MIN.

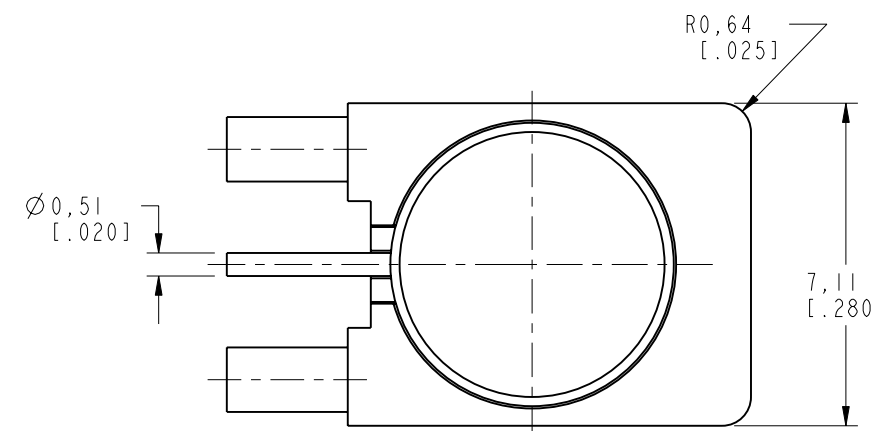
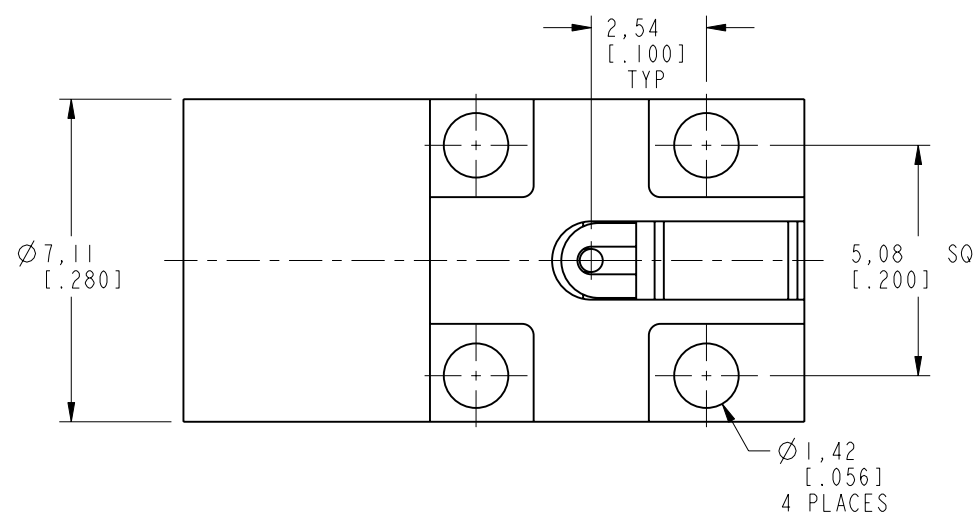
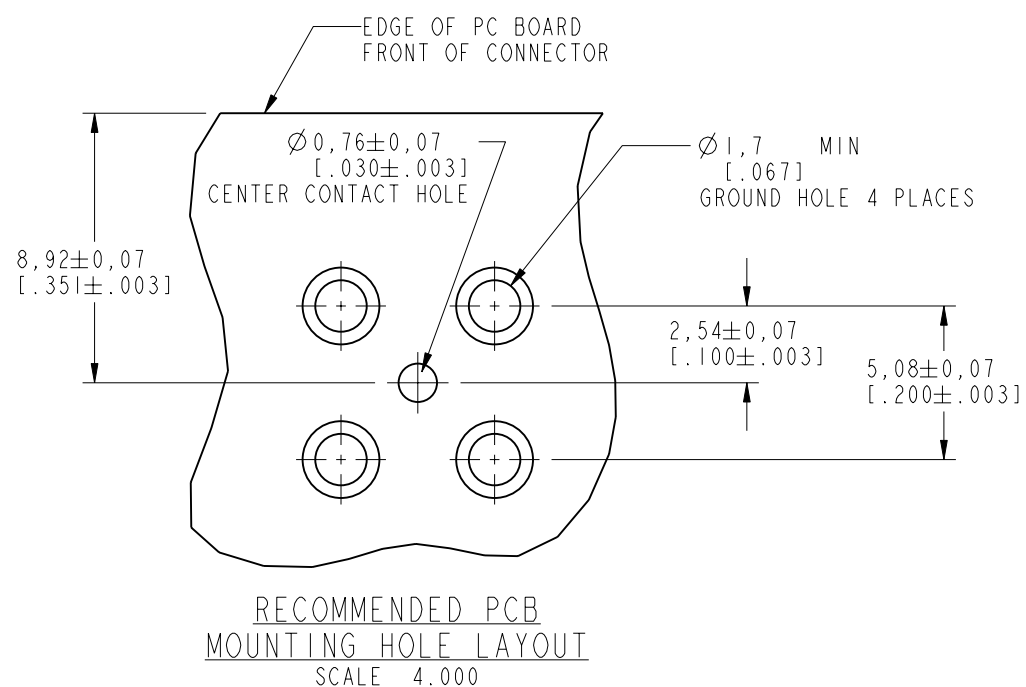
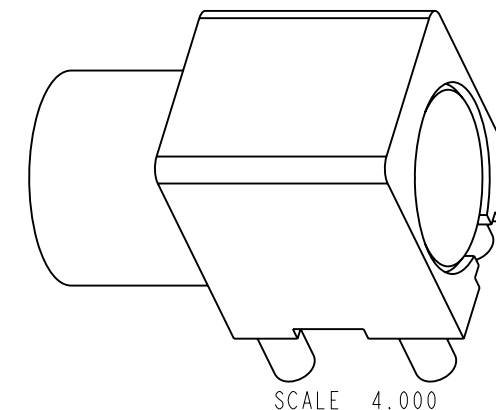
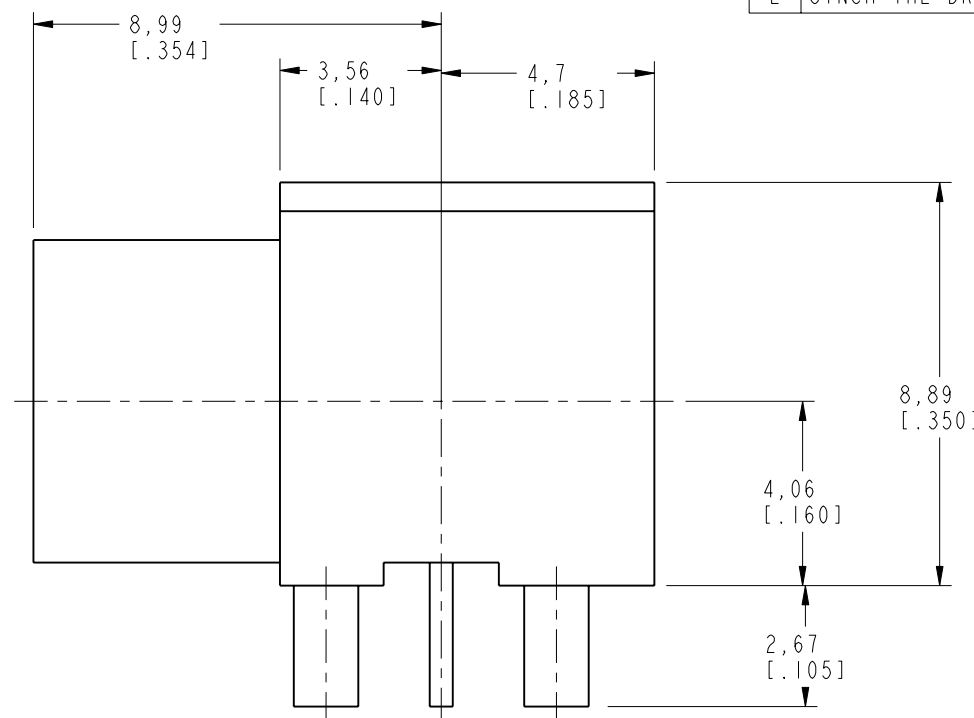
4. MARKING & PACKAGING:

A. PROTECTIVE TRAYS
 B. TRAY TO BE MARKED: AMPHENOL, 920-142J-71A, AND DATE CODE
 C. PART SHALL BE LEGIBLY MARKED "AMPHENOL"

THIRD ANGLE PROJ.

REVISIONS

REV	DESCRIPTION	DATE	ECO	APPR
A	RELEASE TO MFG.	-----	-----	JML
B	SEE SHEET 1	-----	-----	MAH
C	.354 WAS .361, MATTE TIN PLATING WAS BRIGHT ACID	4/10/06	45865	MAH
D	DURABILITY UPDATED	8/3/07	46675	TC
E	SYNCH THE DRAWING WITH DANBURY	06-Sep-11	48764	SH



CUSTOMER OUTLINE DRAWING
 ALL OTHER SHEETS ARE FOR INTERNAL USE ONLY

UNLESS OTHERWISE SPECIFIED, DIMENSIONS ARE IN METRIC AND TOLERANCES ARE:
 <0.5mm ± 0.05mm 0.5 - 6mm ± 0.1mm 6 - 30mm ± 0.2mm 30 - 120mm ± 0.3mm ANGLES ± 1°

NOTICE - These drawings, specifications, or other data (1) are, and remain the property of Amphenol corp. (2) must be returned upon request; and (3) are confidential and not to be disclosed to any person other than those to whom they are given by Amphenol Corp. the furnishing of these drawings, specifications, or other data by Amphenol Corp., or to any other person to anyone for any purpose is not to be regarded by implication or otherwise in any manner licensing, granting rights to permitting such holder or any other person to manufacture, use or sell any product, process or design, patented or otherwise, that may in any way be related to or disclosed by said drawings, specifications, or other data.

MATERIAL	DRAWN	DATE	TITLE	Amphenol RF
	R. MAO	31-Aug-11		
REFERENCE EAR# 1131 GEN# ASSYF20_AF1 615X-1984-100	ENGINEER	DATE	SCALE: 6.0:1.0	DRAWING NO. 920-142J-71A
	M. HOYACK	10/02/03		
FINISH	APPROVED	DATE	DWG SIZE	PART NO. 920-142J-71A
	S. HSIEH	31-Aug-11		
	CAD FILE		REV	
			E	