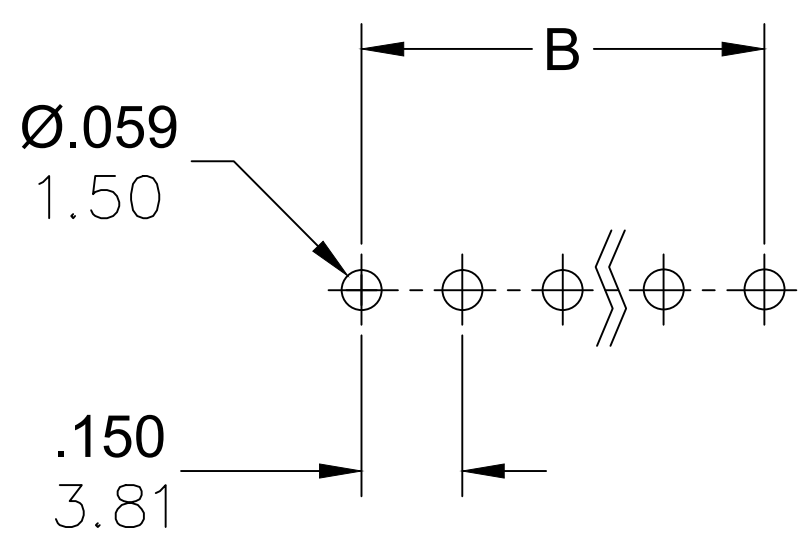


PART NUMBER DATA							
CIRCUITS	PART NUMBER	ENGINEERING NUMBER	COLOR	A IN mm		B IN mm	
2	397480002	M611-02-02-3	GREEN	.30	7.6	.150	3.81
3	397480003	M611-02-03-3	GREEN	.45	11.4	.300	7.62
4	397480004	M611-02-04-3	GREEN	.60	15.2	.450	11.43
5	397480005	M611-02-05-3	GREEN	.75	19.0	.600	15.24
6	397480006	M611-02-06-3	GREEN	.90	22.9	.750	19.05
7	397480007	M611-02-07-3	GREEN	1.05	26.7	.900	22.86
8	397480008	M611-02-08-3	GREEN	1.20	30.5	1.050	26.67
9	397480009	M611-02-09-3	GREEN	1.35	34.3	1.200	30.48
10	397480010	M611-02-10-3	GREEN	1.50	38.1	1.350	34.29
11	397480011	M611-02-11-3	GREEN	1.65	41.9	1.500	38.10
12	397480012	M611-02-12-3	GREEN	1.80	45.7	1.650	41.91
13		M611-02-13-3	GREEN	1.95	49.5	1.800	45.72
14		M611-02-14-3	GREEN	2.10	53.3	1.950	49.53
15		M611-02-15-3	GREEN	2.25	57.1	2.100	53.34
16		M611-02-16-3	GREEN	2.40	61.0	2.250	57.15

REF. LAST 2 DIGITS OF PART NUMBER EQUAL CIRCUIT COUNT

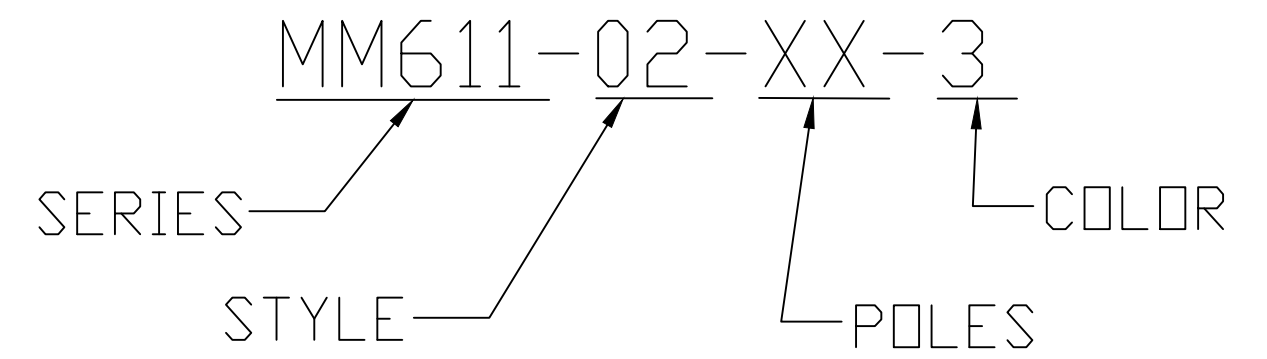


PCB LAYOUT

SPECIFICATIONS:

- MATERIAL:
  - A. TERMINAL: BRASS TIN PLATED
  - B. CAGE: BRASS NICKEL PLATED
  - C. BODY: PA66 UL94 V-0
  - D. SCREW: M2 STEEL ZINC PLATED
  - E. COVER: PA66 UL94 V-0
- RATING: 300V, 10A
- MAX TORQUE: 2.0 LB-IN.
- WIRE RANGE: 30-16 AWG
- WIRE STRIP: .20 IN (5.0mm)
- DIELECTRIC VOLTAGE WITHSTAND: AC 2000V FOR 1 MINUTE
- INSULATION RESISTANCE: DC 500V, 500MΩ
- RATED IMPULSE VOLTAGE: 4000V PLUS AND MINUS 5 TIMES EACH
- OPERATING TEMPERATURE: -40°C TO +105°C
- MAX. SOLDERING TEMP: 260°C (500°F) FOR 5 SECONDS
- DIMS SHOWN ARE FOR REFERENCE ONLY

ENGINEERING NUMBER LEGEND



CONTACT FACTORY FOR OPTIONAL COLORS

TOLERANCES			
MM	TOL	INCH	TOL
0-6	±0.25	0-.24	±.010
>6-30	±0.40	.24-1.18	±.016
>30-120	±0.50	1.18-4.76	±.020
>120	±0.80	>4.76	±.031

REVISED DOC TOL EC NO.: ICG2017-0881 DRWN: ABENJAMI CHKD: --- APPR: BRUPERT 2014/10/16 REV A1	QUALITY SYMBOL ▽=0 ▽=0	GENERAL TOLERANCES (UNLESS SPECIFIED) <table border="1"> <thead> <tr> <th></th> <th>mm</th> <th>INCH</th> </tr> </thead> <tbody> <tr><td>4 PLACES</td><td>±---</td><td>±---</td></tr> <tr><td>3 PLACES</td><td>±---</td><td>±---</td></tr> <tr><td>2 PLACES</td><td>±---</td><td>±---</td></tr> <tr><td>1 PLACE</td><td>±---</td><td>±---</td></tr> </tbody> </table>		mm	INCH	4 PLACES	±---	±---	3 PLACES	±---	±---	2 PLACES	±---	±---	1 PLACE	±---	±---	DIMENSION STYLE IN/MM DRAWN BY: RSTONE DATE: 2014/05/08 CHECKED BY: G FARNSW DATE: ---	SCALE: --- DESIGN UNITS: METRIC THIRD ANGLE PROJECTION	TITLE: EURO TERMINAL BLOCK 55 DEGREE 3.81MM
		mm	INCH																	
	4 PLACES	±---	±---																	
	3 PLACES	±---	±---																	
2 PLACES	±---	±---																		
1 PLACE	±---	±---																		
DRAFT WHERE APPLICABLE MUST REMAIN WITHIN DIMENSIONS	MATERIAL NO.: SEE CHART SIZE: C	APPROVED BY: JFMURPHY DATE: 2014/10/16	MOLEX INCORPORATED DOCUMENT NO.: SD-39748-001 SHEET NO.: 1 OF 1	THIS DRAWING CONTAINS INFORMATION THAT IS PROPRIETARY TO MOLEX INCORPORATED AND SHOULD NOT BE USED WITHOUT WRITTEN PERMISSION																