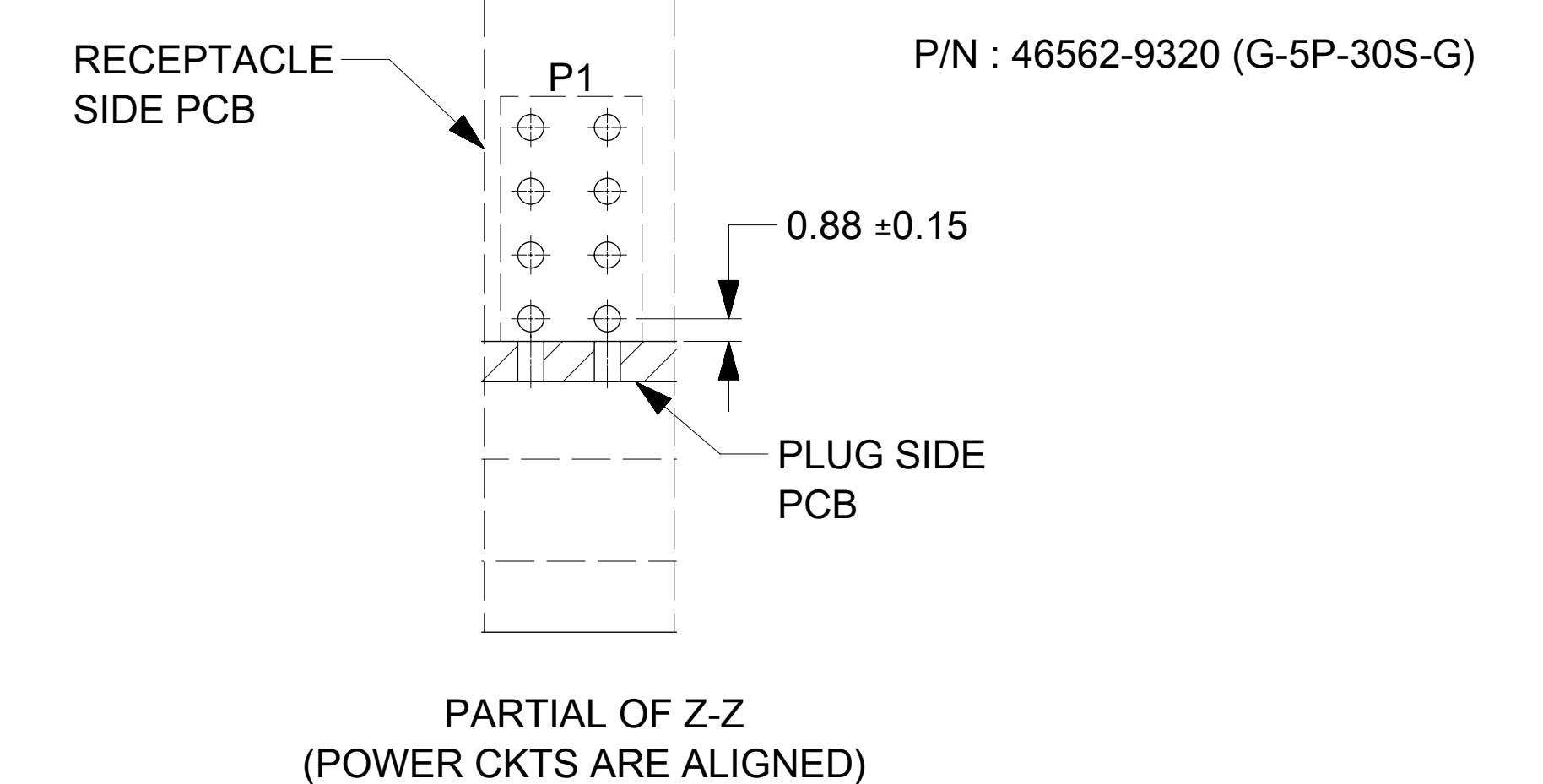
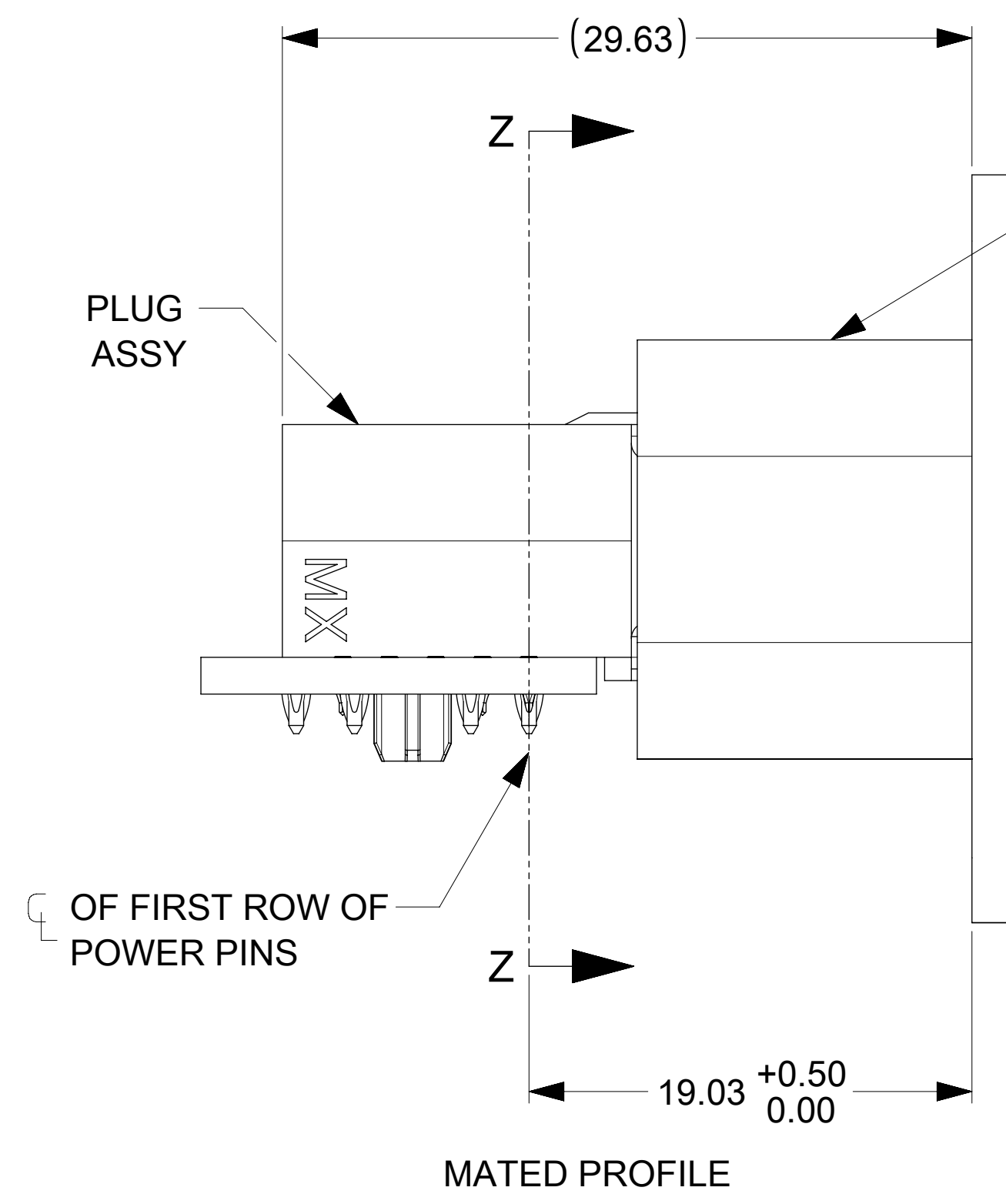
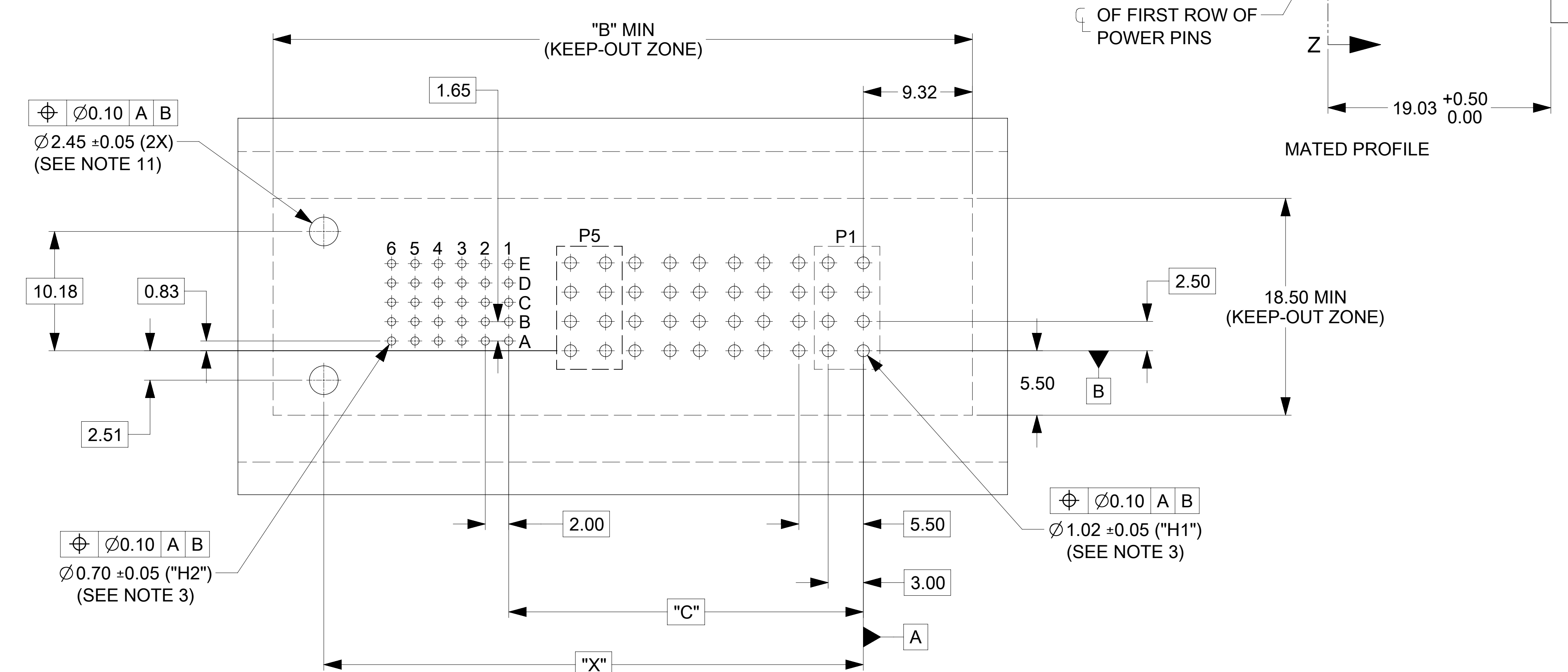


ALLOW EXTRA SPACE
4.00 MM PER SIDE
(REQUIRED FOR RE-WORK PER AS-46436-100)

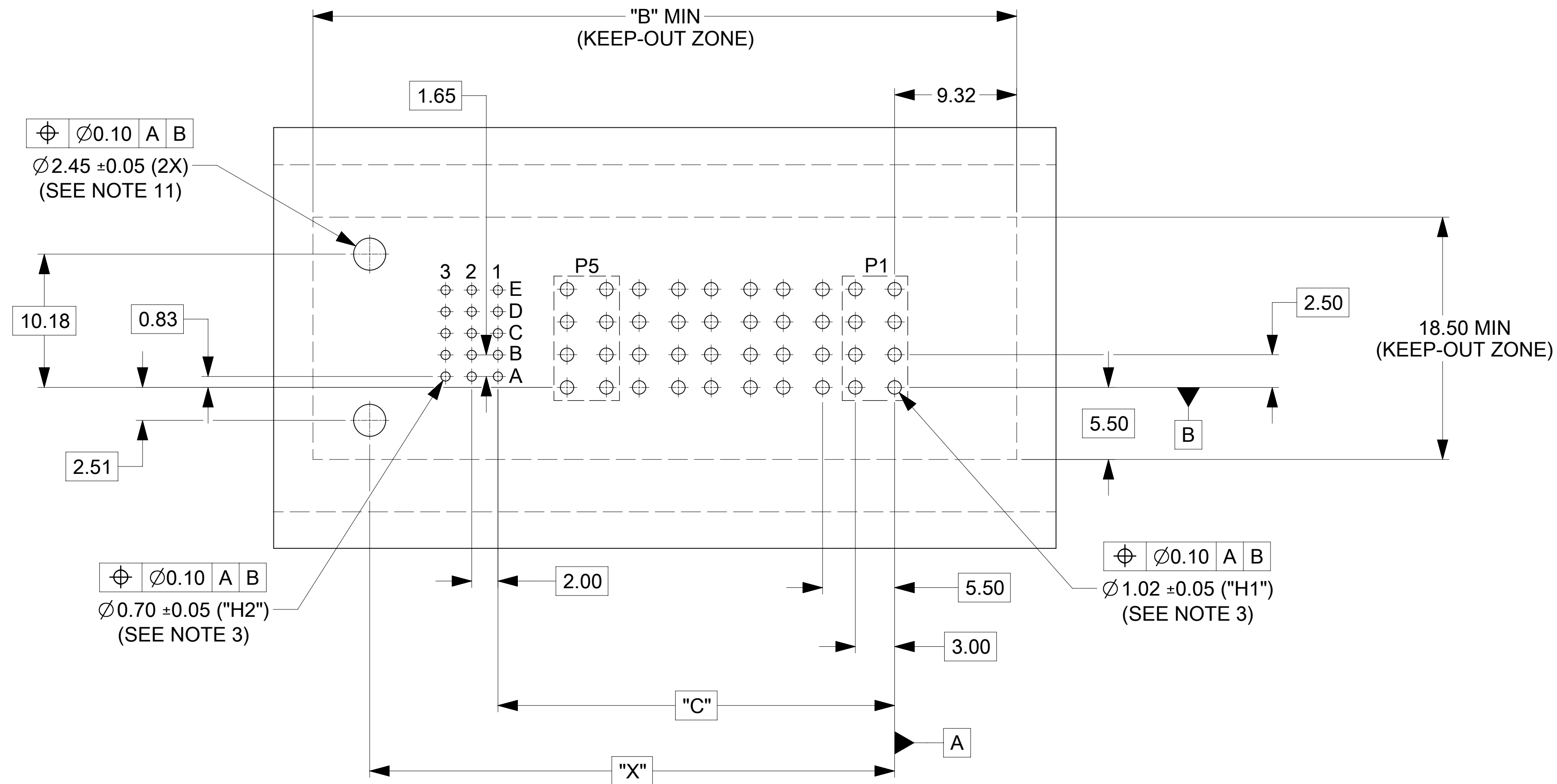


- NOTES:
- MATERIAL:
 - HOUSINGS: LCP UL94, V-0, COLOR: BLACK
 - TERMINALS: HIGH CONDUCTIVITY COPPER ALLOY
 - PLATING: 1.27 MICROMETER (50 MICROINCH) NICKEL OVERALL WITH 2.54 MICROMETER (100 MICROINCH) SELECTIVE TIN ON TAILS AND 0.762 MICROMETER (30 MICROINCH) SELECTIVE GOLD ON CONTACT AREA
 - PACKAGING: ASSEMBLIES TO BE TRAY PACKED PER PACKAGING SPEC: 465621001-PK
 - PLATED THRU HOLE SIZE, REFER TO PS-46436-100 FOR DETAILS
 - PRODUCT SPEC: PS-46436-100
 - APPLICATION SPEC: AS-46436-100
 - PRODUCT TO MEET RoHS REQUIREMENTS
 - ASSEMBLY MATES TO MOLEX PLUG ASSEMBLY P/N 46437-**** (SEE TABLE IN SHEET 2).
 - TAIL DESIGN: COMPLIANT PINS
 - POWER AND SIGNAL CONTACTS ARE LUBRICATED.
 - MOLEX LOGO TO BE LOCATED APPROXIMATELY AS SHOWN.
 - FOR USE WITH 2-32 TYPE AB SELF THREADING SCREWS, SCREW LENGTH OF 9.50MM IS RECOMMENDED FOR 1.58MM THICK PCB MAX TORQUE IS 4 LBS-IN.



THIS DRAWING CONTAINS INFORMATION THAT IS PROPRIETARY TO MOLEX ELECTRONIC TECHNOLOGIES, LLC AND SHOULD NOT BE USED WITHOUT WRITTEN PERMISSION									
DIMENSION UNITS		SCALE		CURRENT REV DESC: ADDED ISOMETRIC VIEWS					
mm		4:1							
GENERAL TOLERANCES (UNLESS SPECIFIED)									
ANGULAR TOL ± 0.5°									
4 PLACES ±		EC NO: 689821							
3 PLACES ±		DRWN: HARSHG		2021/12/13					
2 PLACES ± 0.13		CHK'D: GJEEVANSURES		2021/12/22					
1 PLACE ± 0.25		APPR: HTHYAGARAJ		2022/02/14					
0 PLACES ±		INITIAL REVISION:							
		DRWN: KSUTAR		2021/08/16					
		APPR: HTHYAGARAJ		2021/10/21					
DRAFT WHERE APPLICABLE MUST REMAIN WITHIN DIMENSIONS		THIRD ANGLE PROJECTION		DRAWING		SERIES		MATERIAL NUMBER	
		D-SIZE		46562		SEE TABLE		CUSTOMER	
						GENERAL MARKET		SHEET NUMBER	
								1 OF 4	

RECOMMENDED PCB LAYOUT AND KEEP-OUT ZONE FOR G-(1P TO 5P)-30S-G



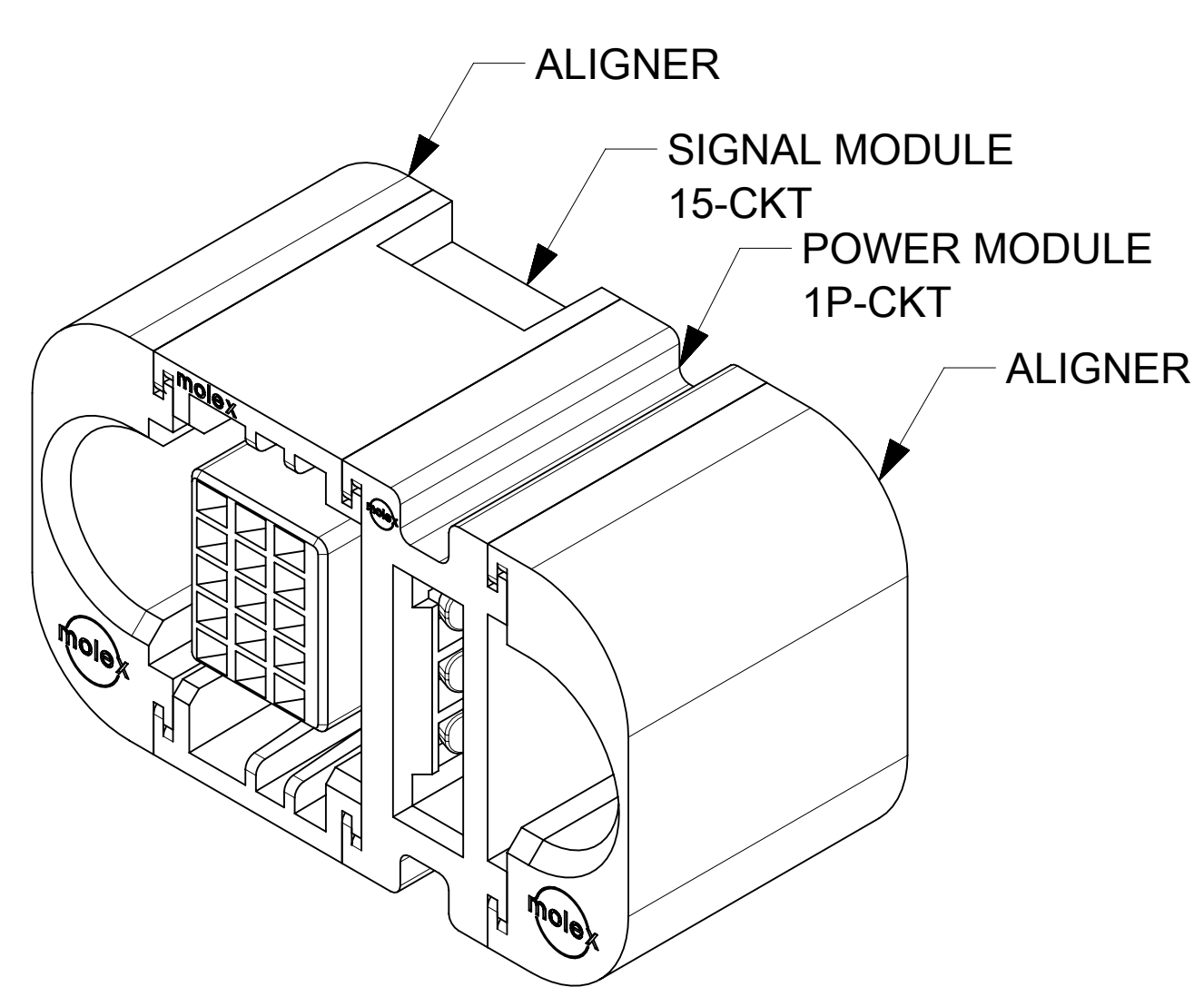
RECOMMENDED PCB LAYOUT AND KEEP-OUT ZONE FOR G-(1P TO 5P)-15S-G

REFER TO BELOW TABLE FOR DIMENSIONS.

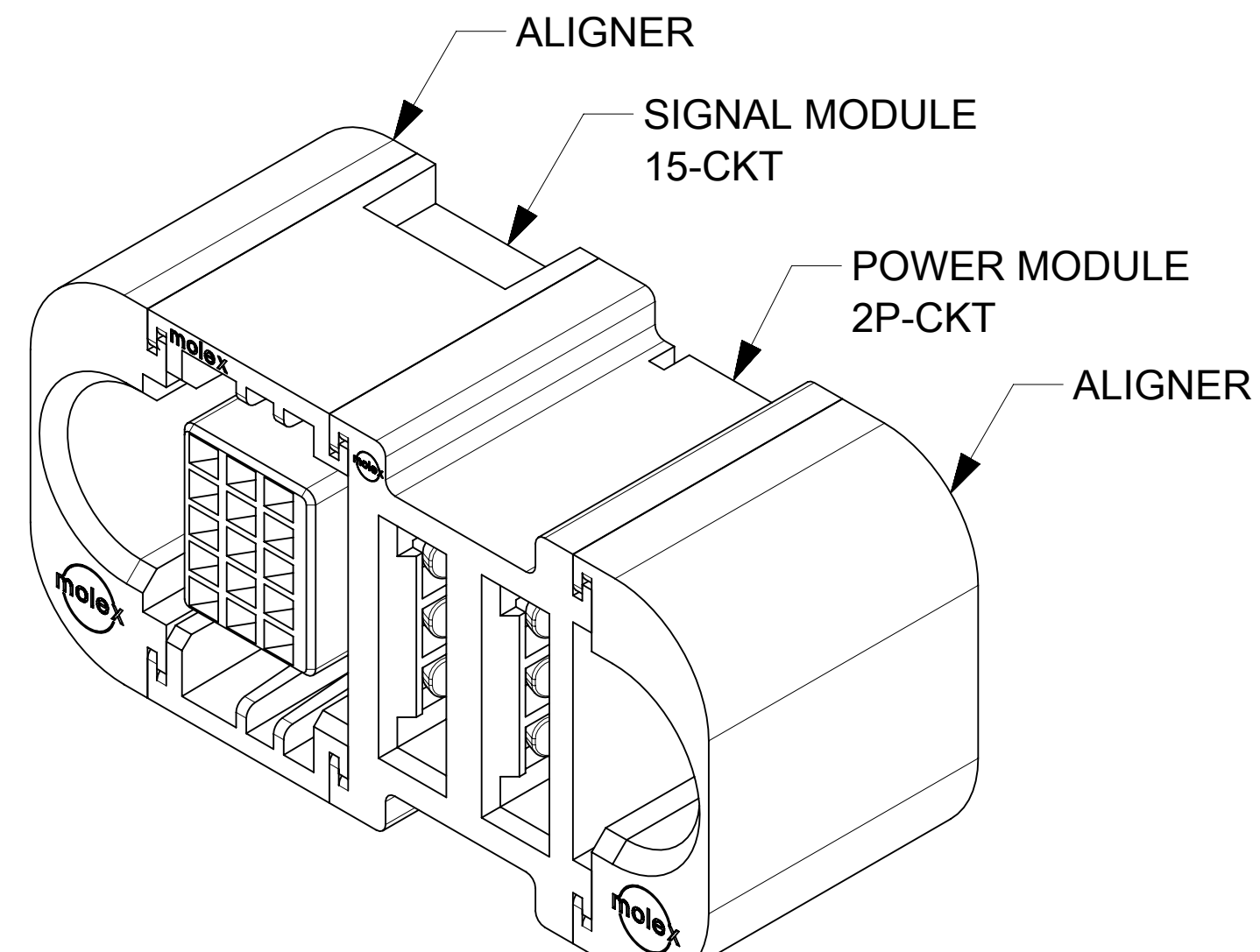
FG P/N	CONFIGURATION	POWER CKT SIZE	SIGNAL CKT SIZE	DIM "A" (IN MM)	DIM "B" (IN MM)	DIM "C" (IN MM)	DIM "X" (IN MM)	HOLES COUNT "H1"	HOLES COUNT "H2"	MATES WITH R/A PLUG ASSY P/N
465629311	G-1P-15S-G	1	15	30.71	31.71	8.28	18.06	08	15	464379311
465629312	G-2P-15S-G	2	15	36.21	37.21	13.78	23.56	16	15	464379312
465629313	G-3P-15S-G	3	15	41.71	42.71	19.28	29.06	24	15	464379313
465629314	G-4P-15S-G	4	15	47.21	48.21	24.78	34.56	32	15	464379314
465629315	G-5P-15S-G	5	15	52.71	53.71	30.28	40.06	40	15	464379315
465629316	G-1P-30S-G	1	30	36.71	37.71	8.28	24.06	08	30	464379316
465629317	G-2P-30S-G	2	30	42.21	43.21	13.78	29.56	16	30	464379317
465629318	G-3P-30S-G	3	30	47.71	48.71	19.28	35.06	24	30	464379318
465629319	G-4P-30S-G	4	30	53.21	54.21	24.78	40.56	32	30	464379319
465629320	G-5P-30S-G	5	30	58.71	59.71	30.28	46.06	40	30	464379320

THIS DRAWING CONTAINS INFORMATION THAT IS PROPRIETARY TO MOLEX ELECTRONIC TECHNOLOGIES, LLC AND SHOULD NOT BE USED WITHOUT WRITTEN PERMISSION

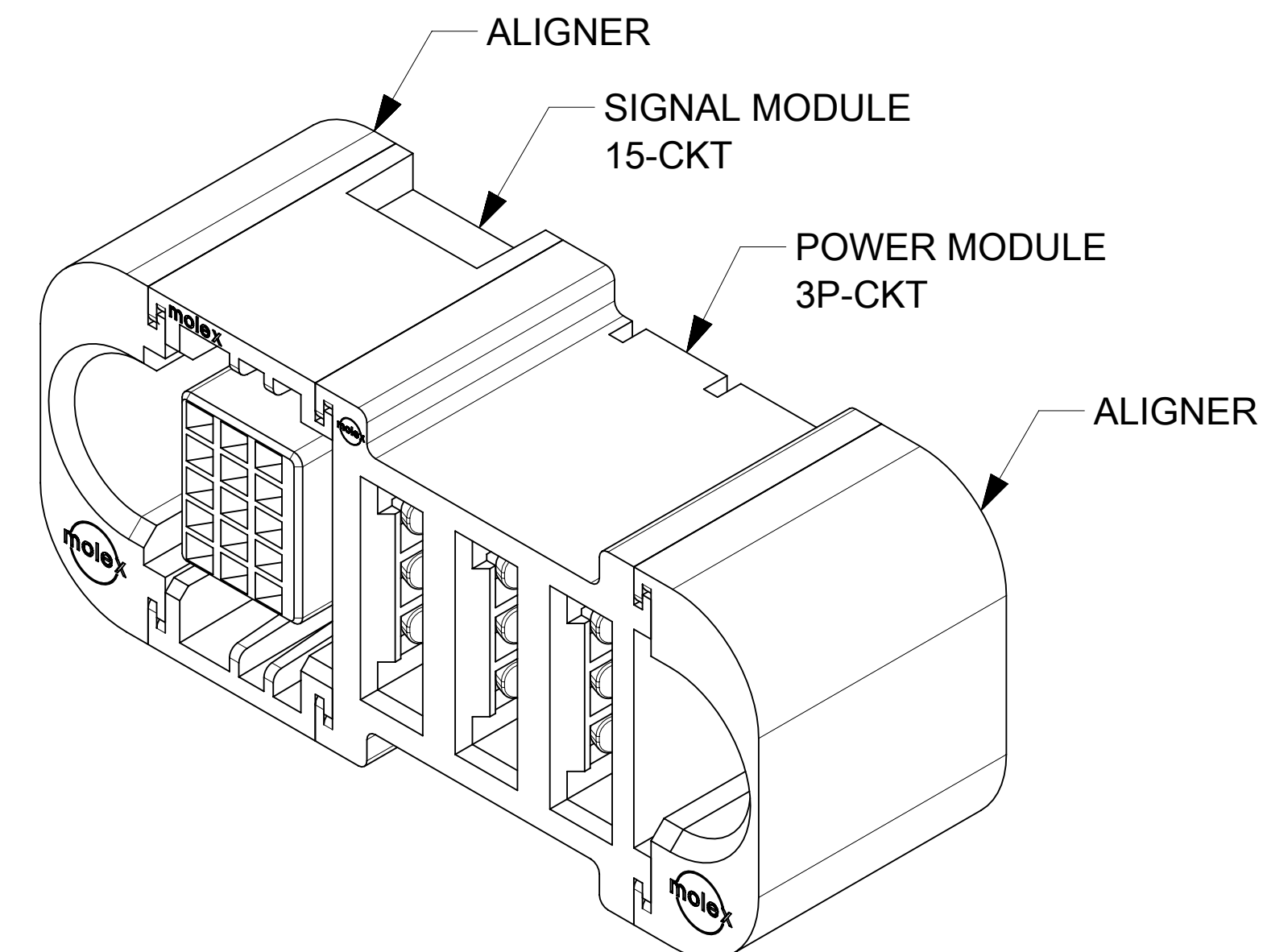
DIMENSION UNITS mm	SCALE 4:1	CURRENT REV DESC: ADDED ISOMETRIC VIEWS			
GENERAL TOLERANCES (UNLESS SPECIFIED)					
ANGULAR TOL	± 0.5°	EC NO: 689821	G-*P-*S-G VERT RECEP ASSY - TEN60 POWER FAMILY		
4 PLACES	±	DRWN: HARSHG 2021/12/13			
3 PLACES	±	CHK'D: GJEEVANSURES 2021/12/22	PRODUCT CUSTOMER DRAWING		
2 PLACES	± 0.13	APPR: HTHYAGARAJ 2022/02/14			
1 PLACE	± 0.25	INITIAL REVISION:	DOCUMENT NUMBER 465629320		
0 PLACES	±	DRWN: KSUTAR 2021/08/16			
DRAFT WHERE APPLICABLE MUST REMAIN WITHIN DIMENSIONS		APPR: HTHYAGARAJ 2021/10/21	DOC TYPE PSD	DOC PART 000	REVISION A1
THIRD ANGLE PROJECTION	DRAWING	SERIES	MATERIAL NUMBER	CUSTOMER	SHEET NUMBER
	D-SIZE	46562	SEE TABLE	GENERAL MARKET	2 OF 4



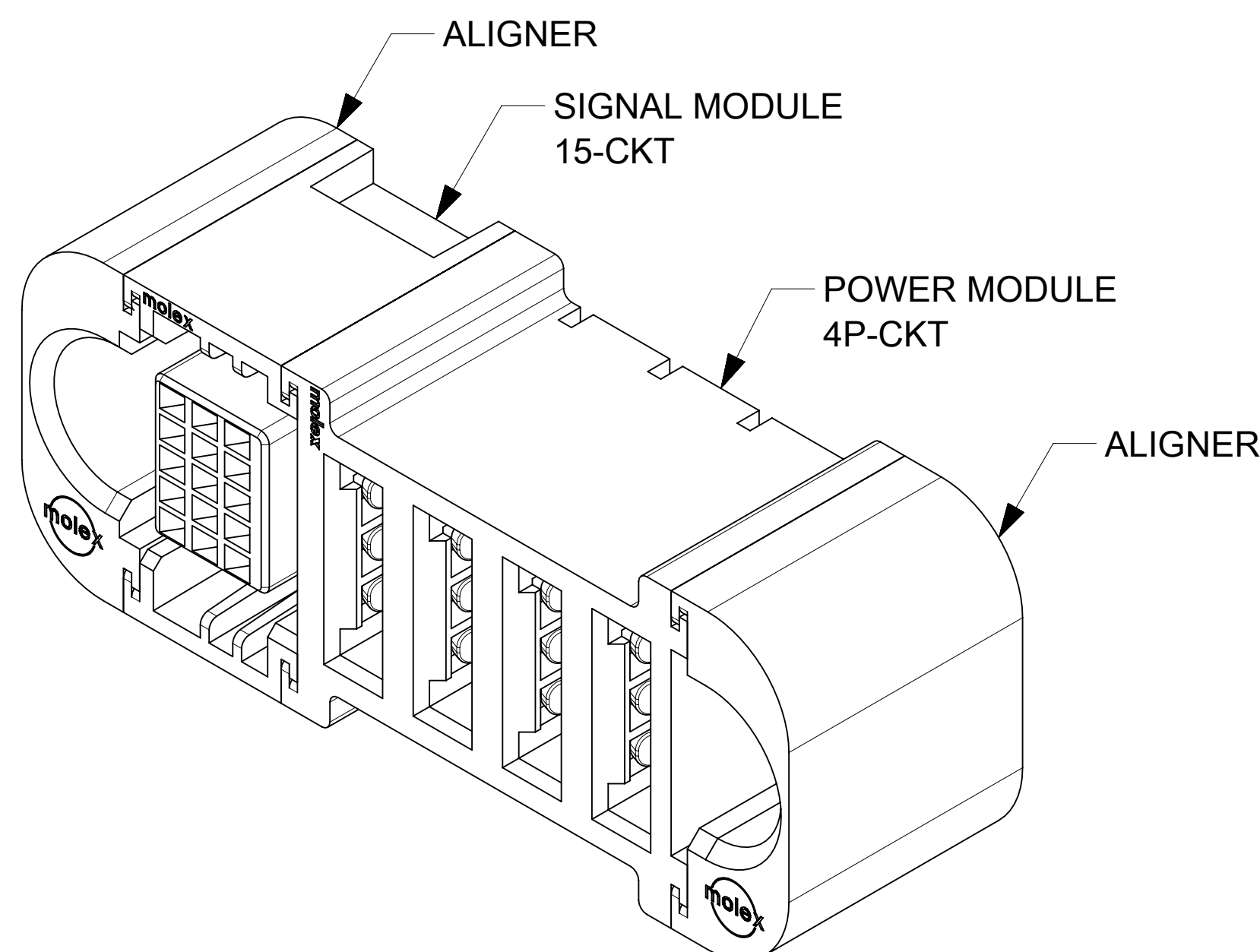
P/N : 46562-9311 (G-1P-15S-G)



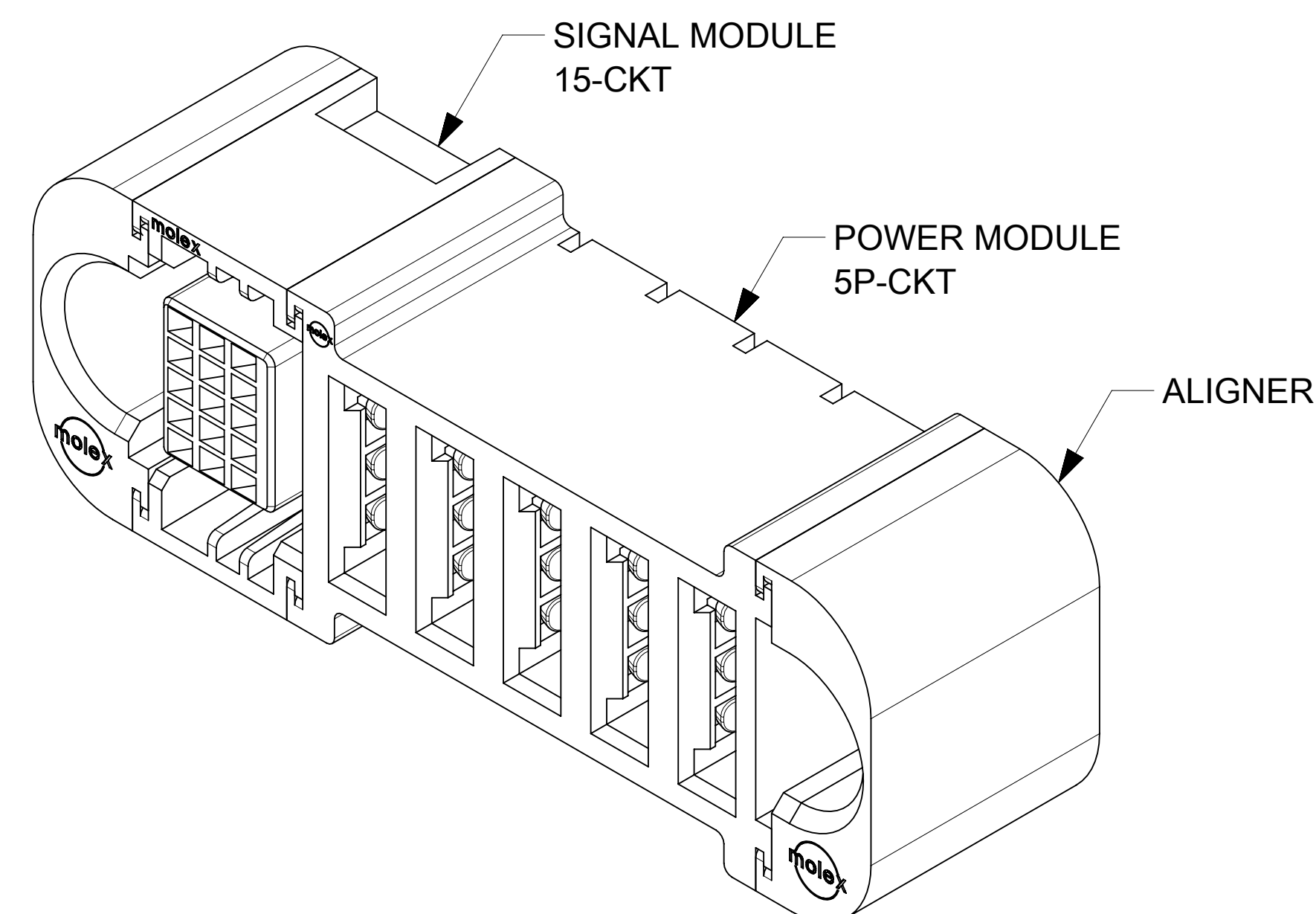
P/N : 46562-9312 (G-2P-15S-G)



P/N : 46562-9313 (G-3P-15S-G)



P/N : 46562-9314 (G-4P-15S-G)



P/N : 46562-9315 (G-5P-15S-G)

THIS DRAWING CONTAINS INFORMATION THAT IS PROPRIETARY TO MOLEX ELECTRONIC TECHNOLOGIES, LLC AND SHOULD NOT BE USED WITHOUT WRITTEN PERMISSION									
DIMENSION UNITS		SCALE		CURRENT REV DESC: ADDED ISOMETRIC VIEWS					
mm		4:1							
GENERAL TOLERANCES (UNLESS SPECIFIED)									
ANGULAR TOL ± 0.5°				EC NO: 689821					
4 PLACES ±				DRWN: HARSHG		2021/12/13			
3 PLACES ±				CHK'D: GJEEVANSURES		2021/12/22			
2 PLACES ± 0.13				APPR: HTHYAGARAJ		2022/02/14			
1 PLACE ± 0.25				INITIAL REVISION:					
0 PLACES ±				DRWN: KSUTAR		2021/08/16			
				APPR: HTHYAGARAJ		2021/10/21			
DRAFT WHERE APPLICABLE MUST REMAIN WITHIN DIMENSIONS				THIRD ANGLE PROJECTION		DRAWING		SERIES	
				D-SIZE		46562			
				MATERIAL NUMBER		CUSTOMER		SHEET NUMBER	
				SEE TABLE		GENERAL MARKET		3 OF 4	

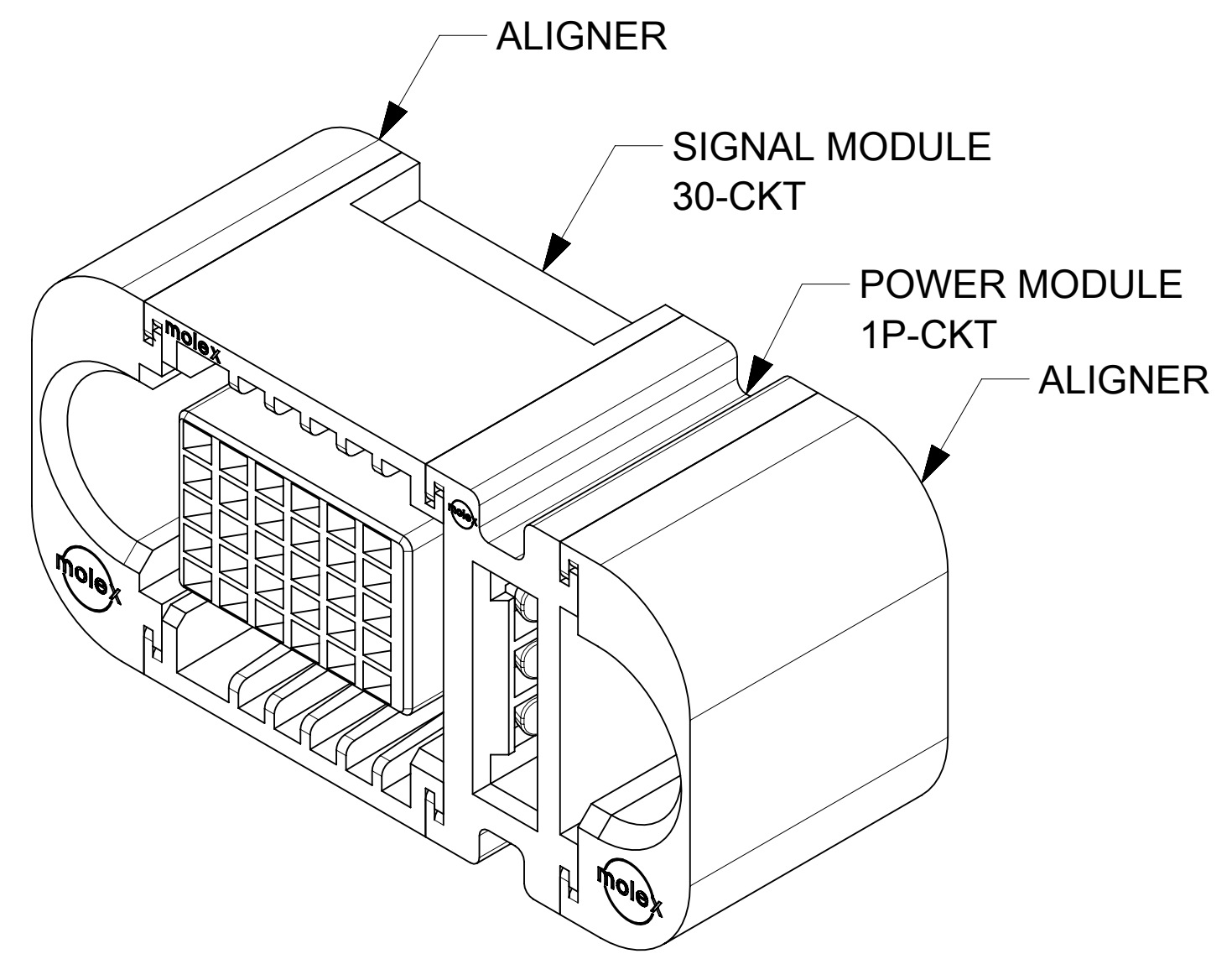
molex

G-*P-*S-G
VERT RECEP ASSY - TEN60 POWER FAMILY

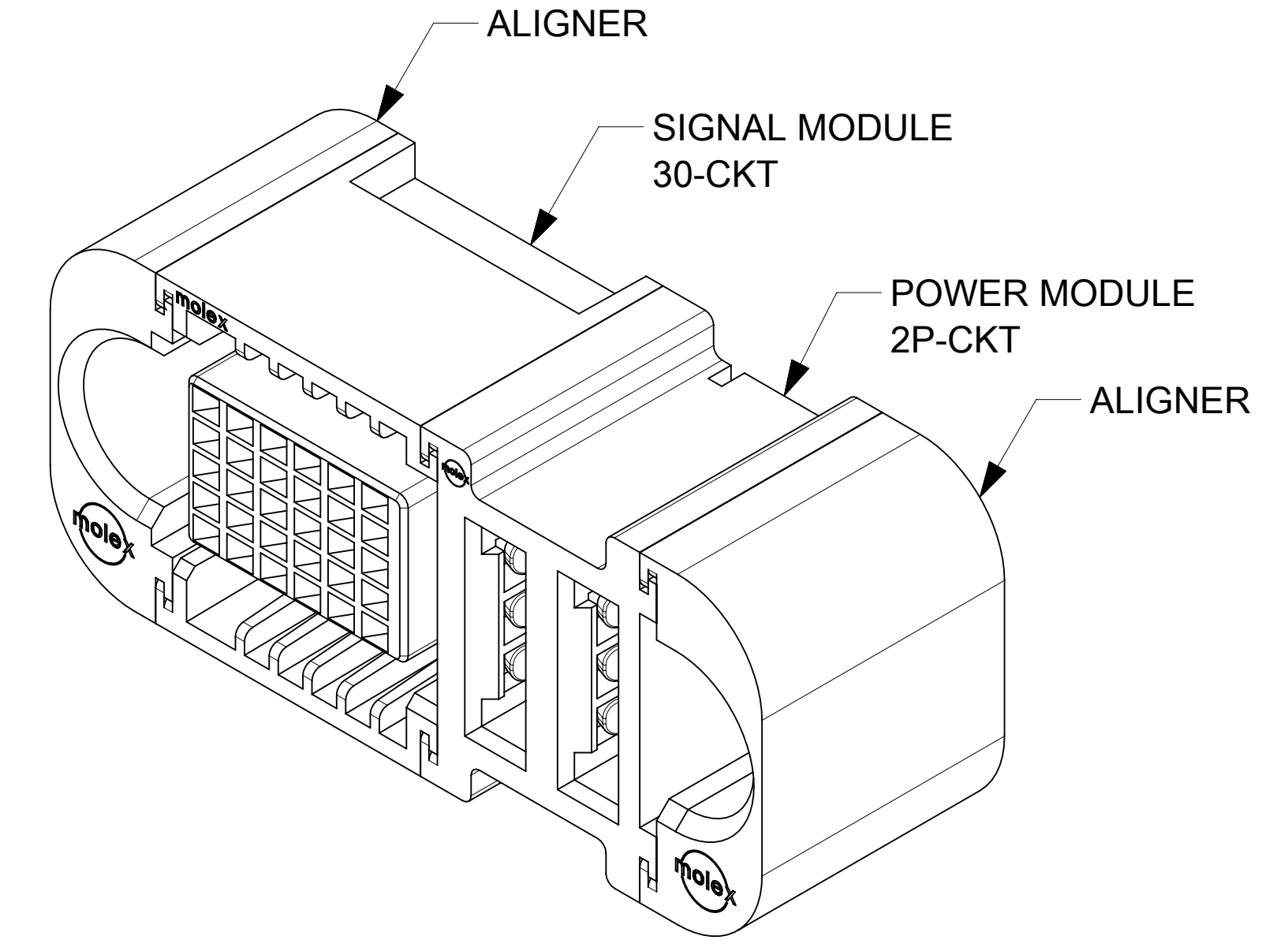
PRODUCT CUSTOMER DRAWING

DOCUMENT NUMBER DOC TYPE DOC PART REVISION

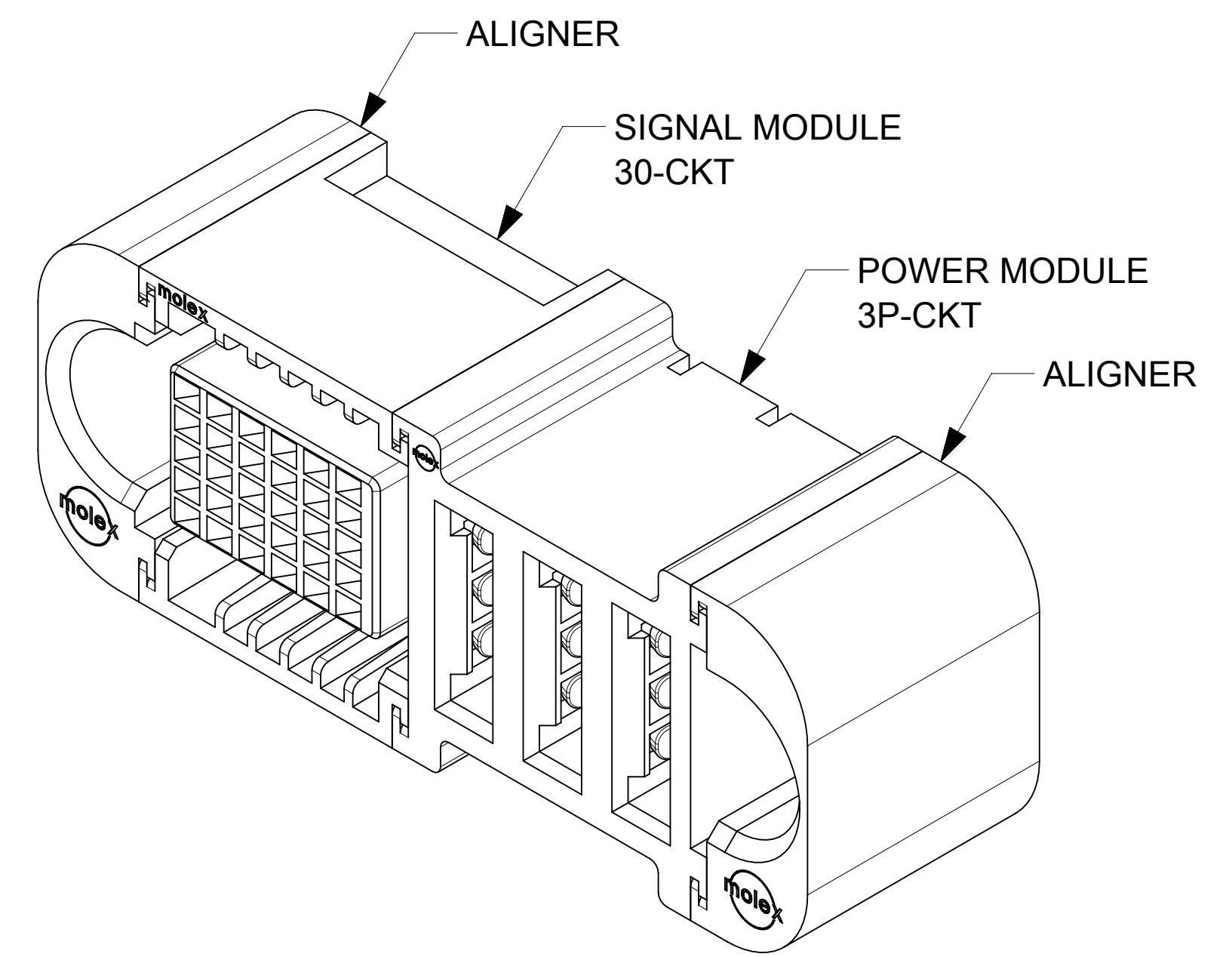
465629320 PSD 000 A1



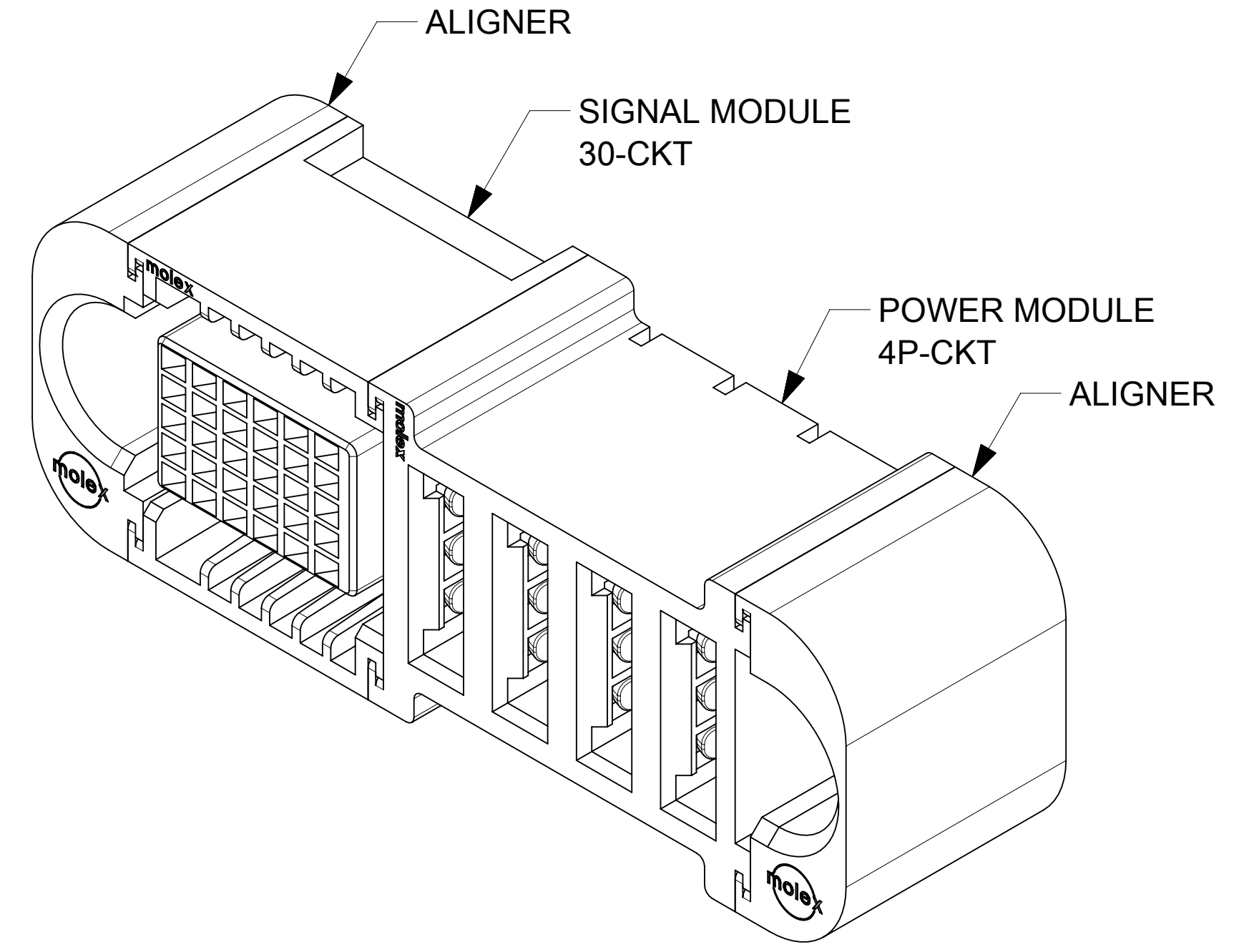
P/N : 46562-9316 (G-1P-30S-G)



P/N : 46562-9317 (G-2P-30S-G)



P/N : 46562-9318 (G-3P-30S-G)



P/N : 46562-9319 (G-4P-30S-G)

THIS DRAWING CONTAINS INFORMATION THAT IS PROPRIETARY TO MOLEX ELECTRONIC TECHNOLOGIES, LLC AND SHOULD NOT BE USED WITHOUT WRITTEN PERMISSION											
DIMENSION UNITS		SCALE		CURRENT REV DESC: ADDED ISOMETRIC VIEWS							
mm		4:1									
GENERAL TOLERANCES (UNLESS SPECIFIED)											
ANGULAR TOL		± 0.5°									
4 PLACES		±		EC NO: 689821							
3 PLACES		±		DRWN: HARSHG		2021/12/13					
2 PLACES		± 0.13		CHK'D: GJEEVANSURES		2021/12/22					
1 PLACE		± 0.25		APPR: HTHYAGARAJ		2022/02/14					
0 PLACES		±		INITIAL REVISION:							
				DRWN: KSUTAR		2021/08/16					
				APPR: HTHYAGARAJ		2021/10/21					
DRAFT WHERE APPLICABLE MUST REMAIN WITHIN DIMENSIONS				THIRD ANGLE PROJECTION		DRAWING		SERIES		MATERIAL NUMBER	
						D-SIZE		46562		SEE TABLE	
								CUSTOMER		SHEET NUMBER	
								GENERAL MARKET		4 OF 4	

molex

G-*P-*S-G
VERT RECEP ASSY - TEN60 POWER FAMILY

PRODUCT CUSTOMER DRAWING

DOCUMENT NUMBER	DOC TYPE	DOC PART	REVISION
465629320	PSD	000	A1