



# CCM05 SD, MMC & miniSD

For one of the most common card formats, we offer various reading options in a small and sturdy packaging. This includes the smaller standard of the miniSD, designed for the mobile communication needs.

## Features

- Accept both MMC and SD card (except 5502)
- Standard and reverse reading
- Long or short cover
- Smooth push push mechanism
- Card detect and write protect switches
- Front metal tab for better PCB tear-off resistance
- Front cover retention for temper resistant card entrance
- Low profile push push connectors (2.65 mm for SD, 2.10 mm for miniSD)

## Physical Data

Contacts	Phosphor bronze
Contact finish (towards the card)	Gold over nickel
Write protect contact	Copper alloy / nickel overall finish
Card detect contact	Copper alloy / nickel overall finish
Contact finish (towards the PCB)	Gold over nickel
Metal cover	Copper alloy / nickel plated overall
Cover ground tails	Gold plated over nickel
Molding	High temp. Thermoplastic, UL 94V-0

## Mechanical Data

Number of contacts	7 (MMC), 9 (SD), 10 (miniSD)
Operating life standard & reverse type	≥ 10,000 cycles
Operating life push-push type	≥ 5,000 cycles
Contact force (signal contact)	0.20 N min.
Card insertion force	40 N max.
Card withdrawal force	2 N min.
Vibration	According to IEC 512 part 4, test 6d. 10 to 500 Hz / 50m/s <sup>2</sup> / 3 axis / 2 hours per axis No discontinuity > 1 μs
Mechanical shock	Peak value 500 m/s <sup>2</sup> 11ms. 3 shock in each direction of each axis. No electrical discontinuity 1 μs.

## Contact Electrical Data

Voltage / ct	≤ 5 Vdc
Current / ct	≤ 500 mA
Contact resistance	≤ 100 milliohms
Voltage proof	≥ 500 Vrms
Insulation resistance	1000 MΩ min.

## Environmental Data

Operating temperature	-25°C / +85°C
Storage temperature	-40°C / +85°C
Soldering temperature	230°C / 5 sec according to MIL-STD-202F, method 208
Moisture resistance	40°C / 93% HR / 96 hours. According to MIL-STD-202F, method 103B, test condition B
Corrosion	48 hours according to IEC 512 test 11f

## Ordering Code

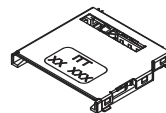
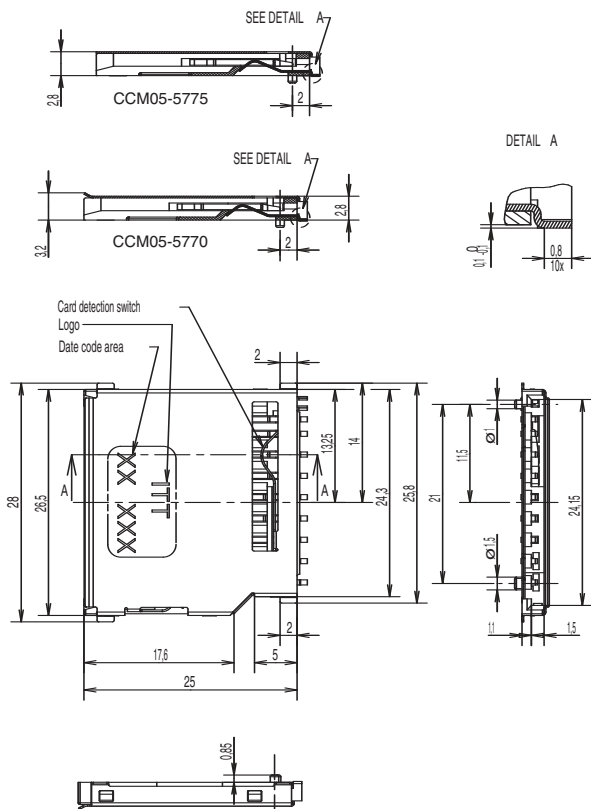
CCM05-5502 R901	MMC card 2 pegs short cover
CCM05-5761 R601	SD card & MMC stand off
CCM05-5770 T48	SD card & MMC 2 pegs with chamfer
CCM05-5772 T45	SD card & MMC 2 pegs push-push
CCM05-5773 T50	miniSD card
CCM05-5775 T48	SD card & MMC 2 pegs
CCM05-5776 T50	miniSD card push-push
CCM05-5777 T50	SD card & MMC 2 pegs short cover
CCM05-5778 T45	SD card 2 pegs reverse

## Packaging

Please look at part number designation to determine packaging:  
T = Tray R = tape on reel - please contact Customer Service for quantity.

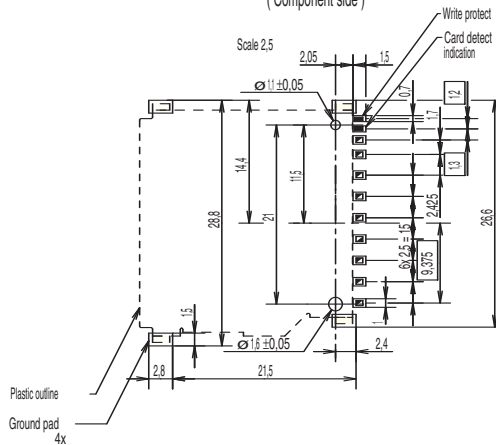


## CCM05-5770 / CCM05-5775

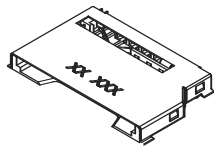
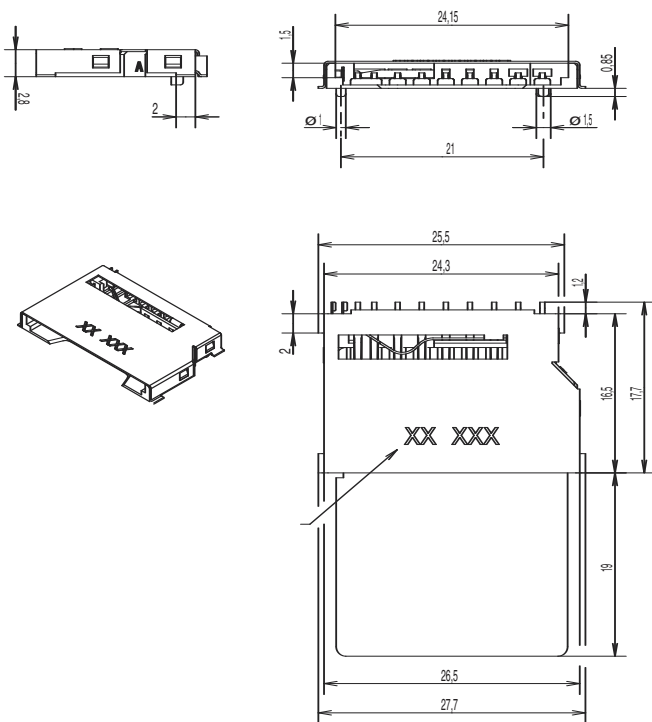


### RECOMMENDED PC BOARD LAYOUT

(Component side)

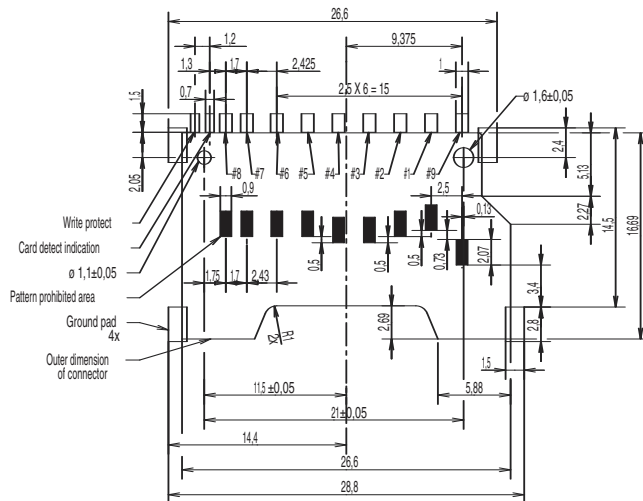


## CCM05-5777 (short cover)



### RECOMMENDED PC BOARD LAYOUT

(Component side)



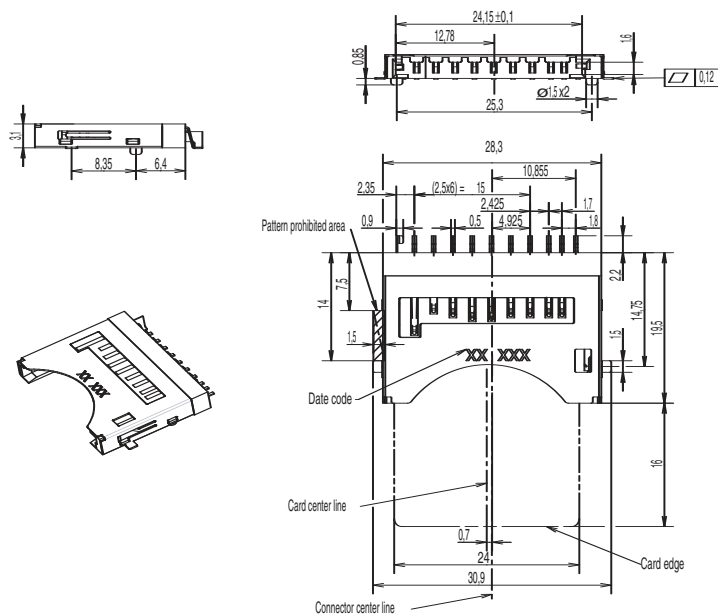
Dimensions are shown in mm  
Specifications and dimensions subject to change

[www.ittcannon.com](http://www.ittcannon.com)

Cannon

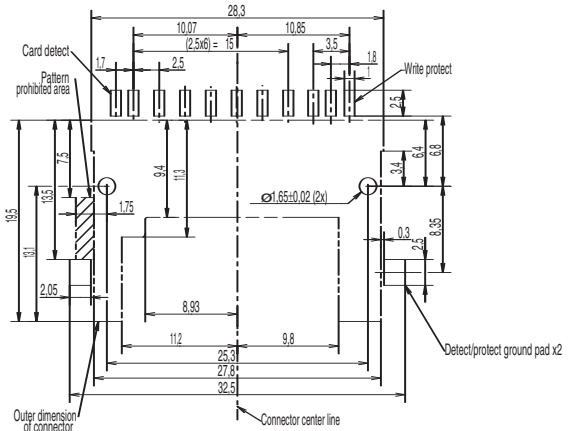
 **ITT Industries**  
Engineered for life

## CCM05-5778 (reverse)

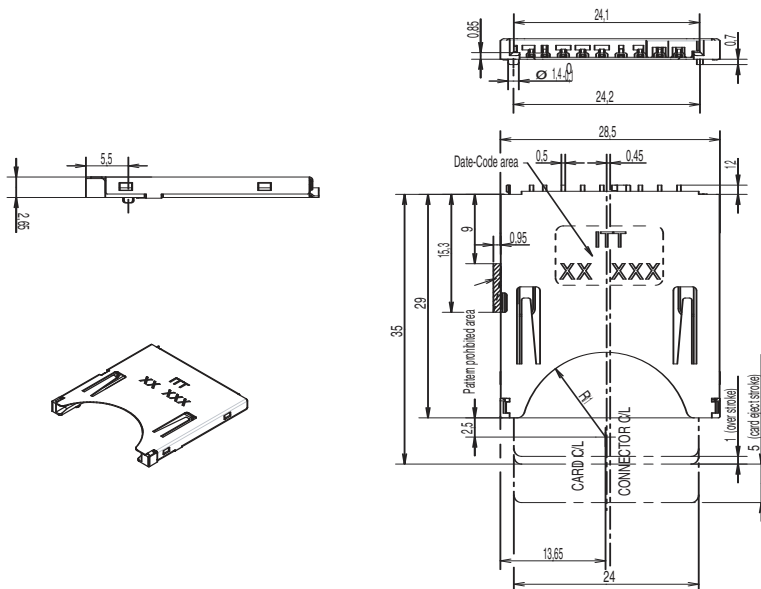


### RECOMMENDED PC BOARD LAYOUT

(Component side)

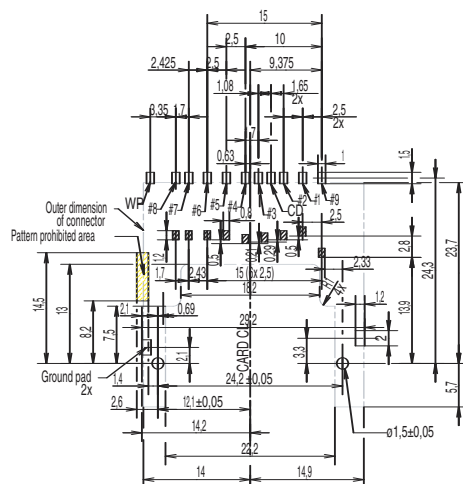


## CCM05-5772 (push push)

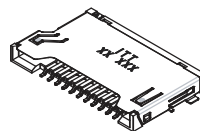
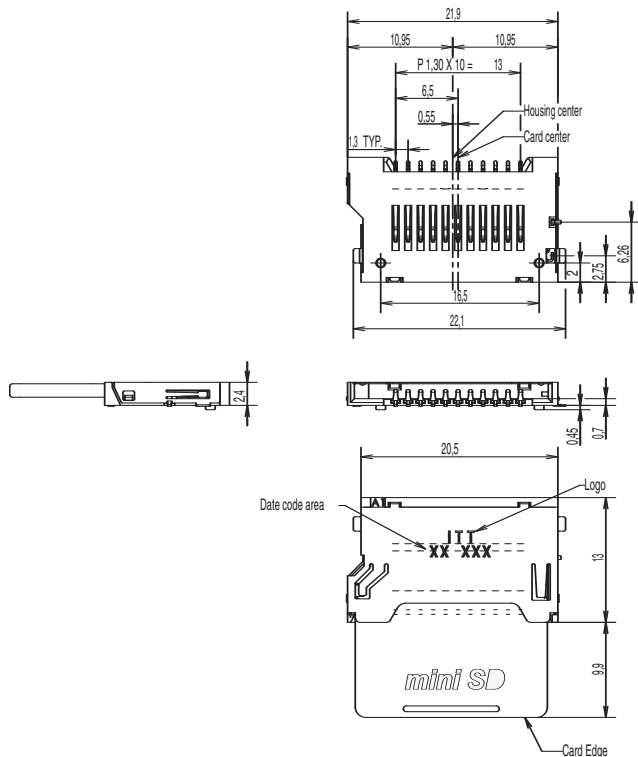


### RECOMMENDED PC BOARD LAYOUT

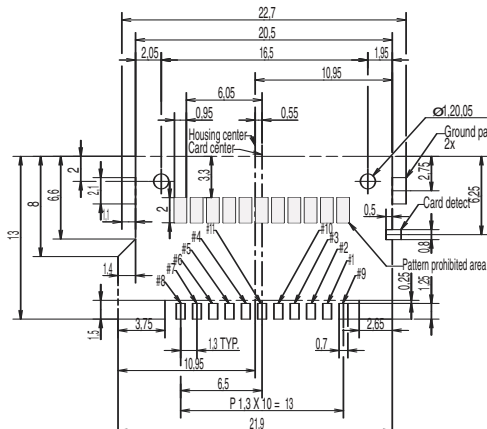
(Component side)



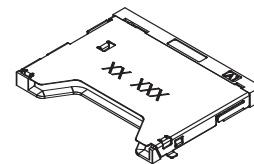
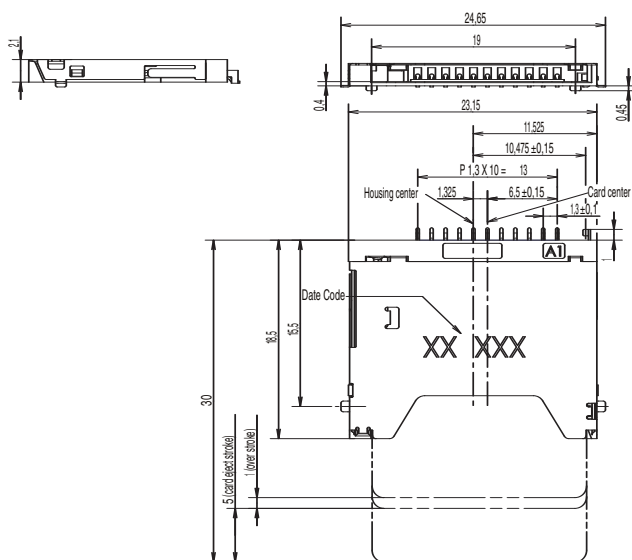
## CCM05-5773 (miniSD)



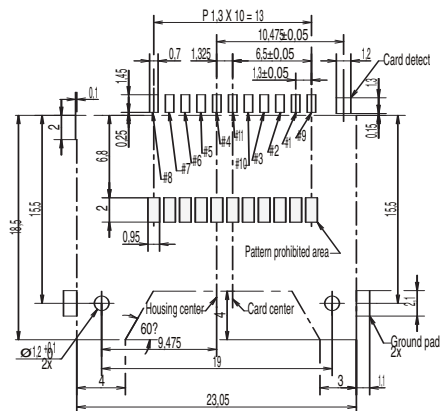
RECOMMENDED PC BOARD LAYOUT  
(Component side)



## CCM05-5776 (push push)



RECOMMENDED PC BOARD LAYOUT  
(Component side)



To learn more about our CCM05 SD & MMC product lines, please visit [www.ittcannon.com](http://www.ittcannon.com)

### Customer Support Locations

France: +33.(0) 1.60.24.51.51  
UK: +44.1256.311850

Germany: +49 (30) 43.9990  
USA: 800.635.5936

Hong Kong: +852.2732.2720