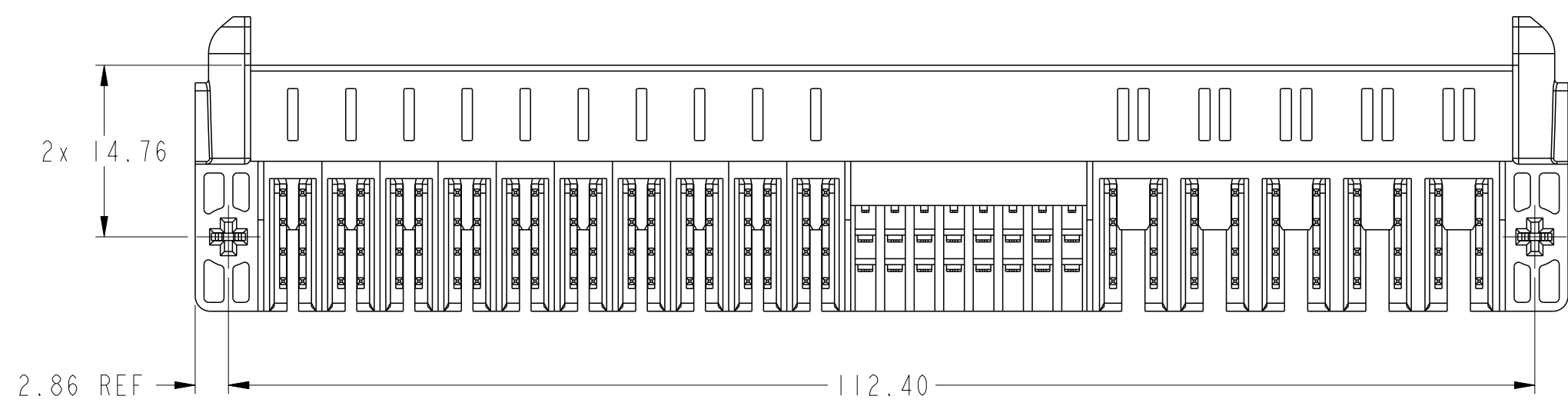
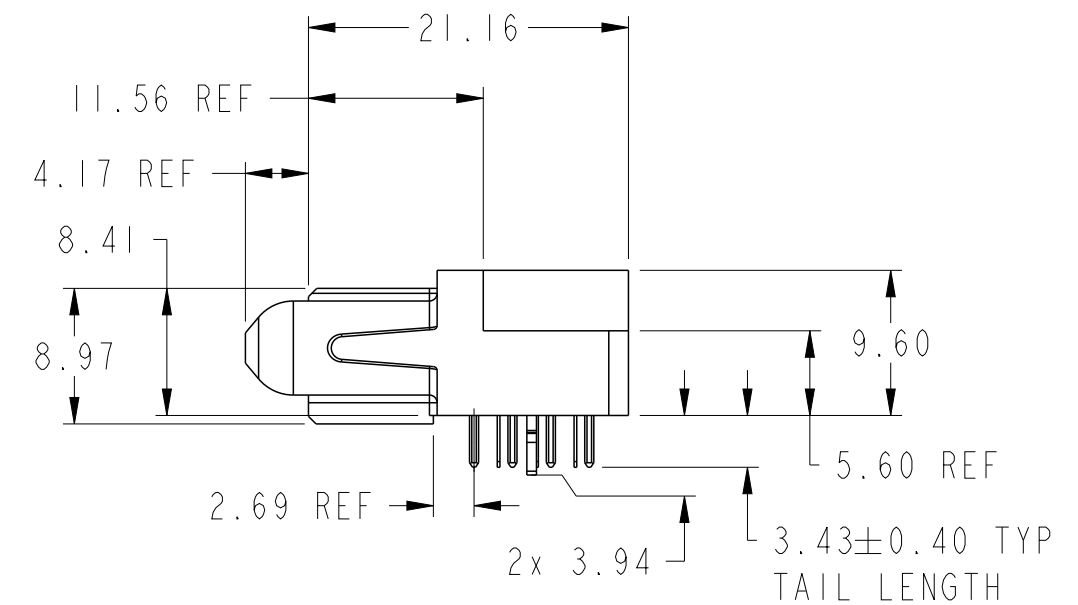
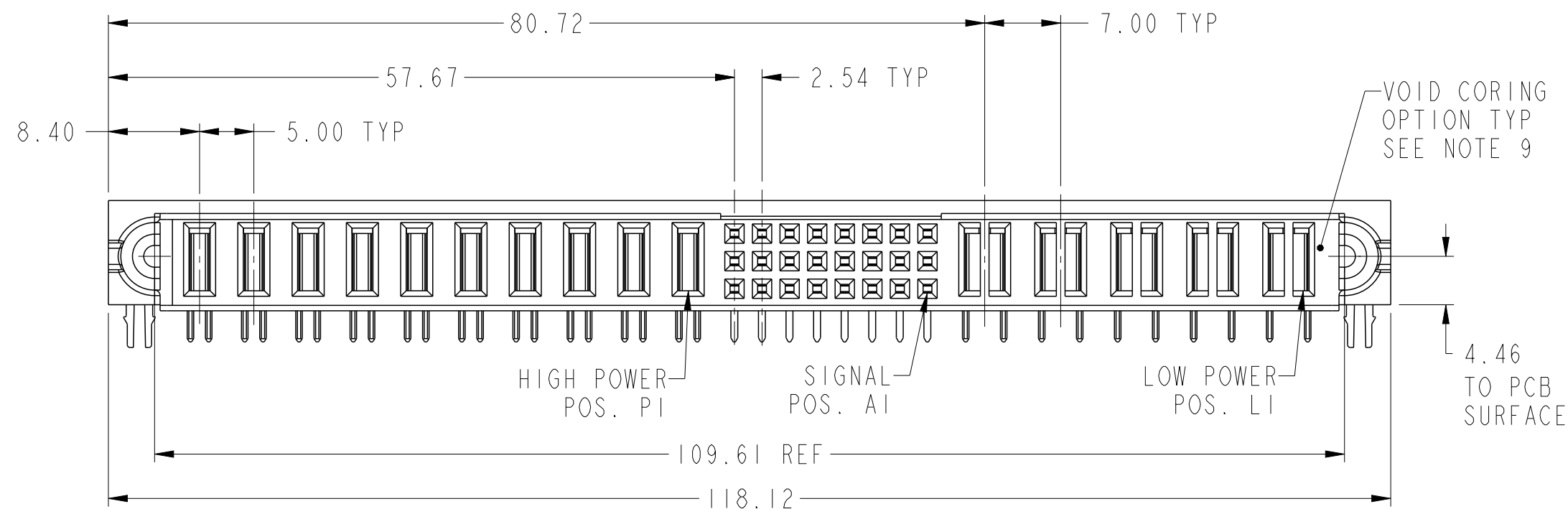
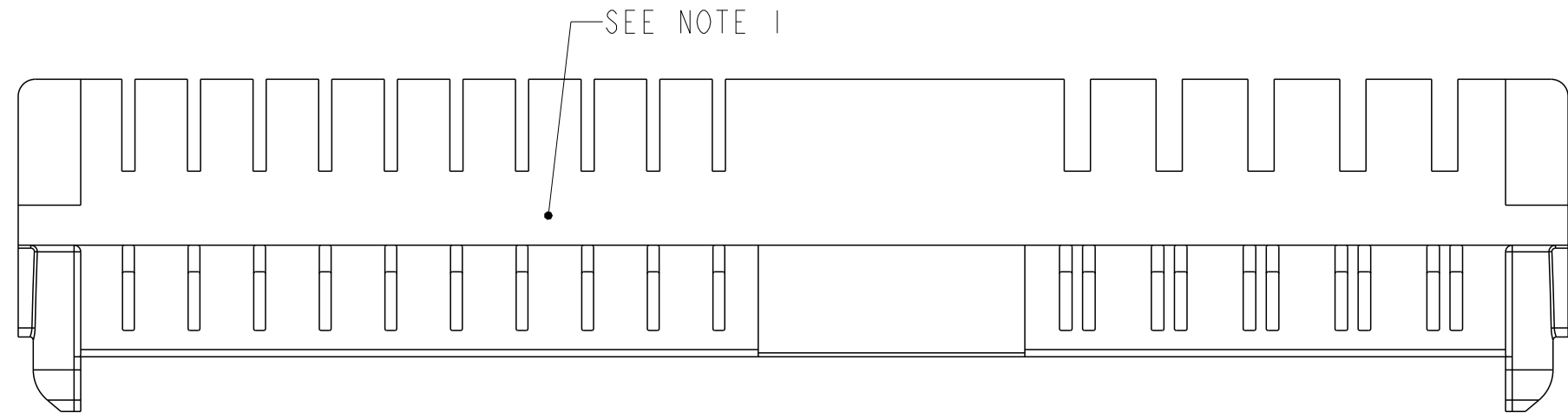


PRODUCT NUMBER	PLATING
10127401-00H2410LF	GCS
10127401-00H2410LF(GXT)	GXT
10127401-00H2410LF(AGT)	AGT



Amphenol FCI

© 2016 AFCI

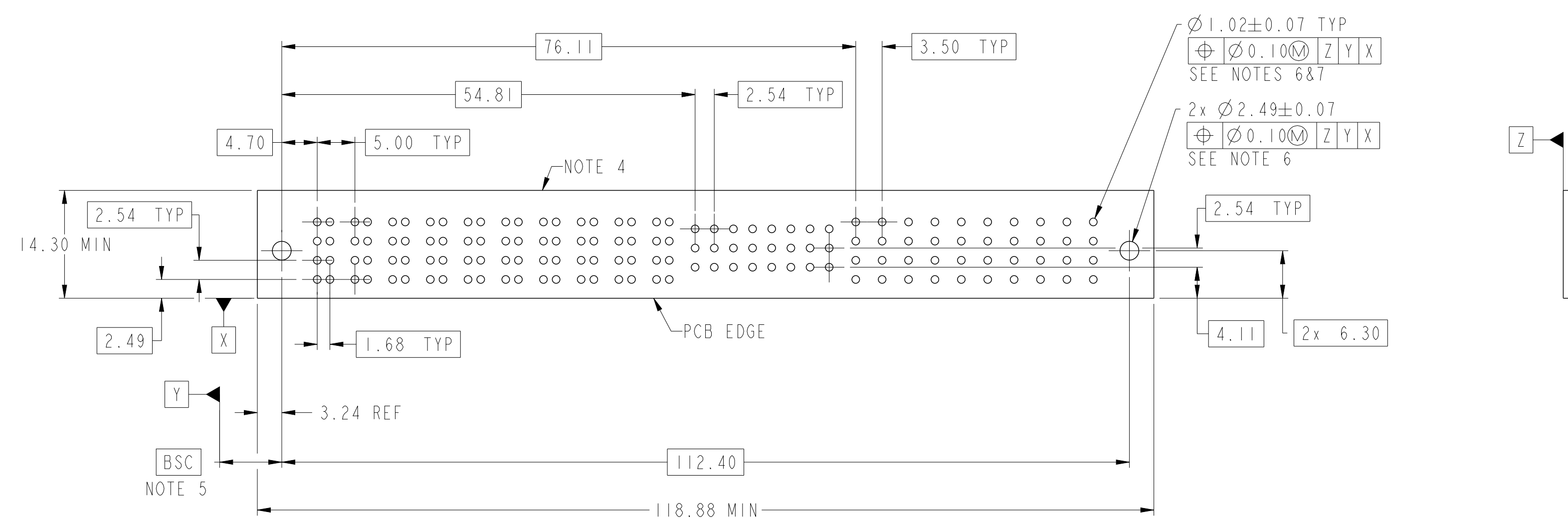
spec ref	-	dr	T Brungard	2013/10/26	projection	mm	size	A2	scale	2:1
tolerance std	ASME Y14.5	eng	Kaka Zhang	2016/08/04		mm	ecn no	ELX-DG-24605-1	rel level	Released
TOLERANCES UNLESS OTHERWISE SPECIFIED		chr	Fancy Zhang	2016/08/05						
surface		appr	Pei-Ming Zheng	2016/08/05						
linear: 0.X ±0.5, 0.XX ±0.25, 0.XXX ±0.130 angular: 0° ±2°		Amphenol FCI		title: 10LP+24S+10HP, SOLDER-TO-BOARD R/A RECEPTACLE, PwrBlade ULTRA		part no: 10127401-00H2410		rev: C		
ASME Y14.5		cat. no.		Product - Customer Special Drw		sheet 1 of 3				

PDS: Rev :C

STATUS:Released

Printed: Aug 05, 2016

I		2		3		4		5		6		7		8											
PRODUCT NO.		ROWS		HIGH POWER								SIGNAL				LOW POWER				CODE		DESCRIPTION			
10127401-00H2410LF (C) 10127401-00H2410LF (GXT) 10127401-00H2410LF (AGT)		C B A		E2 P10 P9 P8 P7 P6 P5 P4 P3 P2 P1								8 7 6 5 4 3 2 1				L10 L9 L8 L7 L6 L5 L4 L3 L2 L1				E1		RC LC E F G HA		RIGHT POWER CONTACT LEFT POWER CONTACT SIGNAL CONTACT SIGNAL CONTACT SIGNAL CONTACT HOLD DOWN	



Amphenol
FCi

© 2016 AFci

F

spec ref	-	dr	T Brungard	2013/10/26	projection	mm	size	A2	scale	2:1	
tolerance std	ASME Y14.5	eng	Kaka Zhang	2016/08/04	chr	Fancy Zhang	2016/08/05	ecn no	ELX-DG-24605-1		
TOLERANCES UNLESS OTHERWISE SPECIFIED		appr	Pei-Ming Zheng	2016/08/05	product family	PwrBlade ULTRA	rel level	Released			
surface	linear	0.X	±0.5	Amphenol FCi	title		10LP+24S+10HP, SOLDER-TO-BOARD	cat. no.	10127401-00H2410	rev	C
		0.XX	±0.25		R/A RECEPTACLE, PwrBlade ULTRA						
	angular	0°	±2°								
ASME Y14.5				Product - Customer Special Drw		sheet 2 of 3					

PDS: Rev :C

STATUS:Released

Printed: Aug 05, 2016

PRODUCT NUMBER	PLATING
10127401-00H2410LF	GCS
10127401-00H2410LF(GXT)	GXT
10127401-00H2410LF(AGT)	AGT



NOTES:

- ① "FCI", PART NUMBER AND DATE CODE TO BE MARKED ON THIS SURFACE. THE P/N CAN BE OMITTED IF THERE IS NOT ENOUGH SPACE ON THIS SURFACE.
2. MATERIALS:
HOUSING: GLASS FILLED WITH HIGH TEMP POLYAMIDE, UL94V-0.
POWER CONTACTS: COPPER ALLOY.
SIGNAL CONTACTS: COPPER ALLOY.
HOLD DOWN: COPPER ALLOY.
3. PLATING SPECIFICATION: FCI 10135186.
- ④ DENOTES CONNECTOR KEEP OUT ZONE.
- ⑤ DATUM AND BASIC DIMENSION ARE ESTABLISHED BY CUSTOMER.
- ⑥ ALL HOLE DIAMETERS ARE FINISHED HOLE SIZES.
- ⑦ 1.150±0.025mm DRILLED HOLE PLATED WITH 7.62µm MIN Sn OVER 25.4µm-76.2µm Cu PLATING TO ACHIEVE A 1.02±0.07mm FINISHED HOLE.
8. PRODUCT SPECIFICATION: FCI GS-12-1176.
APPLICATION SPECIFICATION: FCI GS-20-0389.
PRODUCT PACKAGE SPECIFICATION: FCI GS-14-2354.
- ⑨ THE VOID CORING BETWEEN POWER MODULES, SIGNAL MODULES AND END MODULES ARE OPTIONAL AND THE SHAPE MAY BE DIFFERENT TO OPTIMIZE THE MOLDING PROCESS. THE VOID CORING WILL NOT EFFECT THE PRODUCT FUNCTION.
10. A△SYMBOL WILL BE NEXT TO ANY DIMENSION, VIEW, OR NOTE WHICH HAS BEEN MODIFIED WITH THE CURRENT DRAWING REVISION.

Amphenol FCI

© 2016 AFCI

spec ref	-	dr	T Brungard	2013/10/26	projection	mm	size	A2	scale	2:1	
tolerance std	-	eng	Kaka Zhang	2016/08/04			ecn no	ELX-DG-24605-1			
ASME Y14.5	TOLERANCES UNLESS OTHERWISE SPECIFIED	chr	Fancy Zhang	2016/08/05			rel level	Released			
surface	ASME Y14.5	appr	Pei-Ming Zheng	2016/08/05			product family	PwrBlade ULTRA			
linear	0.X ±0.5 0.XX ±0.25 0.XXX ±0.130	Amphenol FCI		title	10LP+24S+10HP, SOLDER-TO-BOARD R/A RECEPTACLE, PwrBlade ULTRA			dwg no	10127401-00H2410		
angular	0° ±2°			cat. no.	-			Product - Customer Special Drw	sheet 3 of 3		

PDS: Rev :C

STATUS:Released

Printed: Aug 05, 2016