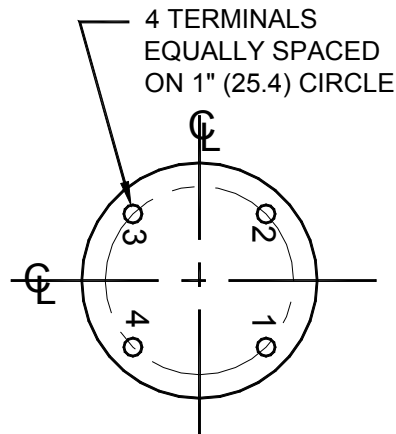
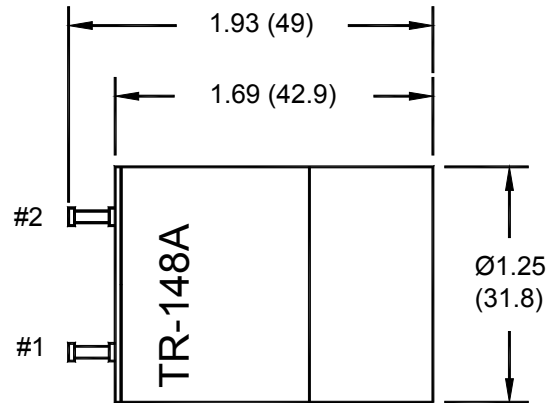


## TR-148A EXTERNAL TRIGGER TRANSFORMER



DIMENSIONS ARE IN INCHES (MILLIMETERS)



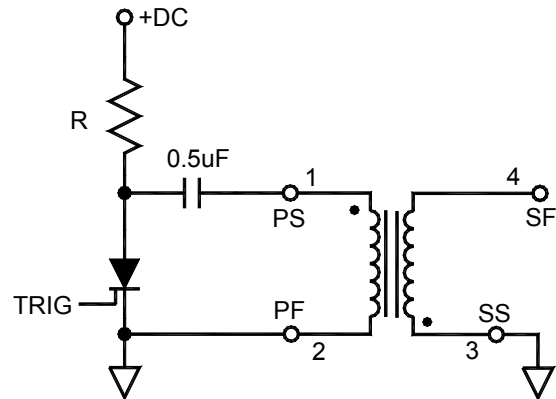
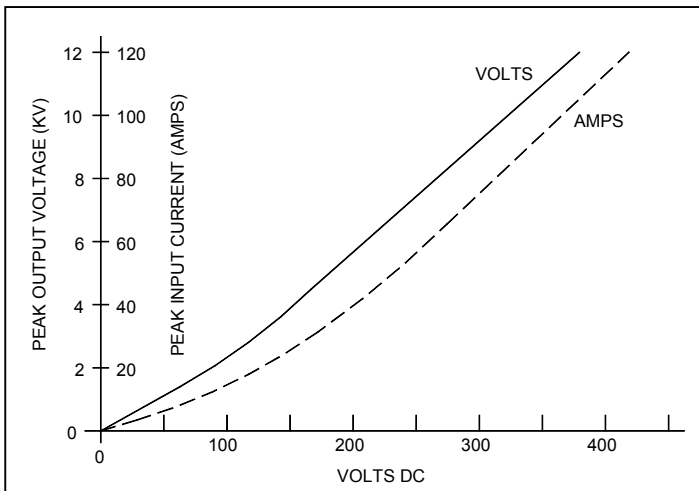
WEIGHT = 0.22 LB

### OUTLINE & MOUNTING DIMENSIONS

### SPECIFICATIONS

Maximum DC input	400 Volts
Primary peak current	120 Amps
Turns ratio (secondary to primary)	30:1
Hold-off voltage (secondary to primary)	2 KV DC

Output voltage	12 KV
Rise time 10%-90%	0.35 uSec max.
Pulse width 50% amplitude	0.5 uSec min.



TYPICAL CIRCUIT

### INPUT VS. OUTPUT

For more information e-mail us at [opto@perkinelmer.com](mailto:opto@perkinelmer.com) or visit our website at [optoelectronics.perkinelmer.com](http://optoelectronics.perkinelmer.com)  
All values are nominal; specification subject to change without notice.

Worldwide Headquarters  
PerkinElmer Optoelectronics  
44370 Christy Street  
Fremont, CA 94538  
Telephone: +1 510-979-6500  
Toll Free (North America): +1 800-775-OPTO (6786)  
Fax: +510-687-1140  
Email: [opto@perkinelmer.com](mailto:opto@perkinelmer.com)

Europe Headquarters  
PerkinElmer Optoelectronics  
Wenzel-Jaksch-Str. 31  
D-65199 Wiesbaden, Germany  
Telephone: +49 611 492 430  
Fax: +49 611 492 165  
Email: [opto.Europe@perkinelmer.com](mailto:opto.Europe@perkinelmer.com)

Asia Headquarters  
PerkinElmer Optoelectronics  
47 Ayer Rajah Crescent #06-12  
Singapore 139947  
Telephone: +65 6770 2022  
Fax: +65 6775 1008  
Email: [opto.Asia@perkinelmer.com](mailto:opto.Asia@perkinelmer.com)

