

THIS DRAWING IS UNPUBLISHED.

RELEASED FOR PUBLICATION

20

© COPYRIGHT 20 BY -

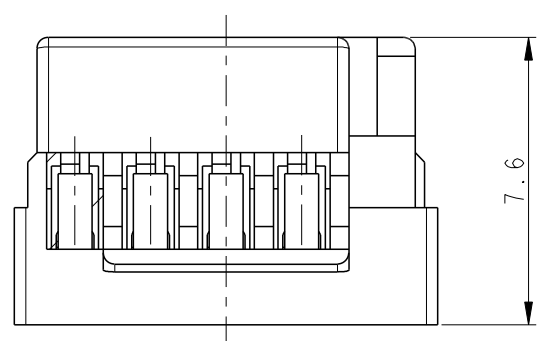
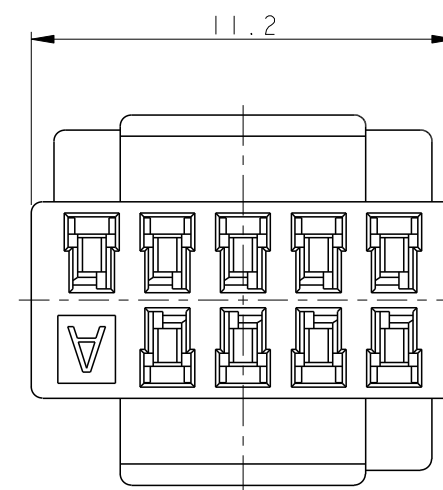
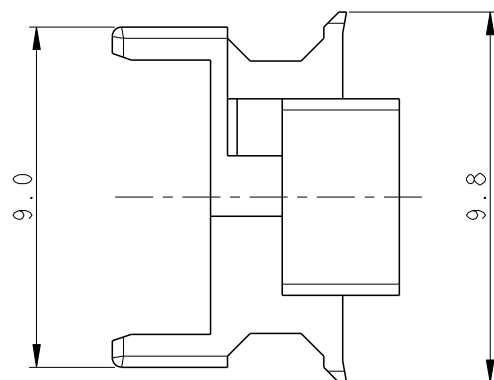
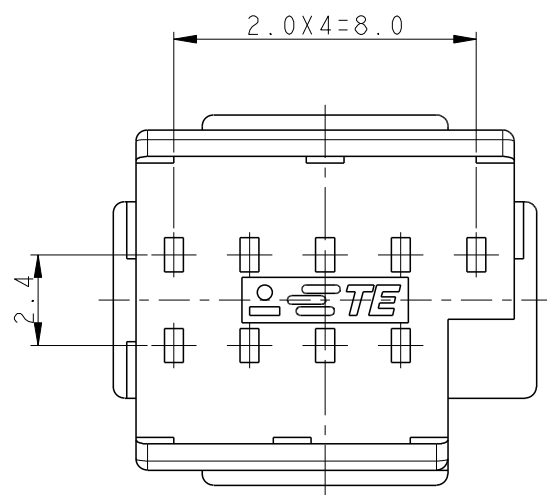
ALL RIGHTS RESERVED.

LOC
DS

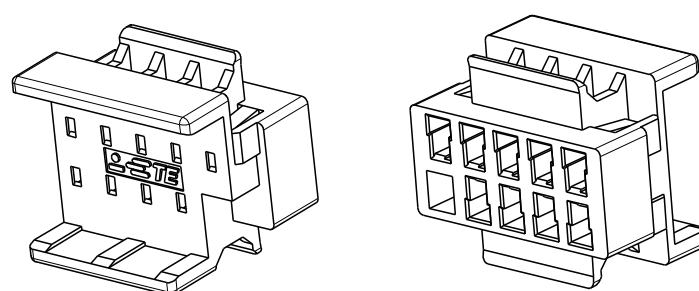
DIST
-

REVISIONS

| P | LTR | DESCRIPTION | DATE | DWN | APVD |
|---|-----|---------------------------|----------|-----|------|
| | AI | REVISED PER ECR-12-018350 | 26OCT'12 | SC | JK |




NOTE:
 1. APPLICABLE POST CONTACT P/N: 2069391-2
 2. MOUNTING FLANGE (BASE ASSY) P/N: 2108418-1
 3. COUNTER P/Ns
 - CABLE I/O KIT P/N: 2201825-1
 - REC. CONTACT P/N: 2174065-4



SCALE 3:1

| | |
|-----------|-------|
| 2108422-1 | BLACK |
| P/N | COLOR |

| | | | | | |
|---|--|------------------------------|---|--------------------|-------------------------|
| THIS DRAWING IS A CONTROLLED DOCUMENT. | | DWN SC KIM 24AUG2012 |  TE Connectivity | | |
| DIMENSIONS: mm | | CHK BW KANG 24AUG2012 | | | |
| TOLERANCES UNLESS OTHERWISE SPECIFIED: | | APVD JK SONG 24AUG2012 | NAME ENCODER 9P BASE ENTRY HSG | | |
| 0 PLC ± 1 PLC ± ±0.3 2 PLC ± ±0.3 3 PLC ± ±0.3 4 PLC ± ±0.3 ANGLES ± ± FINISH - | | PRODUCT SPEC 108-61148 | RESTRICTED TO | | |
| MATERIAL PA66 UL94V-0 | | APPLICATION SPEC 114-5446 | SIZE A3 | CAGE CODE 00779 | DRAWING NO C-2108422 |
| | | WEIGHT 0.283g | SCALE 5:1 | | |
| | | CUSTOMER DRAWING | SHEET 1 OF 1 REV AI | | |