

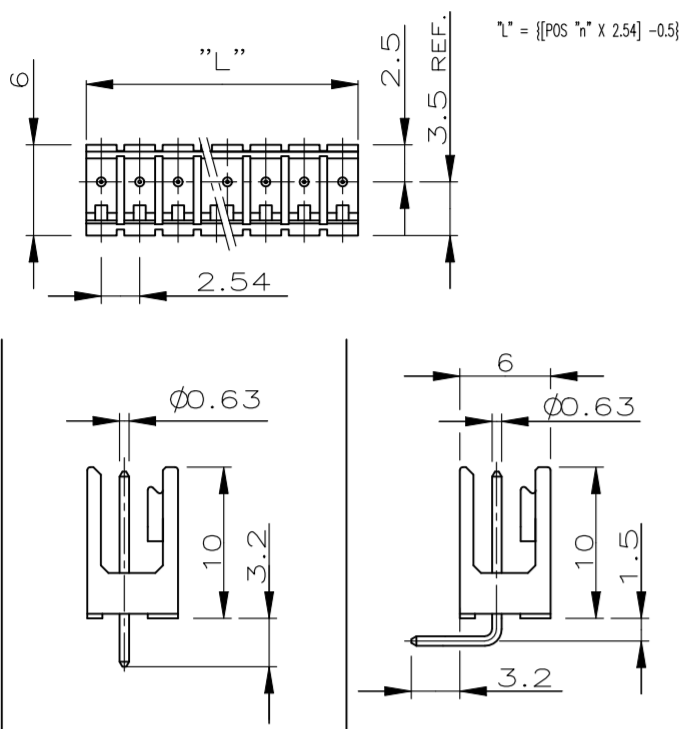
THIS DRAWING IS UNPUBLISHED. RELEASED FOR PUBLICATION
 © COPYRIGHT - By - ALL RIGHTS RESERVED.

| REVISIONS | | | | | |
|-----------|-----|---|-----------|-----|------|
| P | LTR | DESCRIPTION | DATE | DWN | APVD |
| Y4 | | NOTE 1 0.76µm PLATING UPDATE (PdNi+AuFLASH) | 16JUL2023 | BGC | PS |

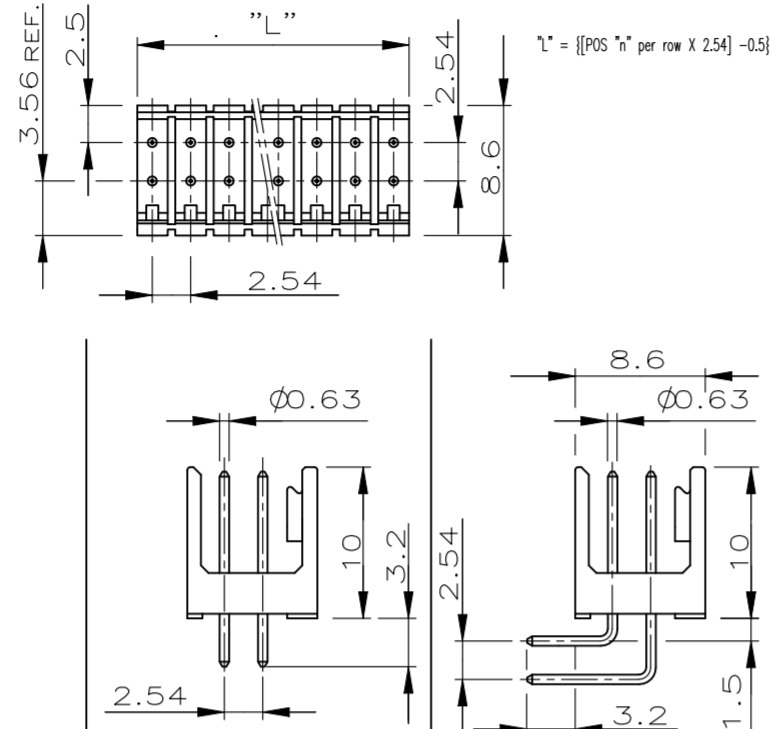
MODU II SHROUDED POSTS

MODU II Stiftleiste

SINGLE ROW 3 TO 50 POS.
Einreihig 3 bis 50 pol.

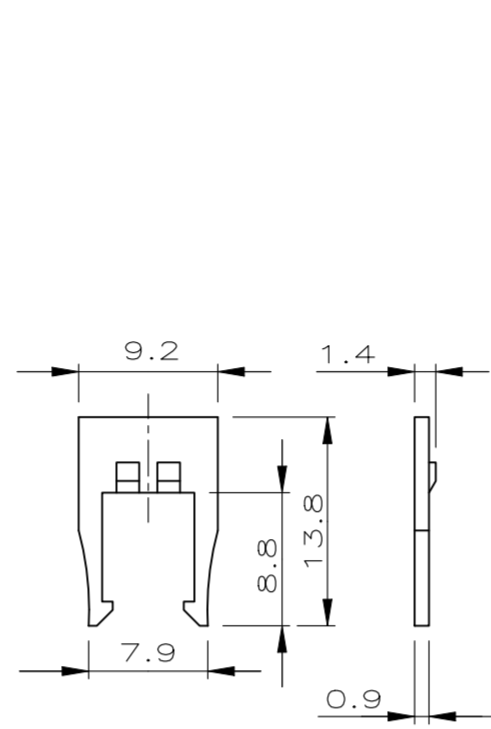


DOUBLE ROW 2x3 TO 2x50 POS.
Zweireihig 2x3 bis 2x50 pol.



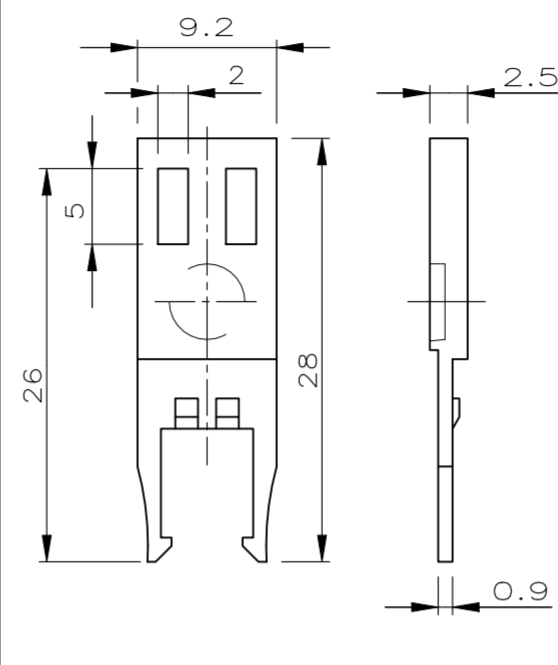
RETENTION PLUG

Rastgabel



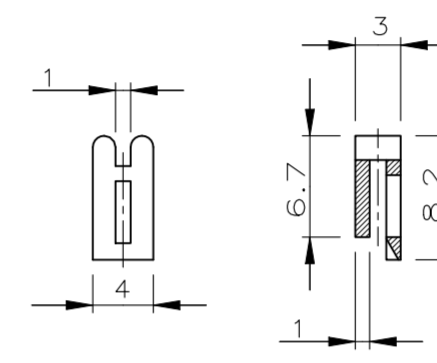
RETENTION PLUG WITH STRAIN RELIEF

Rastgabel mit Zugentlastung



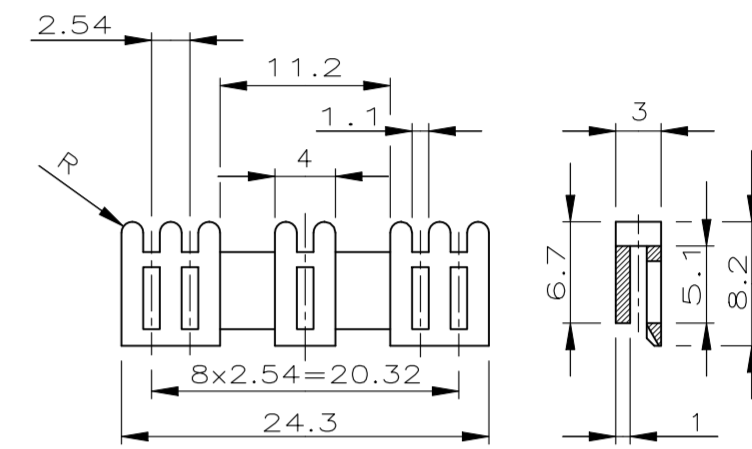
KEYING PLUG

Kodierstift



KEYING BLOCK

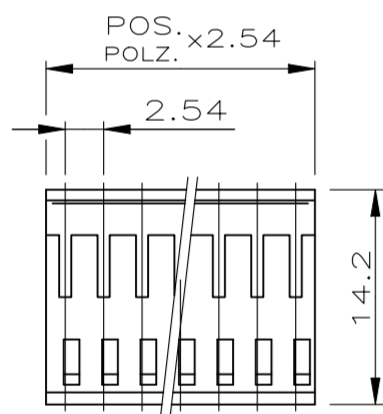
Kodierblock



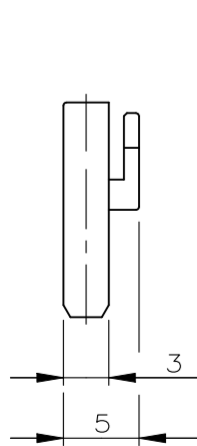
| POS. | PART NUMBERS | PART NUMBERS | POS. | PART NUMBERS | PART NUMBERS | PART NUMBERS | COLOUR | PART NUMBERS | COLOUR | PART NUMBERS | COLOUR | PART NUMBERS | COLOUR |
|-------------------|----------------|----------------|-------------------|----------------|----------------|--------------|--------|--------------|--------|--------------|--------|--------------|--------|
| 3 (2) TO 50 | △ 826467-3 BIS | △ 826468-3 BIS | 2x3 TO 2x50 | △ 826469-3 BIS | △ 826470-2 BIS | 926477-1 | BLACK | 926478-1 | BLACK | 926498-1 | BLACK | 927607-1 | BLACK |
| | 5-826467-0 | 5-826468-0 | | 5-826469-0 | 5-826470-0 | 926477-2 | GREEN | 926478-2 | GREEN | 926498-2 | GREEN | 927607-2 | GREEN |
| | △ 827295-2 BIS | △ 827296-3 BIS | | △ 827297-3 BIS | △ 827298-3 BIS | 926477-3 | RED | 926478-3 | RED | 926498-3 | RED | 927607-3 | RED |
| | 5-827295-0 | 5-827296-0 | | 5-827297-0 | 5-827298-0 | | | | | | | | |

MODU IV RECEPTACLE HOUSING

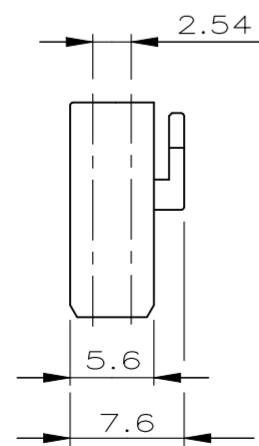
MODU IV Buchsengehäuse



SINGLE ROW 2 TO 36 POS.
Einreihig 2 bis 36 polig.

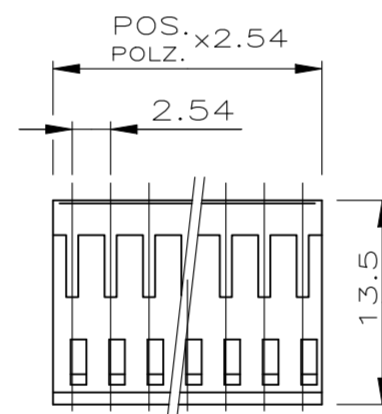


DOUBLE ROW 2x2 TO 2x36 POS.
Zweireihig 2x2 bis 2x36 polig

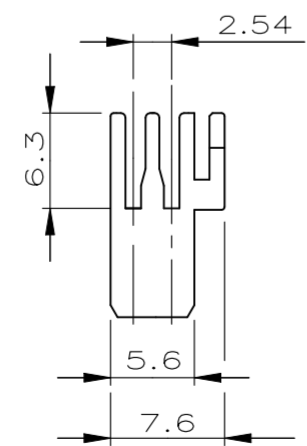


FFC HOUSING

FFC Gehäuse

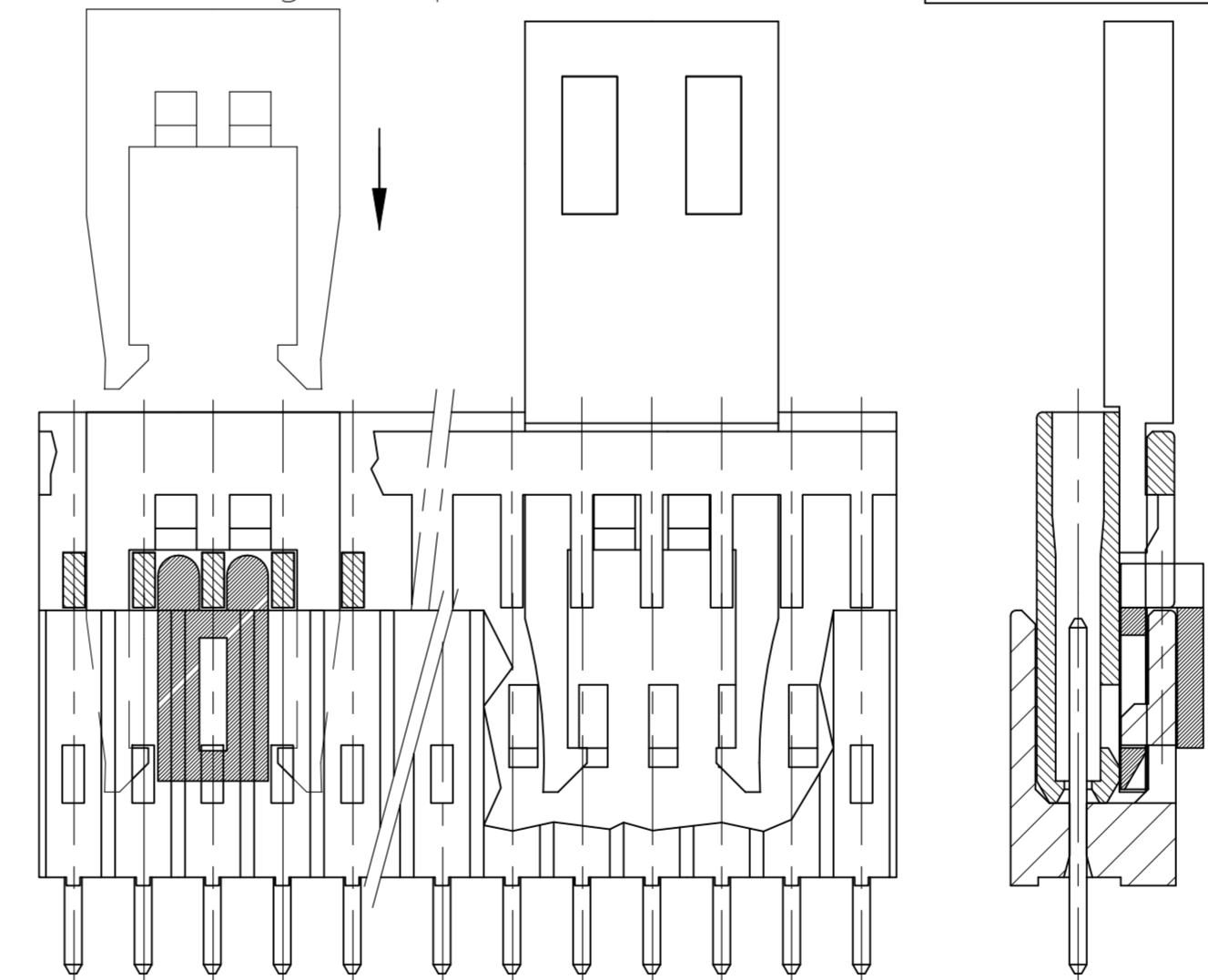


DOUBLE ROW 2x3 TO 2x13 POS.
Zweireihig 2x3 bis 2x13 polig



| POS. | PART NUMBERS | POS. | PART NUMBERS | POS. | PART NUMBERS |
|---------------|------------------------|-------------------|------------------------|-------------------|------------------------|
| 2 TO 36 | 926475-2 3-926475-6 | 2x2 TO 2x36 | 926476-2 3-926476-6 | 2x3 TO 2x13 | 927009-3 1-927009-3 |

ASSEMBLED COMPONENTS (FOR EXAMPLE)



THIS DRAWING IS A CONTROLLED DOCUMENT.

| | | |
|------------------|-----------------|-----------|
| DWN | A.HO | 08MAR1985 |
| CHK | M.SCHAARSCHMIDT | 02MAY1985 |
| APVD | - | - |
| PRODUCT SPEC | - | - |
| APPLICATION SPEC | - | - |
| WEIGHT | - | - |
| CUSTOMER DRAWING | - | - |

STE TE Connectivity

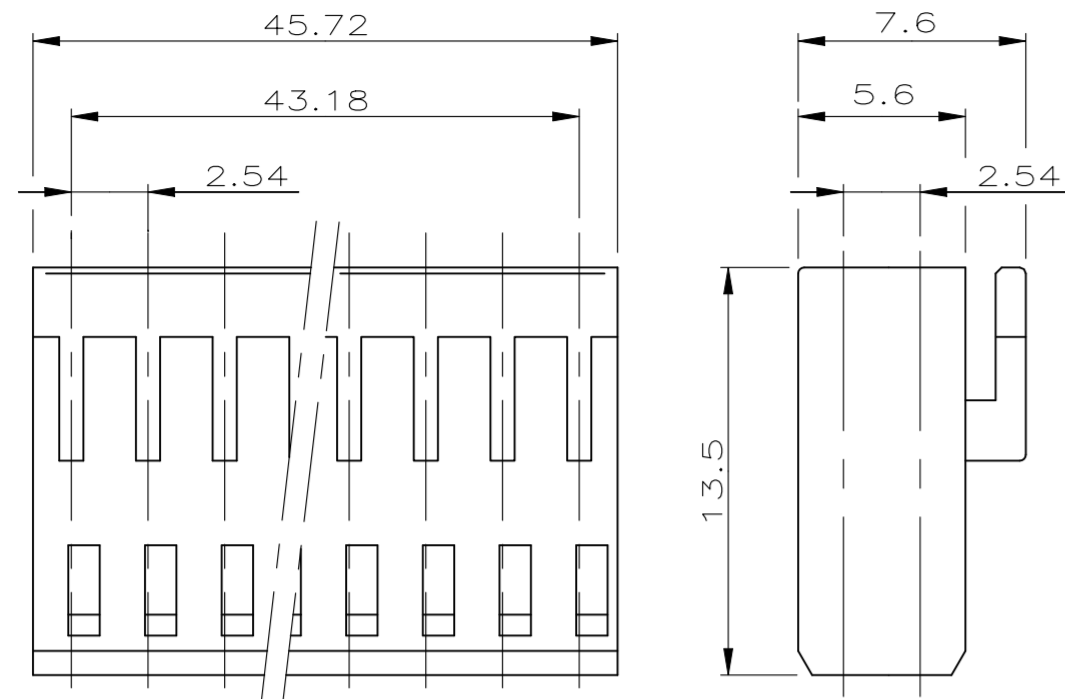
NAME: AMPMODU II / AMPMODU IV

SIZE: A2 CAGE CODE: 00779 DRAWING NO: 826467 RESTRICTED TO: -

SCALE: 2:1 SHEET: 1 of 2 REV: Y4

THIS DRAWING IS UNPUBLISHED. RELEASED FOR PUBLICATION
 © COPYRIGHT - By - ALL RIGHTS RESERVED.

| REVISIONS | | | | |
|-----------|-----|-------------|------|------|
| P | LTR | DESCRIPTION | DATE | APVD |
| - | - | SEE SHEET 1 | - | - |



PN 6-926476-8
 2x18 POS. AMPMODU IV RECEPTACLE HOUSING
 2x18 POL. AMPMODU IV BUCHSENGEHÄUSE

PACKAGING
 Verpackung

PART NUMBER 5-826467-3 INCLUDING 75 PCS. OF PN 826467-3
 PACKED IN PLASTIC BOX (78mm x 78mm x 45mm)
 FOR TE-HARRISBURG ONLY

Bestell- Nummer 5-826467-3 enthält 75 Stk. PN 826467-3
 verpackt in Kunststoffschachtel (78mm x 78mm x 45mm)
 nur für TE-Harrisburg

- 1 CONTACT PIN/Kontaktstift: CuZn
 PLATING MATING AREA:
 MATING SIDE: Min 0.76µm (PdNi + Au FLASH) IN ZONE "F" OVER Min 1.27µm Ni
 (Alternative plating - Min 0.76µm Au OVER Min 1.27µm Ni)
- 2 SOLDER SIDE: MIN 3.0µm Sn OVER 1.27µm Ni
 CONTACT PIN/Kontaktstift: CuSn
 PRE TIN PLATED MIN. 2.0µm Sn OVER 1.27µm Ni (PIN TIPS BLANK)
 Vorverzinnt min. 2.0µm Sn über 1.27µm Ni (Stiftspitzen blank)
- MATERIAL:
 PIN HEADER
 Stiftgehäuse PCT-GV BLACK/schwarz
- RECEPTACLE HOUSING
 Buchsengehäuse PBT-GV BLACK/schwarz
- RETENTION PLUGS
 Rastgabeln PC-GV
- KEYING PLUG AND BLOCK
 Kodierstift, -block PA 6.6 GV
- FFC HOUSING
 FFC Gehäuse PBT-GV BLACK/schwarz
- 3 OBSOLETE PARTS
- 4 SUPERSEDED BY 926477-1 AND 926477-2
- 5 SUPERSEDED BY 926478-1 AND 926478-2

| | | | | |
|--|--|-------------------------------------|---------------------------------|------------------------|
| THIS DRAWING IS A CONTROLLED DOCUMENT. | | DWN M.SCHAARSCHMIDT 27OCT1985 | TE Connectivity | |
| DIMENSIONS: mm | | CHK W.MORITZ 30OCT1985 | | |
| TOLERANCES UNLESS OTHERWISE SPECIFIED: ±0.2mm | | APVD - | NAME AMPMODU II / AMPMODU IV | |
| | | PRODUCT SPEC - | SIZE A2 | |
| MATERIAL - | | APPLICATION SPEC - | CAGE CODE 00779 | DRAWING NO C=826467 |
| FINISH - | | WEIGHT - | RESTRICTED TO - | |
| CUSTOMER DRAWING | | | SCALE 2:1 | SHEET 2 OF 2 |
| | | | REV Y4 | |