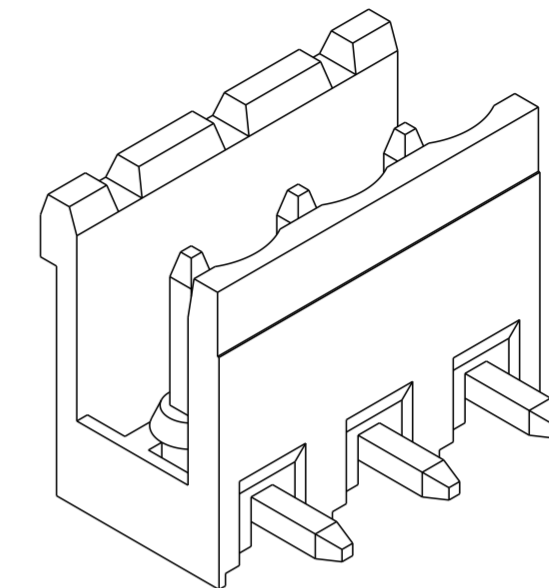
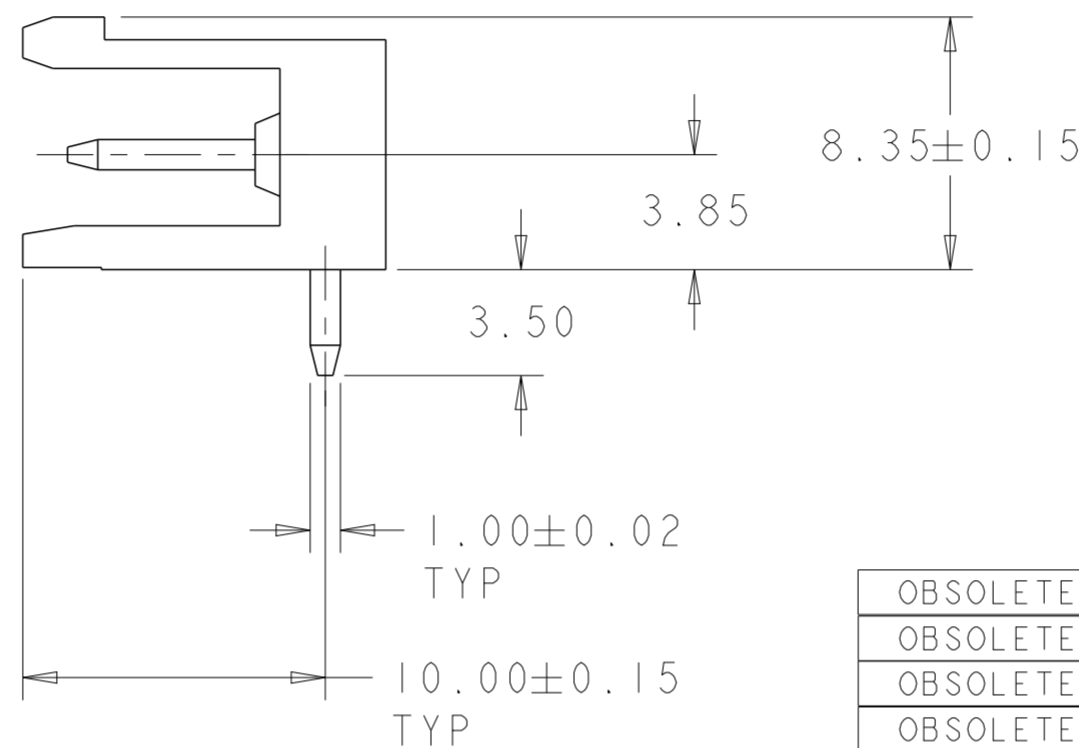
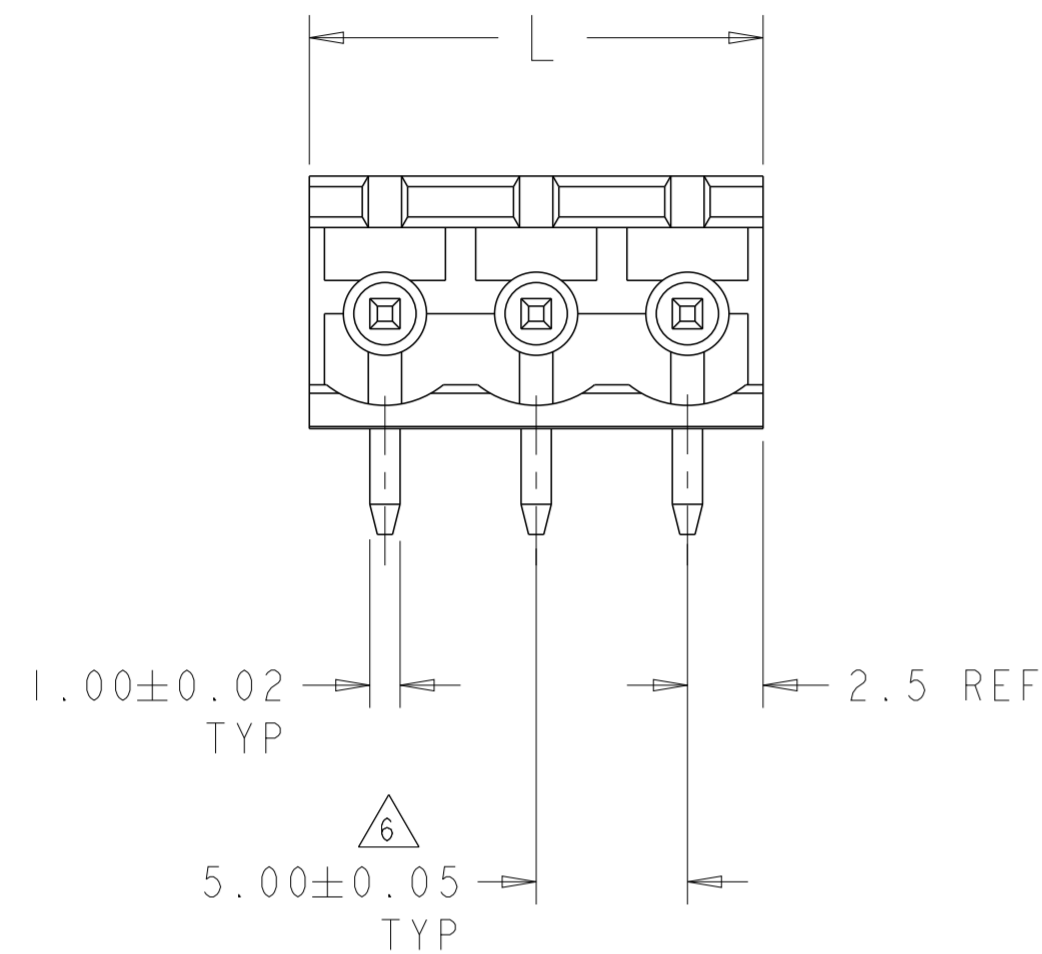


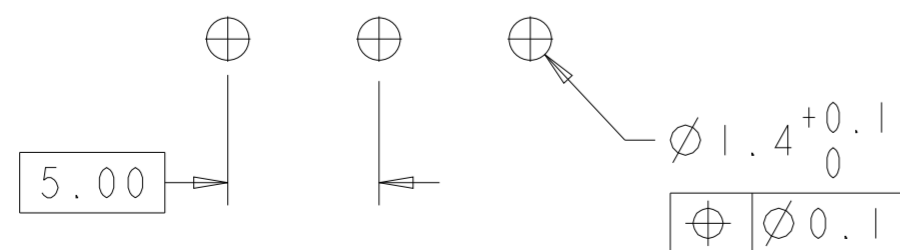
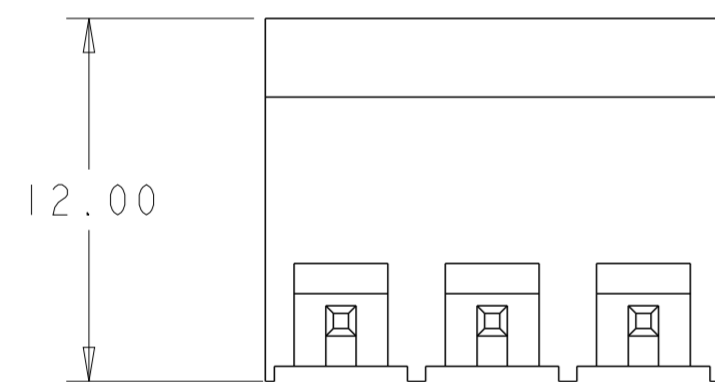
P	LTR	DESCRIPTION	DATE	DWN	APVD
D4		REVISED PER ECO-12-007964	02MAY2012	KH	MS
D5		3-7 AND 3-3 PART OBSOLETE	29AUG2020	DV	PS



282812-3 AS SHOWN

OBSOLETE	COLOR	PLATING	SPECIAL	NO OF POSN	PART NUMBER
OBSOLETE	GREEN	MATTE TIN	-	15.0	3
OBSOLETE	ORANGE	TIN	-	75.0	15
OBSOLETE	ORANGE	TIN	-	65.0	13
OBSOLETE	ORANGE	TIN	-	15.0	3
OBSOLETE	GREEN	0.76um GOLD	-	15.0	3
OBSOLETE	GREEN	TIN	SEE DETAIL M	55.0	11
	GREEN	TIN	-	125.0	25
	GREEN	TIN	-	120.0	24
	GREEN	TIN	-	115.0	23
	GREEN	TIN	-	110.0	22
	GREEN	TIN	-	105.0	21
	GREEN	TIN	-	100.0	20
	GREEN	TIN	-	95.0	19
	GREEN	TIN	-	90.0	18
	GREEN	TIN	-	85.0	17
	GREEN	TIN	-	80.0	16
	GREEN	TIN	-	75.0	15
	GREEN	TIN	-	70.0	14
	GREEN	TIN	-	65.0	13
	GREEN	TIN	-	60.0	12
	GREEN	TIN	-	55.0	11
	GREEN	TIN	-	50.0	10
	GREEN	TIN	-	45.0	9
	GREEN	TIN	-	40.0	8
	GREEN	TIN	-	35.0	7
	GREEN	TIN	-	30.0	6
	GREEN	TIN	-	25.0	5
	GREEN	TIN	-	20.0	4
	GREEN	TIN	-	15.0	3
	GREEN	TIN	-	10.0	2
COLOR	PLATING	SPECIAL	L	NO OF POSN	PART NUMBER

- 1. MATERIALS AND FINISH
HOUSING: PA 6-6, UL 94-V0, COLOR: SEE TABLE.
TERMINAL: COPPER ALLOY, SEE TABLE.
- 2. SUITABLE FOR 1,6-2,4mm PC BOARD THICKNESS.
- 3. END-TO-END STACKABLE WITHOUT LOSS OF CENTERLINE SPACING.
- 4. RECOGNIZED UNDER THE COMPONENT PROGRAM OF UNDERWRITERS LABORATORIES INC. FILE N° E60677.
- 5. IMO CERTIFICATE WITH SURVEILLANCE IN CONFORMITY WITH IEC 998-1/998-2-1.
- 6. NOT CUMULATIVE TOLERANCE.
- 7. BUCHANAN LOGO TO APPEAR ON HOUSING, LOCATION OPTIONAL WHERE SPACE PERMITS.
- 8. SELECTIVELY LOADED IN POSITIONS 1, 4, 5, 8 & 11.



RECOMMENDED PC BOARD LAYOUT

THIS DRAWING IS A CONTROLLED DOCUMENT.

DIMENSIONS: mm	TOLERANCES UNLESS OTHERWISE SPECIFIED:	DWN S. WELDON 12SEP2002	TE Connectivity NAME: TERMINAL BLOCK HEADER ASSEMBLY 90 DEGREE, OPEN ENDS, STACKING 5.00mm PITCH
		CHK C. RICHARD 12SEP2002	
		APVD C. RICHARD 12SEP2002	
		PRODUCT SPEC 108-20166	
MATERIAL	FINISH	APPLICATION SPEC 114-20079	SIZE: A200779
		WEIGHT -	CAGE CODE: C-282812
		CUSTOMER DRAWING	SCALE: 4:1 SHEET 1 OF 2 REV D5

4

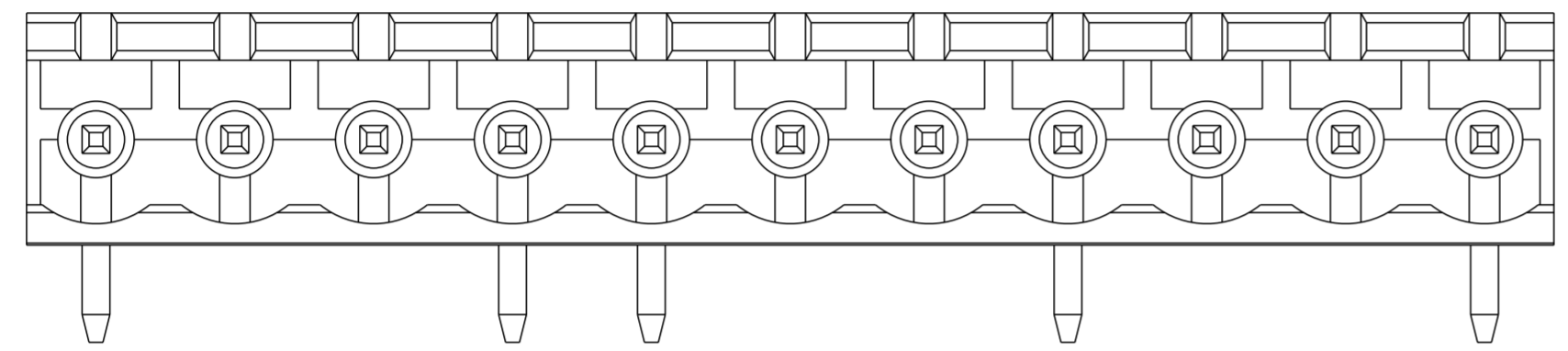
3

2

1

© 2020 TE Connectivity. All Rights Reserved.

REVISIONS				
P	LTR	DESCRIPTION	DATE	APVD
-		SEE SHEET 1	-	-



8
DETAIL M

THIS DRAWING IS A CONTROLLED DOCUMENT.		DWN S. WELDON 12SEP2002		
DIMENSIONS: mm		CHK C. RICHARD 12SEP2002		
TOLERANCES UNLESS OTHERWISE SPECIFIED:		APVD C. RICHARD 12SEP2002	NAME TERMINAL BLOCK HEADER ASSEMBLY 90 DEGREE, OPEN ENDS, STACKING 5.00mm PITCH	
<ul style="list-style-type: none"> 0 PLC ±- 1 PLC ±.2 2 PLC ±.25 3 PLC ±- 4 PLC ±- ANGLES ±2 FINISH 		PRODUCT SPEC 108-20166	RESTRICTED TO	
MATERIAL		APPLICATION SPEC 114-20079	SIZE A2	CAGE CODE 00779
		WEIGHT -	DRAWING NO C-282812	
		CUSTOMER DRAWING	SCALE 3:1	SHEET 2 OF 2
			REV D5	