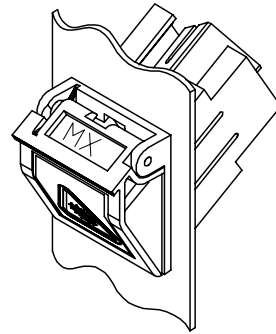
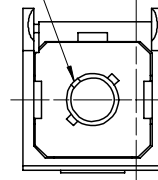


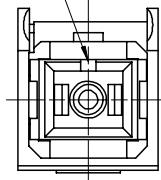
KIT P/N	VERSION	SLEEVE MATERIAL	BEZEL FRAME/DOOR COLOR	ADAPTER COLOR	DOOR TYPE
106004-3580	1 (ST-SC)	PHOSPHOR BRONZE	METAL/METAL	METAL	MX LOGO
106004-3581		ZIRCONIA	METAL/BLACK		
106004-3587		ZIRCONIA	METAL/BLACK		
106004-3582	2 (FC-SC)	PHOSPHOR BRONZE	METAL/METAL		
106004-3583		ZIRCONIA	METAL/BLACK		
106004-3596	3 (SC-SC)	PHOSPHOR BRONZE	METAL/METAL		
106004-3584		ZIRCONIA	METAL/BLACK		
106004-3585		ZIRCONIA	METAL/BLACK		
106004-3586	4 (MTP-MTP)	N/A	BLACK/BLACK	BLACK	
106004-3589		N/A	METAL/BLACK	METAL	
106004-3597		N/A	METAL/BLACK	METAL	
106004-3590	1 (ST-SC)	PHOSPHOR BRONZE	METAL/METAL	METAL	NO LOGO
106004-3591		ZIRCONIA			
106004-3592	2 (FC-SC)	PHOSPHOR BRONZE			
106004-3593		ZIRCONIA			
106004-3594	3 (SC-SC)	PHOSPHOR BRONZE			
106004-3595		ZIRCONIA			
106004-3598	4 (MTP-MTP)	N/A	BLACK/BLACK	BLACK	
106004-3599		N/A	BLACK/BLACK	BLACK	



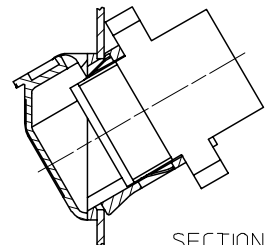
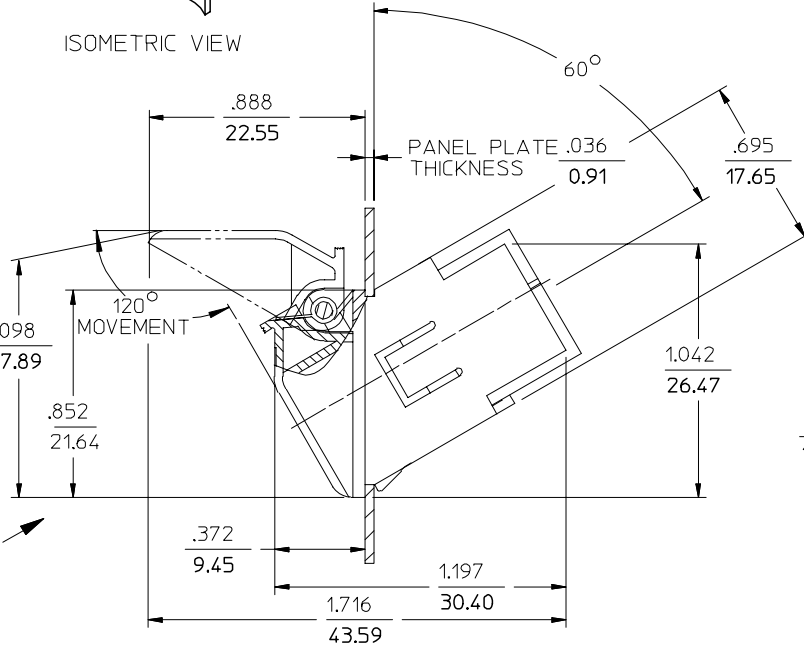
ISOMETRIC VIEW



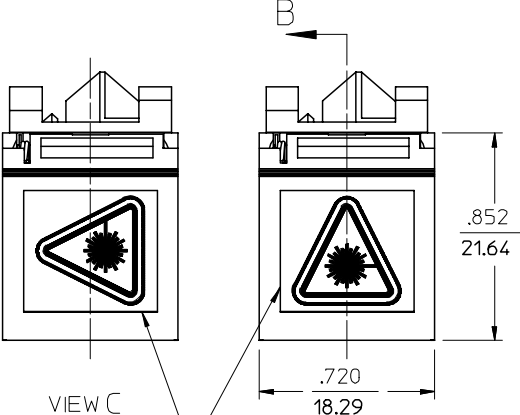
VIEW A  
VERSION 1 & 2 (KEY LOCATION)  
DOOR REMOVED  
ROTATED 30° CW



VIEW A  
VERSION 3 (SC-SC)  
DOOR REMOVED  
ROTATED 30° CW



SECTION B-B  
VERSION 4 (MTP-MTP)  
SEE NOTE 3



VIEW C  
LABEL  
SEE NOTE 2

- NOTES:
- LABEL TO BE INSTALLED BY CUSTOMER.
  - MTP-MTP ADAPTER (VERSION 4) TO BE ASSEMBLED BY CUSTOMER, AFTER BEZEL IS INSTALLED IN PANEL CUTOUT.

ENTER DESCRIPTION EC NO: MF2006-0824 DRWNG/REVZNR 2006/06/13 CHKD: 2006/06/13 APPR: IGUMIN 2006/06/15 DESCRIPTION REV	QUALITY SYMBOLS	GENERAL TOLERANCES (UNLESS SPECIFIED)	DIMENSION STYLE	SCALE	DESIGN UNITS	THIRD ANGLE PROJECTION
	▽=0 ▽=0	mm INCH 4 PLACES ± --- ± --- 3 PLACES ± --- ± --- 2 PLACES ± --- ± --- 1 PLACE ± --- ± --- ANGULAR ±1/2°	IN/MM	2:1	INCH	
		DRAFT WHERE APPLICABLE MUST REMAIN WITHIN DIMENSIONS	DRAWN BY: RPACIFICI CHECKED BY: DATE: 2005/10/20 APPROVED BY: DATE:	TITLE: METALIZED SIMPLEX BEZEL KITS WITH PUSH TAB MOLEX INCORPORATED		
	A1		MATERIAL NO.: SEE TABLE DOCUMENT NO.: SD-106004-35XX SHEET NO.: 1 OF 1	THIS DRAWING CONTAINS INFORMATION THAT IS PROPRIETARY TO MOLEX INCORPORATED AND SHOULD NOT BE USED WITHOUT WRITTEN PERMISSION		