

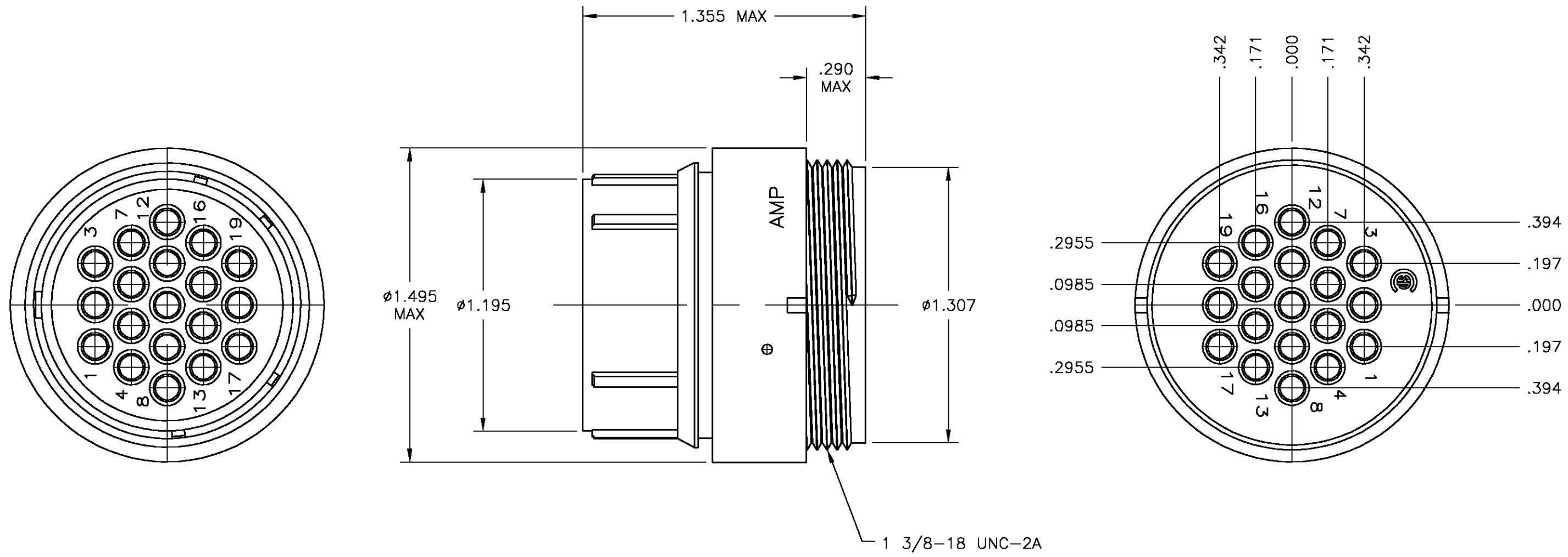
THIS DRAWING IS UNPUBLISHED. RELEASED FOR PUBLICATION
 © COPYRIGHT BY TYCO ELECTRONICS CORPORATION. ALL RIGHTS RESERVED.

| LOC | DIST | REVISIONS | | | | | |
|-----|------|-----------|-----|--------------------------|---------|-----|------|
| | | P | LTR | DESCRIPTION | DATE | DWN | APVD |
| FT | 1 | A | | REVISED PER 0B3B-0611-02 | 3/17/03 | SS | SH |

NOTES:

1. CAVITY IDENTIFICATION NUMBERS FRONT AND REAR FACE.

2. NYLON, BLACK.



211777-1
 PART NUMBER

| | | | | | |
|--|--|-------------------|---------|--|--------------------|
| THIS DRAWING IS A CONTROLLED DOCUMENT. | | DWN S SCHLEGEL | 3/17/03 | Tyco Electronics Corporation Harrisburg, PA 17105 | |
| DIMENSIONS: INCHES | | CHK S HEADER | 3/17/03 | | |
| TOLERANCES UNLESS OTHERWISE SPECIFIED: | | APVD S HEADER | 3/17/03 | NAME PLUG HOUSING, REVERSE SEX, 23-19, CPC | |
| 0 PLC ± - 1 PLC ± - 2 PLC ± - 3 PLC ± .005 4 PLC ± - ANGLES ± - FINISH - | | PRODUCT SPEC | | SIZE A2 | CAGE CODE 00779 |
| MATERIAL | | APPLICATION SPEC | | DRAWING NO C=211777 | RESTRICTED TO |
| | | WEIGHT | - | SCALE 2:1 | SHEET 1 OF 1 |
| | | CUSTOMER DRAWING | | REV A | |