

142686-1 ✓ ACTIVE

[Positive Lock](#) | [Positive Lock 197](#)

TE Internal #: 142686-1

Quick Disconnects, Receptacle, 17 – 13 AWG Wire Size, 1.03 – 2.62 mm² Wire Size, Mating Tab Width 5.08 mm [.2 in], Straight, Positive Lock 197

[View on TE.com >](#)



Terminals & Splices > Quick Disconnects



Quick Disconnect Terminal Type: **Receptacle**

Wire Size: **1.03 – 2.62 mm²**

Mating Tab Width: **5.08 mm [.2 in]**

Mating Tab Thickness: **.81 mm [.032 in]**

Features

Product Type Features

Insertion Force	Low
-----------------	-----

Configuration Features

Compatible With Wire & Cable Type	FLK
-----------------------------------	-----

Contact Features

Quick Disconnect Terminal Type	Receptacle
--------------------------------	------------

Mating Tab Width	5.08 mm [.2 in]
------------------	-----------------

Mating Tab Thickness	.81 mm [.032 in]
----------------------	------------------

Terminal Orientation	Straight
----------------------	----------

Contact Base Material	Phosphor Bronze
-----------------------	-----------------

Terminal Plating Material	Pre-Tin
---------------------------	---------

Crimp Type	F-Crimp
------------	---------

Barrel Type	Open
-------------	------

Termination Features

Product Terminates To	Wire & Cable
-----------------------	--------------



Mechanical Attachment

Wire Insulation Support	With
-------------------------	------

Dimensions

Terminal Material Thickness	.41 mm[.016 in]
Product Length	21 mm[.826 in]
Compatible Insulation Diameter Range	2.01 – 3.2 mm[.079 – .126 in]
Wire Size	1.03 – 2.62 mm ²

Usage Conditions

Insulation Option	Uninsulated
-------------------	-------------

Industry Standards

Agency/Standard	UL
-----------------	----

Packaging Features

Packaging Quantity	3500
Packaging Method	Reel

Product Compliance

[For compliance documentation, visit the product page on TE.com>](#)

EU RoHS Directive 2011/65/EU	Compliant
EU ELV Directive 2000/53/EC	Compliant
China RoHS 2 Directive MIIT Order No 32, 2016	No Restricted Materials Above Threshold
EU REACH Regulation (EC) No. 1907/2006	Current ECHA Candidate List: JUNE 2023 (235) Candidate List Declared Against: JUNE 2023 (235) Does not contain REACH SVHC
Halogen Content	Low Halogen - Br, Cl, F, I < 900 ppm per homogenous material. Also BFR/CFR/PVC Free
Solder Process Capability	Not applicable for solder process capability

Product Compliance Disclaimer

This information is provided based on reasonable inquiry of our suppliers and represents our current actual knowledge based on the information they provided. This information is subject to change. The part numbers that TE has identified as EU RoHS compliant have a maximum concentration of 0.1% by weight in homogenous materials for lead, hexavalent chromium, mercury, PBB, PBDE, DBP, BBP, DEHP, DIBP, and 0.01% for cadmium, or qualify for an exemption to these limits as defined in the Annexes of Directive 2011/65/EU (RoHS2). Finished electrical and electronic equipment products will be CE marked as required by Directive 2011/65/EU. Components may not be CE marked. Additionally, the part numbers that TE has identified as EU ELV compliant have a maximum concentration of 0.1% by weight in homogenous materials for lead, hexavalent chromium, and mercury, and 0.01% for cadmium, or qualify for an exemption to these limits

as defined in the Annexes of Directive 2000/53/EC (ELV). Regarding the REACH Regulation, the information TE provides on SVHC in articles for this part number is based on the latest European Chemicals Agency (ECHA) 'Guidance on requirements for substances in articles' posted at this URL: <https://echa.europa.eu/guidance-documents/guidance-on-reach>

Compatible Parts



TE Part # 142680-1
PL MK III 2 POS HOUSING BROEN
RAL 8016



TE Part # 142680-4
PL MK III 2 POS HOUSING YELLOW
RAL 1016



TE Part # 142681-1
PL MK III 3 POS HOUSING BROEN



TE Part # 142681-4
PL MK III 3 POS HOUSING YELLOW



TE Part # 2150078-1
OC-AT-E-FM-110F180F-001-0111

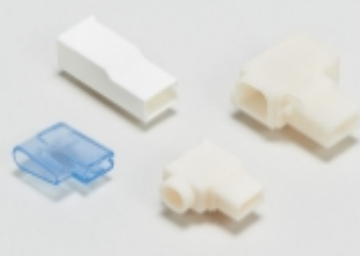


TE Part # 2150078-2
OC-AT-E-FA-110F180F-001-0111




TE Part # 7-2150078-7
OC-110F180F-CRIMP TOOLING KIT

Also in the Series | Positive Lock 197

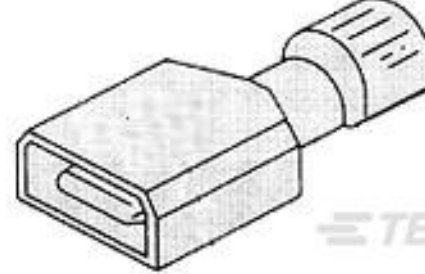


Crimp Terminal Housings(6)



Quick Disconnects(5)

Customers Also Bought



TE Part #2-521102-2
ULTRA-FAST 187 ASY Tab 22-18 TPBR



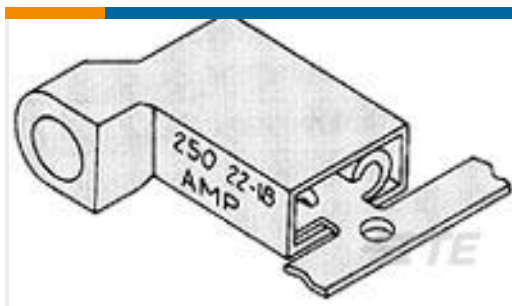
TE Part #3-520124-2
187 ULTRA-FAST ASY REC 16-14 AWG
TPBR



TE Part #42281-2
FF 250 REC 18-14AWG TPBR



TE Part #346027-1
FASTIN FASTON HOUSING
RECEPTACLE



TE Part #3-521013-2
ULTRA-FAST 250 ASY REC 16-14 AWG
TPBR



TE Part #42100-2
FF 250 REC 18-14AWG TPBR



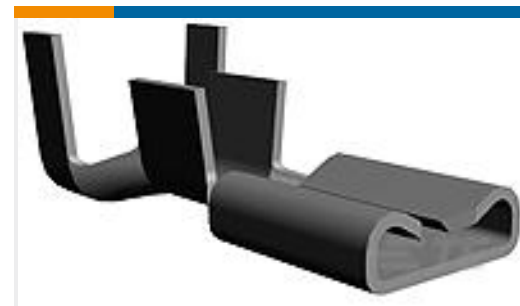
TE Part #175411-1
110 PL REC. 24-20AWG PTBR



TE Part #1801286-1
9W SEALED CONNECTOR FOR MCP
CONTACT



TE Part #3-2098922-3
SDM,54P PLUG ASY,RHL,KEY B



TE Part #60742-2
187 FASTON REC 18-14 AWG TPBR

Documents

Product Drawings

L.I.F PL CONTACT 5MM 1 TO 3 MM2 PTPPHBZ

English

CAD Files

3D PDF

3D

Customer View Model

[ENG_CVM_CVM_142686-1_S.2d_dxf.zip](#)

English

Customer View Model

[ENG_CVM_CVM_142686-1_S.3d_igs.zip](#)

English

Customer View Model

[ENG_CVM_CVM_142686-1_S.3d_stp.zip](#)

English

Customer View Model

[ENG_CVM_142686-1_D.3d_igs.zip](#)

English

Customer View Model

[ENG_CVM_142686-1_D.3d_stp.zip](#)

English

Customer View Model

[ENG_CVM_142686-1_D.2d_dxf.zip](#)

English

3D PDF

English



By downloading the CAD file I accept and agree to the [Terms and Conditions](#) of use.

Datasheets & Catalog Pages

[1654742_HOUSEHOLD_APPLIANCES_RAST5](#)

English