



# 423-443 MHz Single BAND External ANTENNA

Part Numbers: 2195892-1/-2

## FEATURES & BENEFITS

- 433MHz ISM single band antenna
- External chassis mounting antenna
- RoHS compliant
- Best performance on just 130mm ground plane length

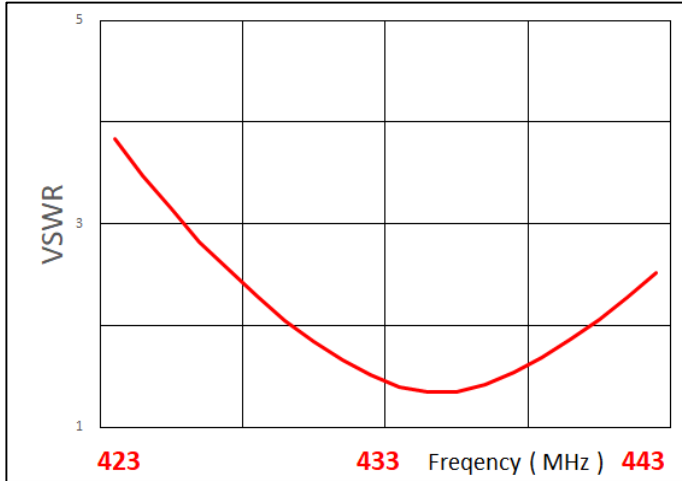
## SPECIFICATIONS

Part Numbers	2195892-1 ( RA )	2195892-2 ( Straight )
Frequency Range (MHz)	423 – 443	423 – 443
VSWR	< 3.1 : 1	< 3.0 : 1
Average Efficiency	26%	38%
Peak Gain	-2.3 dBi	-0.5 dBi
Average Gain	-6.0 dBi	-4.3 dBi
Power Handling	10 Watt cw	10 Watt cw
Feed Point Impedance	50 ohms	50 ohms
Polarization	Linear	Linear
Size	47.3 x ø 7.8 ( mm )	50 x ø 8.0 ( mm )
Weight	5.8 g	4.4 g
Mounting	Terminal mount	Terminal mount
Mating Connector	SMA Female	SMA Female
Cable	N/A	N/A
Operating Temperature	-30 to +75°C	-30 to +75°C
Storage Temperature	-30 to +75°C	-30 to +75°C
Hazardous Materials	A certificate of conformance is available from the product page on TE website.	

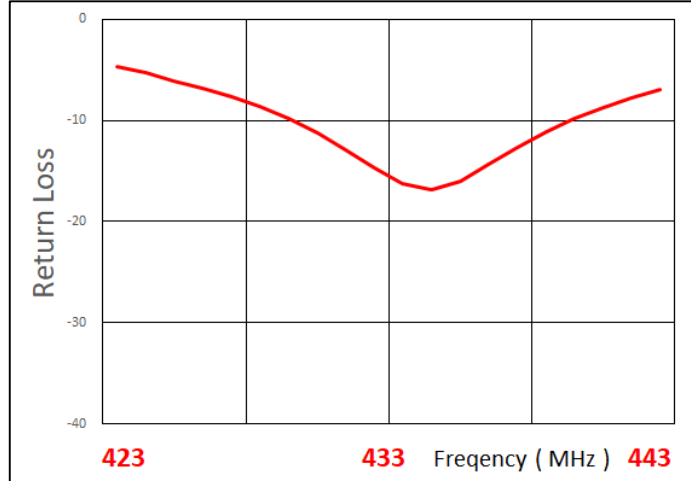
Data measured in free space and on reference GND plane of 130mm length and 100mm width. Application data may vary.

## RF DATA ( 2195892-1 RA )

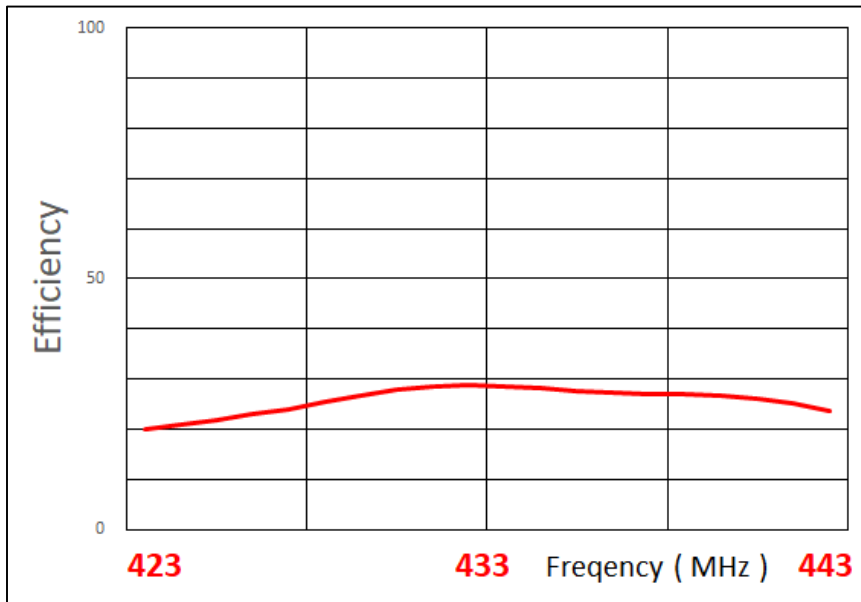
### VSWR



### Return Loss



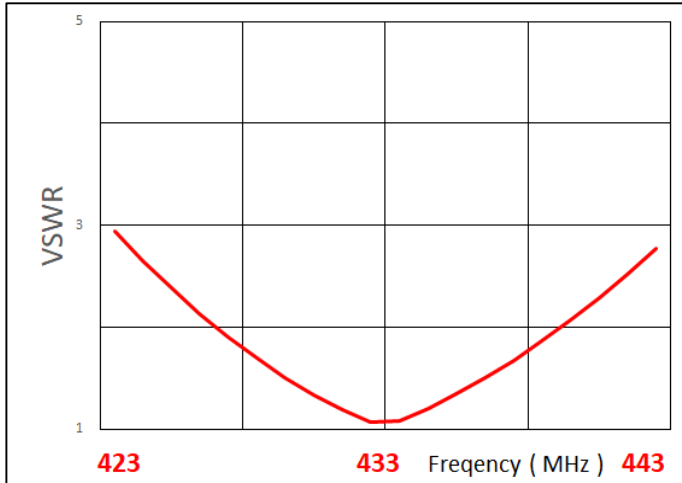
### Efficiency



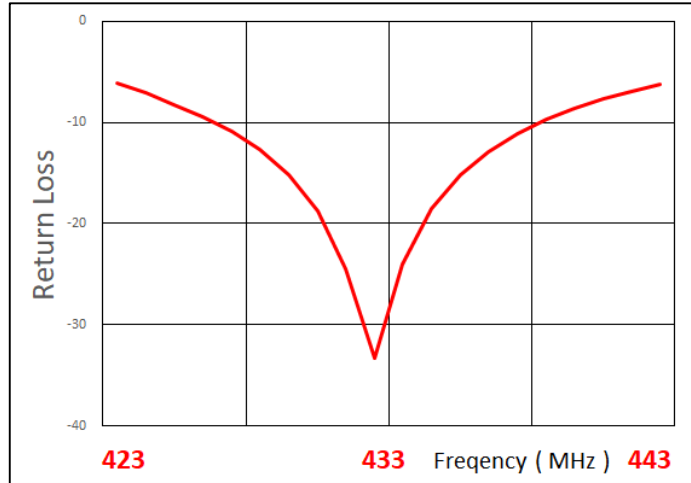
Data measured in free space and on reference GND plane of 130mm length and 100mm width.  
Application data may vary.

## RF DATA ( 2195892-2 Straight )

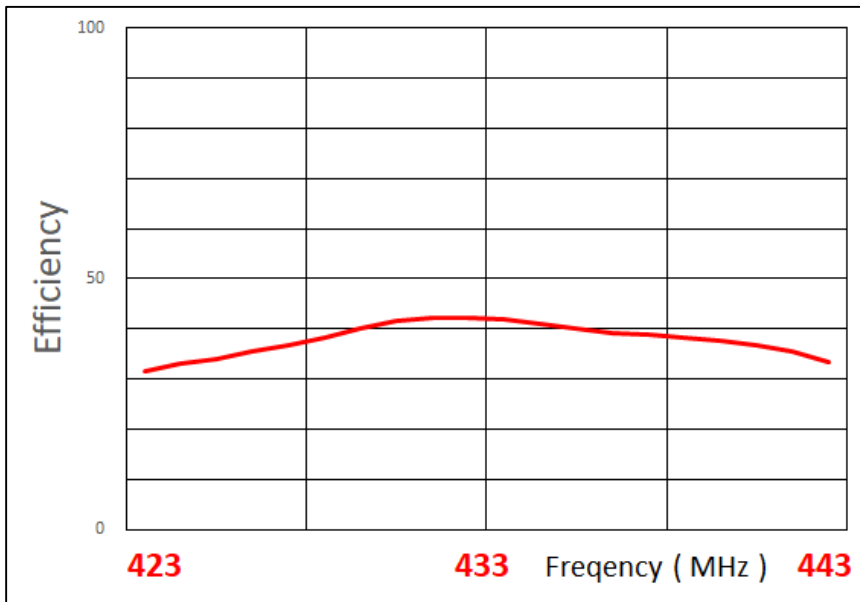
VSWR



Return Loss



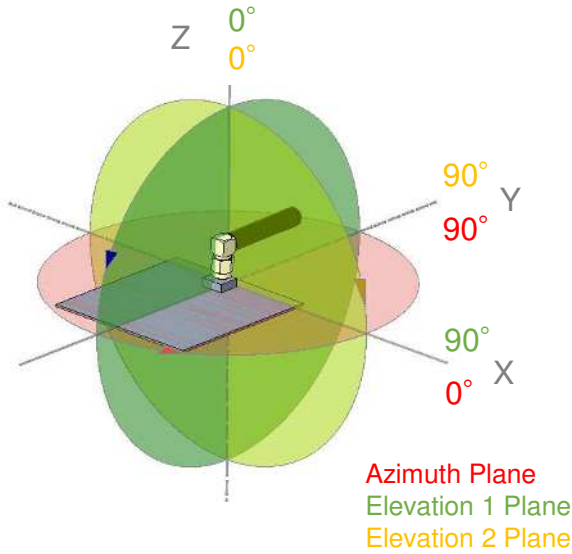
Efficiency



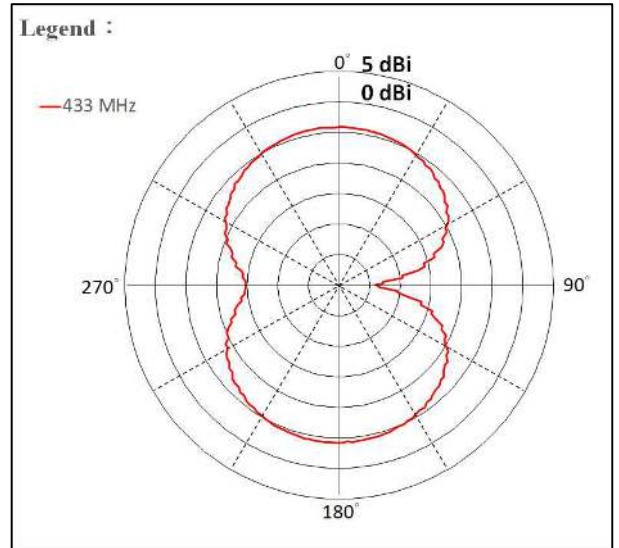
Data measured in free space and on reference GND plane of 130mm length and 100mm width. Application data may vary.

## RADIATION PATTERN ( 2195892-1 RA )

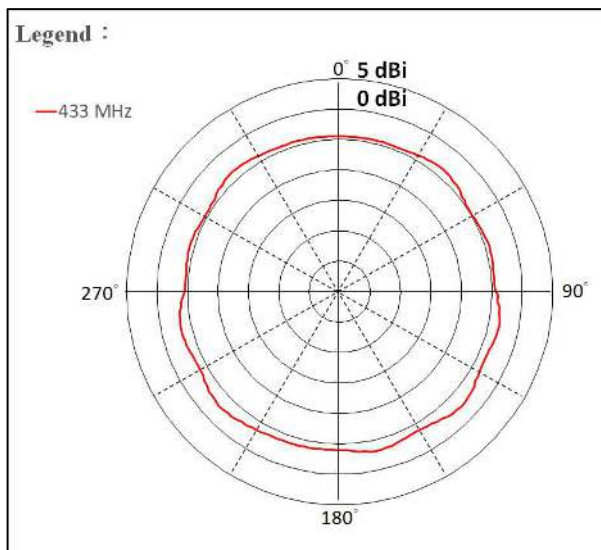
### Test setup



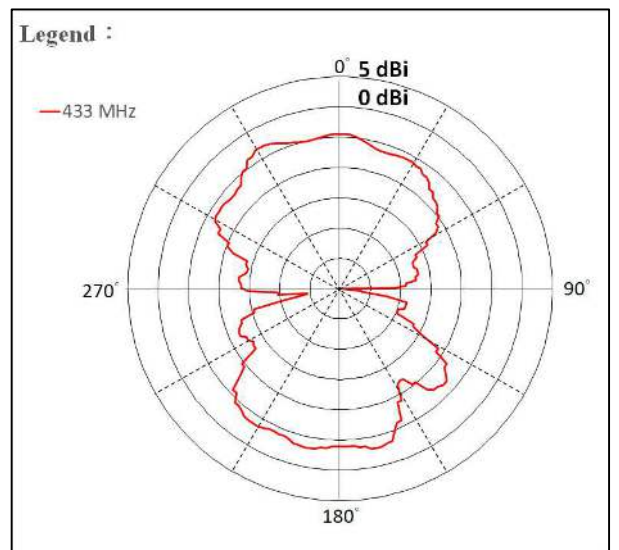
### Azimuth



### Elevation 1



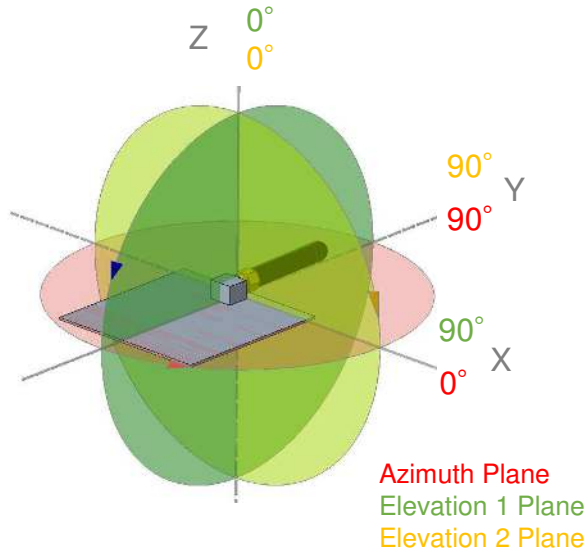
### Elevation 2



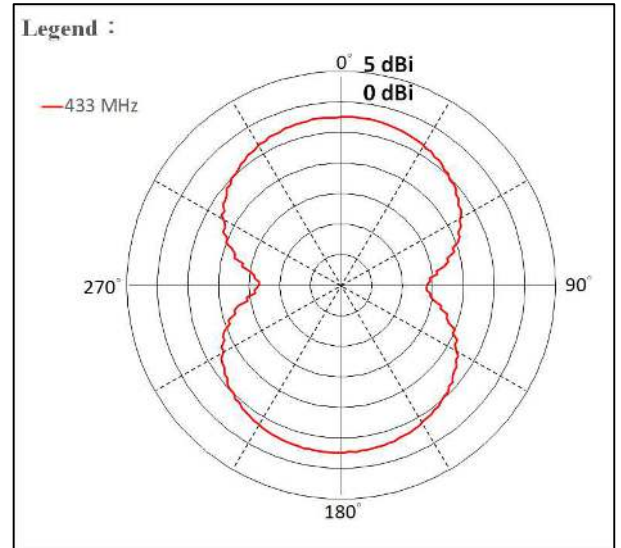
Data measured in free space and on reference GND plane of 130mm length and 100mm width.  
Application data may vary.

## RADIATION PATTERN ( 2195892-2 Straight )

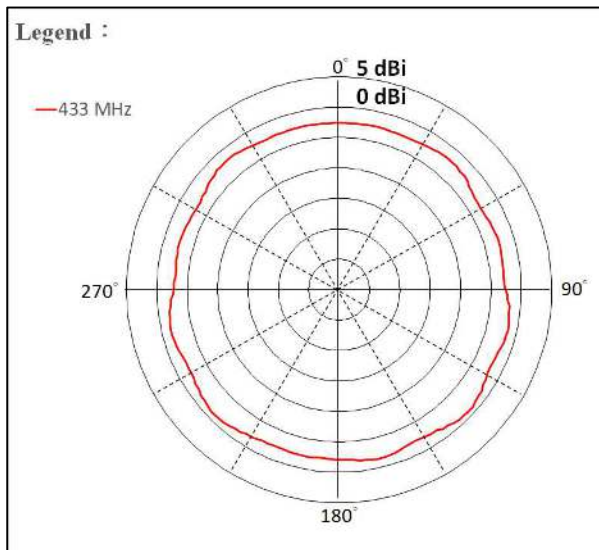
### Test setup



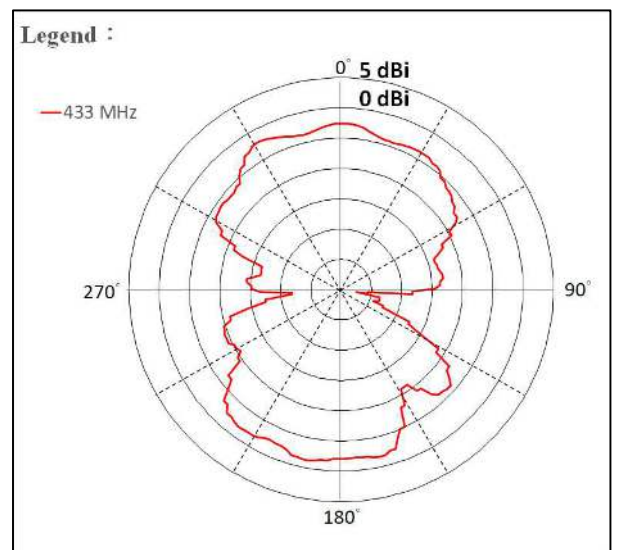
### Azimuth



### Elevation 1



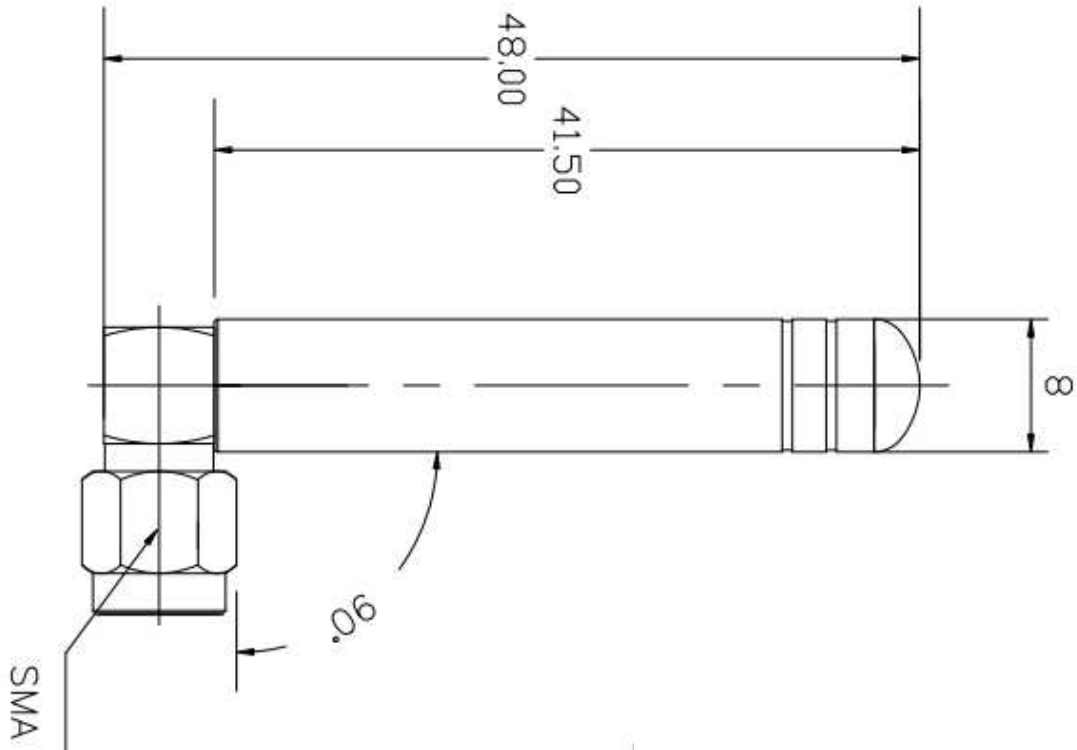
### Elevation 2



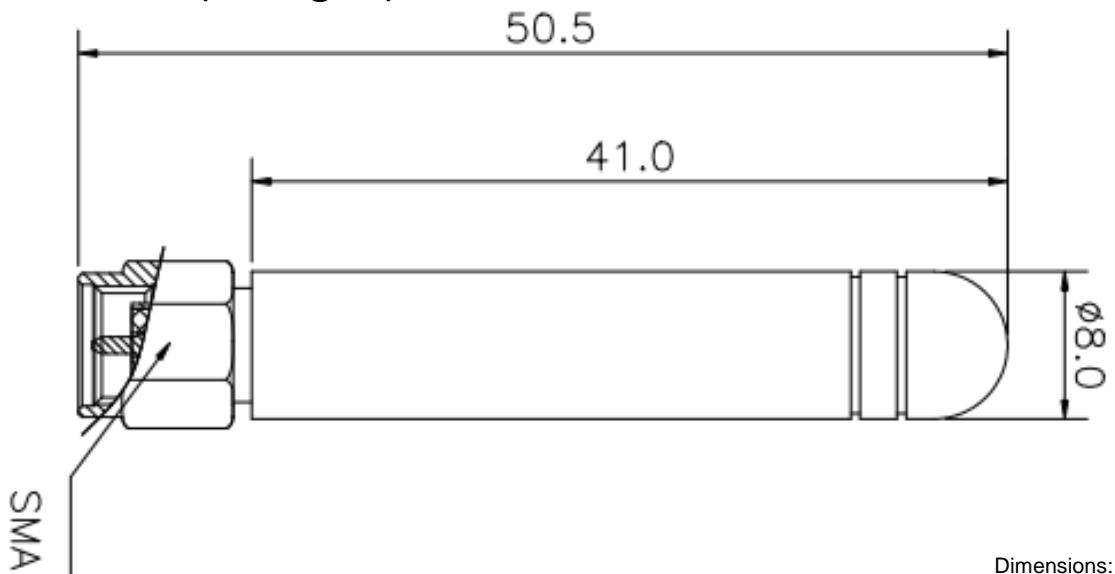
Data measured in free space and on reference GND plane of 130mm length and 100mm width.  
Application data may vary.

## DIMENSIONS ( 2195892-1 RA & 2195892-2 Straight )

2195892-1 ( RA )



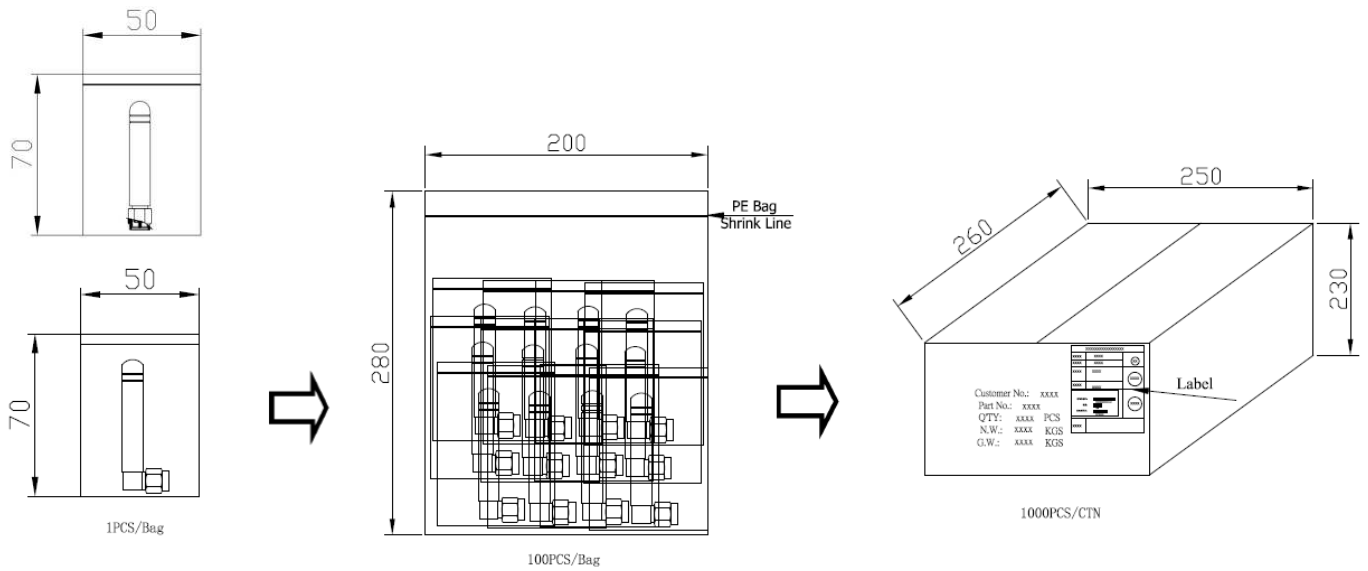
2195892-2 ( Straight )



Dimensions: mm  
Diagram is not to scale

## PACKAGING

( 2195892-1 RA & 2195892-2 STRAIGHT SAME PACKAGE QTY )



### TE TECHNICAL SUPPORT CENTER

- USA: +1 (800) 522-6752
- Canada: +1 (905) 475-6222
- Mexico: +52 (0) 55-1106-0800
- Latin/S. America: +54 (0) 11-4733-2200
- Germany: +49 (0) 6251-133-1999
- UK: +44 (0) 800-267666
- France: +33 (0) 1-3420-8686
- Netherlands: +31 (0) 73-6246-999
- China: +86 (0) 400-820-6015

For phone numbers in other countries, go to [te.com/support-center](http://te.com/support-center)

### te.com

TE Connectivity, TE Connectivity (logo) and Every Connection Counts are trademarks. All other logos, products and/or company names referred to herein might be trademarks of their respective owners.

The information given herein, including drawings, illustrations and schematics which are intended for illustration purposes only, is believed to be reliable. However, TE Connectivity makes no warranties as to its accuracy or completeness and disclaims any liability in connection with its use. TE Connectivity's obligations shall only be as set forth in TE Connectivity's Standard Terms and Conditions of Sale for this product and in no case will TE Connectivity be liable for any incidental, indirect or consequential damages arising out of the sale, resale, use or misuse of the product. Users of TE Connectivity products should make their own evaluation to determine the suitability of each such product for the specific application.

© 2020 TE Connectivity Ltd. family of companies All Rights Reserved.

06/20