

NOTES:

1. COMPATIBLE WITH MOLEX PT 90325, 90814, 90816.
2. USE WITH CABLES 28AWG STD. 26AWG STD. AND 26AWG (69 STRANDS) SUPERFLEX.
3. TERMINATION SPECIFICATION: ES-99033-0001.
4. PRODUCT SPECIFICATION: PS-99020-0011
5. PACKAGING SPEC: PK-90327-001

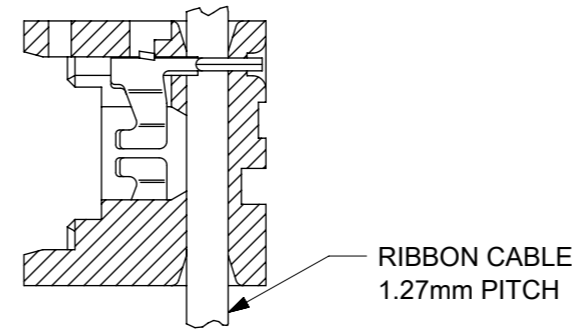
HOUSING:

MATL: POLYESTER RATED AT UL 94 V-0,
COLOUR WHITE.

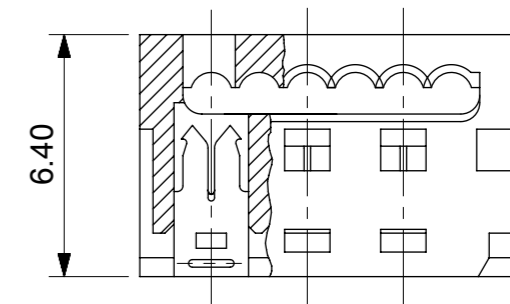
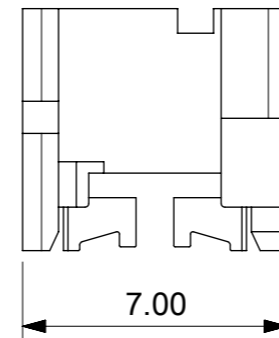
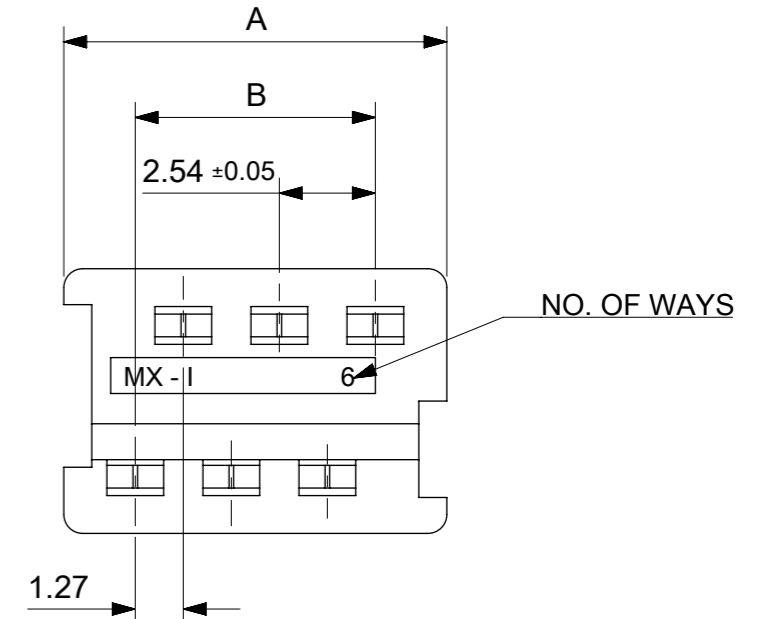
IDT CONTACT

MATL. PHOS BRONZE 0.17 THK HV 180-200
PLATING. TIN: 2-4µm PURE TIN
PLATING. UNDERPLATED 1.27µm MIN NICKEL
3-5µm SELECTIVE TIN & 0.76µm MIN. SELECTIVE GOLD

90327 - * 3 * *
0 = 2µm PRE TIN ASSY
3 = 0.76µm GOLD ASSY
SEE CONTACT PLATING NOTE
04 TO 26 = CCT SIZE, 51 TO 98 = ASSY ON REELS, SEE CHART
COLOUR WHITE



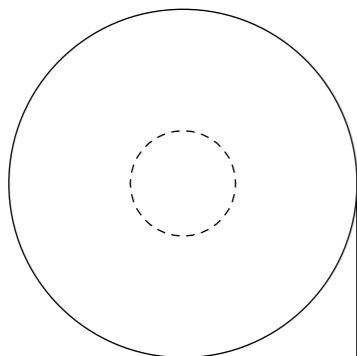
**SECTION SHOWING
ASSY AFTER TERMINATION
SEE NOTE 3**



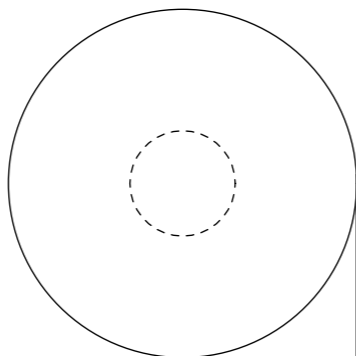
90327-*326	26	35.53	31.75
-*324	24	32.99	29.21
-*322	22	30.45	26.67
-*320	20	27.91	24.13
-*318	18	25.37	21.59
-*316	16	22.83	19.05
-*314	14	20.29	16.51
-*312	12	17.75	13.97
-*310	10	15.21	11.43
-*308	8	12.67	8.89
-*306	6	10.13	6.35
9327-*304	4	7.59	3.81
PART NO.	CCT SIZE	DIMENSION A	DIMENSION B

FUNCTIONAL SYMBOLS	DIMENSION UNITS	SCALE	THIS DRAWING CONTAINS INFORMATION THAT IS PROPRIETARY TO MOLEX ELECTRONIC TECHNOLOGIES, LLC AND SHOULD NOT BE USED WITHOUT WRITTEN PERMISSION			
$\nabla_A = 0$	mm	5:1	CURRENT REV DESC: CAD MIGRATION			
$\nabla_F = 0$	GENERAL TOLERANCES (UNLESS SPECIFIED)		molex IDT ASSEMBLY PICO FLEX PRODUCT CUSTOMER DRAWING			
$\nabla_{F'} = 0$	ANGULAR TOL ± 2°					
DIVISIONAL SYMBOLS	4 PLACES	±				
	3 PLACES	±				
	2 PLACES	± 0.10				
	1 PLACE	± 0.2	EC NO: 738955	2023/02/02	2023/02/16	2023/02/20
	0 PLACES	±	DRWN: GOWTHP	2023/02/02	2023/02/16	2023/02/20
DRAFT WHERE APPLICABLE MUST REMAIN WITHIN DIMENSIONS			APPR: ISHWARG	2023/02/20	2023/02/20	2023/02/20
THIRD ANGLE PROJECTION			INITIAL REVISION:	DOCUMENT NUMBER		
DRAWING			DRWN: NPC	1987/07/28	SDA-90327	
SERIES			APPR: JDENNDHY	2004/09/16	PSD	001
MATERIAL NUMBER			CUSTOMER		REVISION	
A3-SIZE			90327	SEE CHART	GENERAL MARKET	AK1
SHEET NUMBER			1 OF 2			

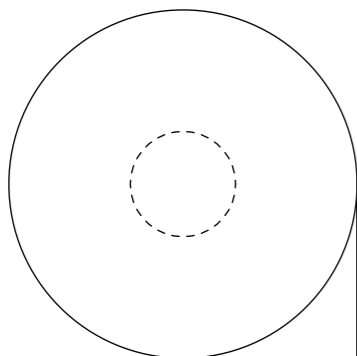
REELING OPTION A



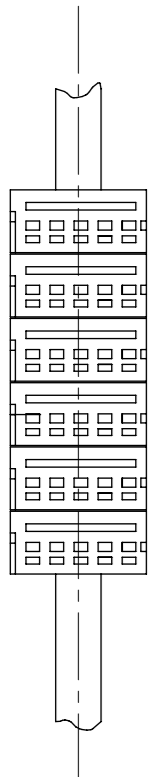
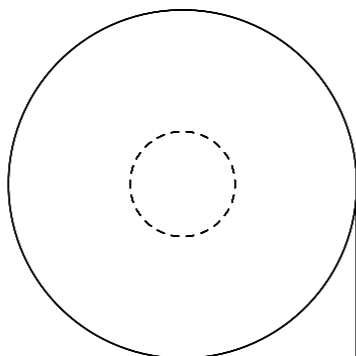
REELING OPTION B



REELING OPTION C



REELING OPTION D



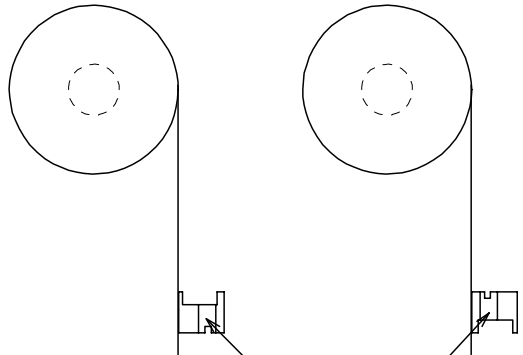
REEL ASSY NO.	PART NO.	CCT SIZE	REELING OPTION	REEL ASSY NO.	PART NO.	CCT SIZE	REELING OPTION
90327-*351	90327-*304	4	A	90327-*375	90327-*316	16	A
*352			B	*376			B
*353			C	*377			C
90327-*354			D	90327-*378			D
90327-*355	90327-*306	6	A	90327-*379	90327-*318	18	A
*356			B	*380			B
*357			C	*381			C
90327-*358			D	90327-*382			D
90327-*359	90327-*308	8	A	90327-*383	90327-*320	20	A
*360			B	*384			B
*361			C	*385			C
90327-*362			D	90327-*386			D
90327-*363	90327-*310	10	A	90327-*387	90327-*326	26	A
*364			B	*388			B
*365			C	*389			C
90327-*366			D	90327-*390			D
90327-*367	90327-*312	12	A	90327-*391	90327-*322	22	A
*368			B	*392			B
*369			C	*393			C
90327-*370			D	90327-*394			D
90327-*371	90327-*314	14	A	90327-*395	90327-*324	24	A
*372			B	*396			B
*373			C	*397			C
90327-*374			D	90327-*398			D

FUNCTIONAL SYMBOLS $\nabla_A = 0$ $\nabla_E = 0$ $\nabla_V = 0$	THIS DRAWING CONTAINS INFORMATION THAT IS PROPRIETARY TO MOLEX ELECTRONIC TECHNOLOGIES, LLC AND SHOULD NOT BE USED WITHOUT WRITTEN PERMISSION	SCALE	CURRENT REV DESC: CAD MIGRATION		
	DIMENSION UNITS	1:1	molex IDT ASSEMBLY PICOFLX		
	GENERAL TOLERANCES (UNLESS SPECIFIED)				
	ANGULAR TOL	± 2.0°	EC NO: 738955 DRWN: GOWTHP CHK'D: GOWTHP APPR: ISHWARG INITIAL REVISION: DRWN: PAD APPR: JDENNEHY		
4 PLACES	±				
3 PLACES	±	2023/02/02	PRODUCT CUSTOMER DRAWING DOCUMENT NUMBER: SDA-90327 DOC TYPE: PSD DOC PART: 001 REVISION: AK1		
2 PLACES	± 0.10	2023/02/16			
1 PLACE	± 0.2	1991/02/27	MATERIAL NUMBER: 90327 CUSTOMER: GENERAL MARKET SHEET NUMBER: 2 OF 2		
0 PLACES	±	2004/09/16			
DRAFT WHERE APPLICABLE MUST REMAIN WITHIN DIMENSIONS		THIRD ANGLE PROJECTION	DRAWING: A3-SIZE	SERIES: 90327	SEE CHART

10 9 8 7 6 5 4 3 2 1

REELING OPTION A

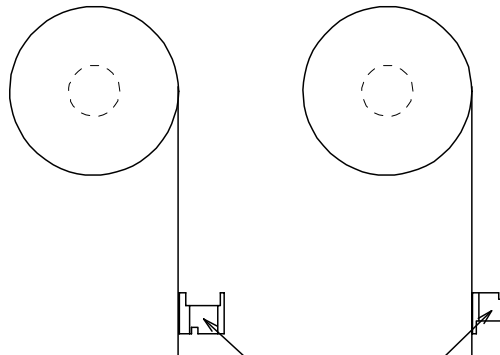
REELING OPTION B



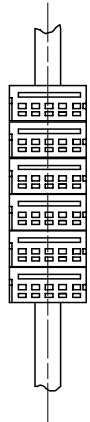
NARROW POLARISING SLOT

REELING OPTION C

REELING OPTION D



WIDE POLARISING SLOT



REEL ASSY NO.	PART NO.	CCT SIZE	REELING OPTION
90327-*351	90327-*304	4	A
↑ *352	↑	↑	B
↓ *353	↓	↓	C
90327-*354	90327-*304	4	D
90327-*355	90327-*306	6	A
↑ *356	↑	↑	B
↓ *357	↓	↓	C
90327-*358	90327-*306	6	D
90327-*359	90327-*308	8	A
↑ *360	↑	↑	B
↓ *361	↓	↓	C
90327-*362	90327-*308	8	D
90327-*363	90327-*310	10	A
↑ *364	↑	↑	B
↓ *365	↓	↓	C
90327-*366	90327-*310	10	D
90327-*367	90327-*312	12	A
↑ *368	↑	↑	B
↓ *369	↓	↓	C
90327-*370	90327-*312	12	D
90327-*371	90327-*314	14	A
↑ *372	↑	↑	B
↓ *373	↓	↓	C
90327-*374	90327-*314	14	D

REEL ASSY NO.	PART NO.	CCT SIZE	REELING OPTION
90327-*375	90327-*316	16	A
↑ *376	↑	↑	B
↓ *377	↓	↓	C
90327-*378	90327-*316	16	D
90327-*379	90327-*318	18	A
↑ *380	↑	↑	B
↓ *381	↓	↓	C
90327-*382	90327-*318	18	D
90327-*383	90327-*320	20	A
↑ *384	↑	↑	B
↓ *385	↓	↓	C
90327-*386	90327-*320	20	D
90327-*387	90327-*326	26	A
↑ *388	↑	↑	B
↓ *389	↓	↓	C
90327-*390	90327-*326	26	D
90327-*391	90327-*322	22	A
↑ *392	↑	↑	B
↓ *393	↓	↓	C
90327-*394	90327-*322	22	D
90327-*395	90327-*324	24	A
↑ *396	↑	↑	B
↓ *397	↓	↓	C
90327-*398	90327-*324	24	D

REVISION UPDATE	DESCRIPTION
EC NO: E2007-0940	
DRWN:DMASZKI/EMI/CZ 2007/06/07	
CHKD:DMORJARTY 2007/06/11	
APPR: JDENNEHY 2007/06/14	
AE	REV

QUALITY SYMBOLS	DESCRIPTION
▽=0	
▽C=0	

GENERAL TOLERANCES (UNLESS SPECIFIED)	DIMENSION STYLE
	MM/IN
4 PLACES ± --- ± ---	DRAWN BY DATE
3 PLACES ± --- ± ---	PAD 1991/02/27
2 PLACES ± --- ± ---	CHECKED BY DATE
1 PLACE ± --- ± ---	DMORJARTY 2004/09/15
ANGULAR ± 2 °	APPROVED BY DATE
	JDENNEHY 2004/09/16
DRAFT WHERE APPLICABLE MUST REMAIN WITHIN DIMENSIONS	MATERIAL NO.
	SEE CHART

SCALE	DESIGN UNITS
NTS	METRIC
THIRD ANGLE PROJECTION	
IDT ASSEMBLY PICOFLEX	
MOLEX MOLEX INCORPORATED	
DOCUMENT NO.	SHEET NO.
SDA-90327	2 OF 2

THIS DRAWING CONTAINS INFORMATION THAT IS PROPRIETARY TO MOLEX INCORPORATED AND SHOULD NOT BE USED WITHOUT WRITTEN PERMISSION	
---	--

9 8 7 6 5 4 3 2 1