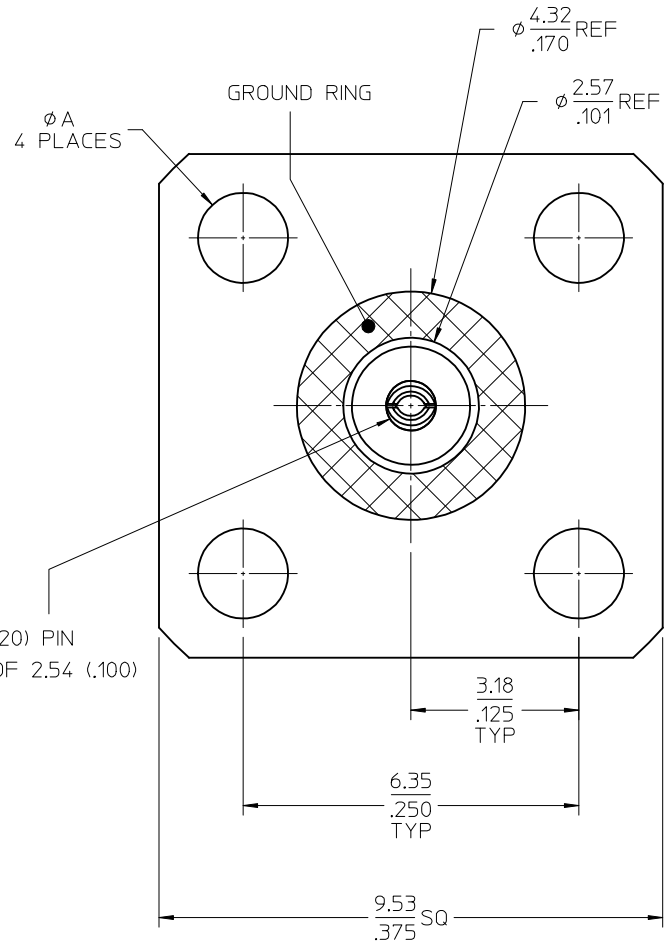
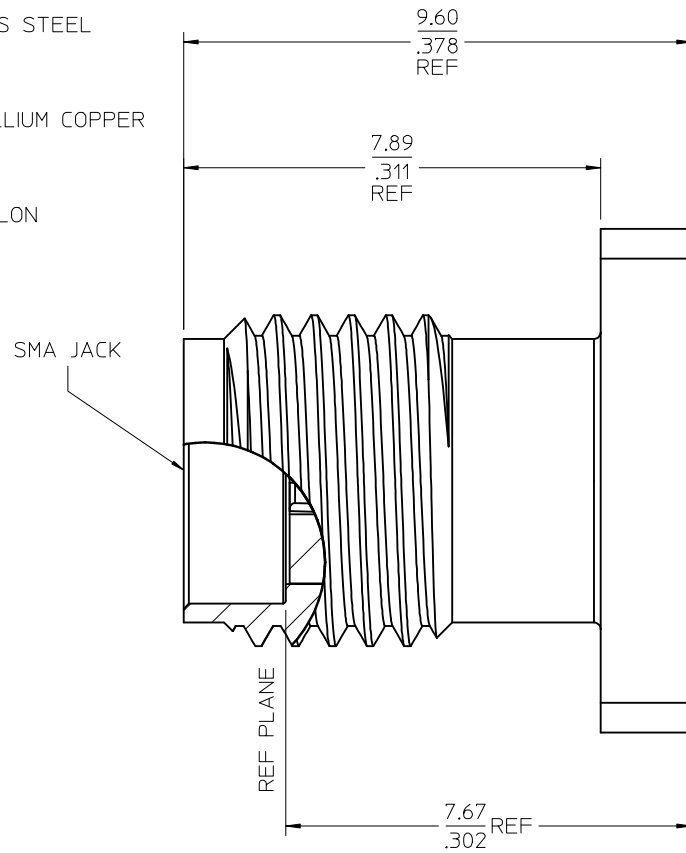


MATERIALS AND FINISHES

BODY: STAINLESS STEEL
PASSIVATED

CONTACT: BERYLLIUM COPPER
PLATED GOLD

INSULATOR: TEFLON



73251-0841	2.06 / .081
73251-0840	1.70 / .067
PART NO.	MM / IN
	DIM A

CHG: REDREW IN SD MAX PIN DEPTH WAS .110 EC NO: URF2013-0626 DRWN:JWIENER 2013/05/08 CHKD:SSS 2013/05/08 APPR:JWIENER 2013/05/09	DESCRIPTION REV A2	QUALITY SYMBOLS ▼=0 ▽=0	GENERAL TOLERANCES (UNLESS SPECIFIED) <table border="1"> <tr> <td></td> <td>mm</td> <td>INCH</td> </tr> <tr> <td>4 PLACES</td> <td>± .005</td> <td>± .0005</td> </tr> <tr> <td>3 PLACES</td> <td>± .005</td> <td>± .0005</td> </tr> <tr> <td>2 PLACES</td> <td>± .005</td> <td>± .0005</td> </tr> <tr> <td>1 PLACE</td> <td>± .005</td> <td>± .0005</td> </tr> </table> ANGULAR ± 2°		mm	INCH	4 PLACES	± .005	± .0005	3 PLACES	± .005	± .0005	2 PLACES	± .005	± .0005	1 PLACE	± .005	± .0005	DIMENSION STYLE MM/IN	SCALE DESIGN UNITS METRIC	THIRD ANGLE PROJECTION
			mm	INCH																	
		4 PLACES	± .005	± .0005																	
		3 PLACES	± .005	± .0005																	
2 PLACES	± .005	± .0005																			
1 PLACE	± .005	± .0005																			
DRAWN BY JWIENER		DATE 2013/05/08	TITLE SMA JACK FIELD REPLAC. 4 HOLE FLANGE .020 PIN SMA-JR/F EWR-1594		MOLEX INCORPORATED																
CHECKED BY SSS		DATE 2013/05/08	APPROVED BY JWIENER		DATE 2013/05/09	MATERIAL NO. SEE TABLE															
DRAFT WHERE APPLICABLE MUST REMAIN WITHIN DIMENSIONS		DOCUMENT NO. SD-73251-084		SHEET NO. 1 OF 1		THIS DRAWING CONTAINS INFORMATION THAT IS PROPRIETARY TO MOLEX INCORPORATED AND SHOULD NOT BE USED WITHOUT WRITTEN PERMISSION															