



LAYOUT SHOWN AS EXAMPLE

Keying Shown as example

**CHARACTERISTICS**

- Standard : Based on MIL-DTL-38999 Series III
- Shell Material : Stainless Steel
- Shell Plating : Passivated
- Insulator : Thermoplastic
- Contacts : Copper Alloy
- Seals & Grommet : Silicon Elastomer
- Contact Plating : Gold over copper Alloy 0.8µm minimum
- Durability : 500 Mating cycles
- Delivered with Souriau contacts and Accessories
- Temperature Range : -65°C to +200°C
- Salt Spray : 500 hours
- Mass : 28.9 g ± 10%

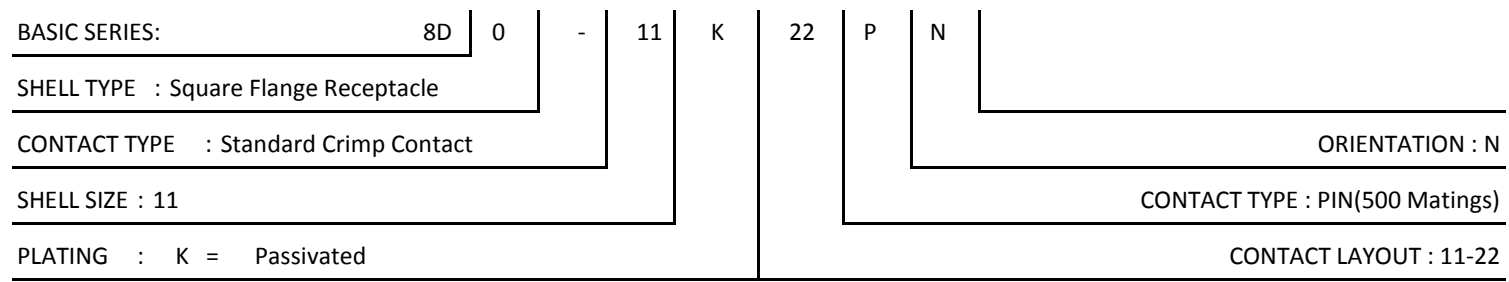
Connector dimension	
Dim	Nominal
P	3.25±0.2
PP	4.93±0.2
R1	20.62
R2	18.26
S	26.2±0.3
V	20.83+0/-1.25
W	2.1/2.5
Z	31.5 Max
VV THREAD	M15x1-6g

SOURIAU shall not be liable for any non-conformity or damage due to a use of the Products which does not comply with the Specifications issued by either of the Parties or by a third party (professional recommendation, technical notice.)

Country	Jurisdiction & Control List
FR	Not Listed

**PN: 8D011K22PN**

A	07-10-2016	First Release	
ISS	DATE	Latest modification - by	MOD N°
Designed By:		Date:	<b>CUSTOMER DRAWING</b>
<b>TITLE</b>	<b>Stainless Steel Receptacle 8D series</b>		
SCALE	NA	General linear Tolerances: ±--	NPRDS / PROJECT <b>859</b>
<b>SOURIAU</b>	<b>WWW.SOURIAU.COM</b>		This document is the property of SOURIAU it must not be reproduced or communicated without permission
FORMAT	<b>A3</b>		<b>SOURIAU DRG N° 8D011K22PN-C</b>
			SHEET 1/2

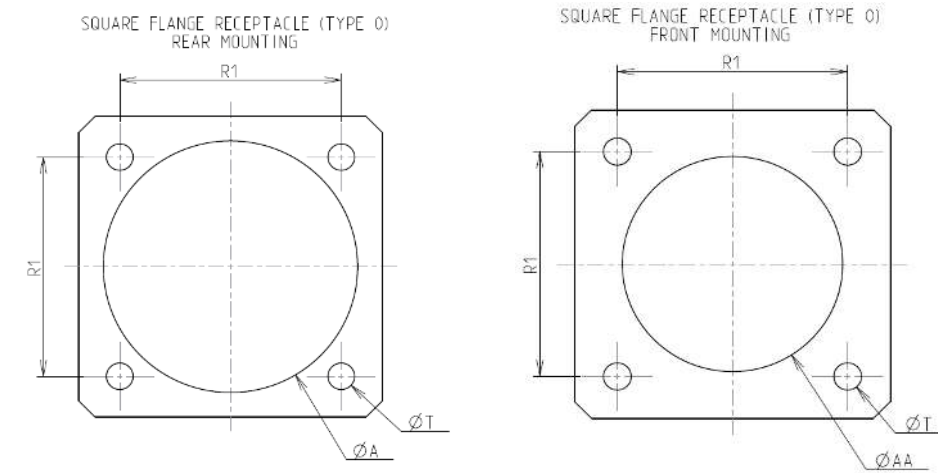


Contact Layout



11-22		
Ctc	X	Y
A	1.905	1.905
B	1.905	-1.905
C	-1.905	-1.905
D	-1.905	1.905

Panel Cutout



Dim	Nominal
ØA	20.22 min
ØAA	15.88 min
R1	20.62
ØT	3.25 ±0.13

SOURIAU shall not be liable for any non-conformity or damage due to a use of the Products which does not comply with the Specifications issued by either of the Parties or by a third party (professional recommendation, technical notice.)

Country	Jurisdiction & Control List
FR	Not Listed

PN: 8D011K22PN

A	07-10-2016	First Release	
ISS	DATE	Latest modification - by	MOD N°
Designed By:		Date:	<b>CUSTOMER DRAWING</b>
<b>TITLE</b>	<b>Stainless Steel Receptacle 8D series</b>		
SCALE		General linear Tolerances:	NPRDS / PROJECT
NA		±--	<b>859</b>
<b>SOURIAU</b>	<b>WWW.SOURIAU.COM</b>		This document is the property of SOURIAU it must not be reproduced or communicated without permission
FORMAT	<b>SOURIAU DRG N° 8D011K22PN-C</b>		SHEET 2/2