

LOC	DIST	REVISIONS					
A	00	P	LTR	DESCRIPTION	DATE	DWN	APVD
			A1	SEE PRODUCTION DRAWING	-	-	-


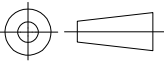
SEE PRODUCTION DRAWING  
1385699

RELEASED FOR PUBLICATION

ALL RIGHTS RESERVED.

THIS DRAWING IS UNPUBLISHED.

By -  
COPYRIGHT -

DIMENSIONS: INCHES	DWN	M.YOUNGER	09MAR2012	MATERIAL	-	FINISH	-			
	CHK	T.ELBIN	09MAR2012	 TE Connectivity						
TOLERANCES UNLESS OTHERWISE SPECIFIED:	APVD	T.ELBIN	09MAR2012							
0 PLC ± -	PRODUCT SPEC	NAME SIDE FEED HDM APPLICATOR								
1 PLC ± -	APPLICATION SPEC									
2 PLC ± -	WEIGHT	-	SIZE	A4	CAGE CODE	00779	DRAWING NO	C-1385699	RESTRICTED TO	-
3 PLC ± -			CUSTOMER DRAWING		SCALE	1:1	SHEET	1 OF 1	REV	A1
4 PLC ± -			ANGLES	± -						