

10

9

8

7

6

5

4

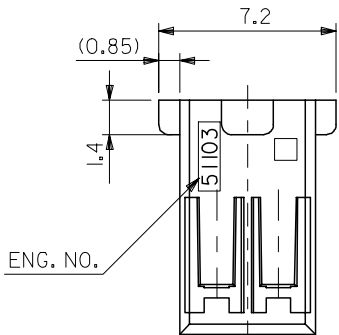
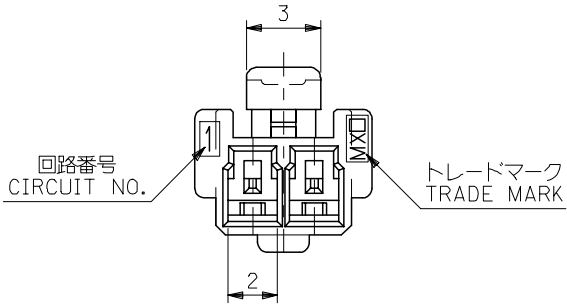
3

2

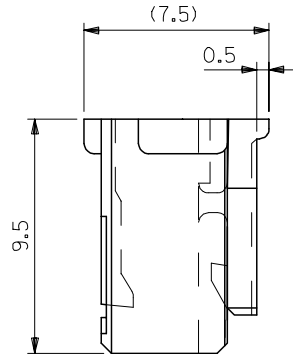
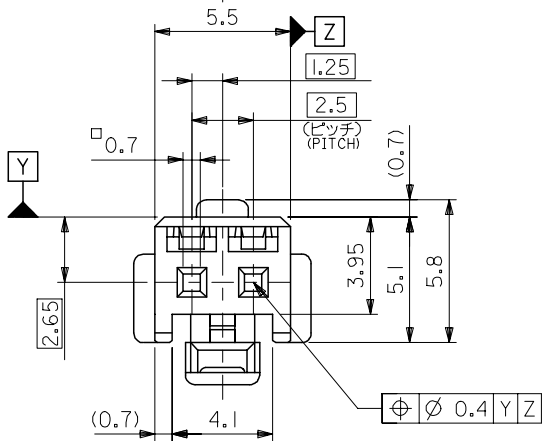
1

回路番号  
CIRCUIT NO.

トレードマーク  
TRADE MARK

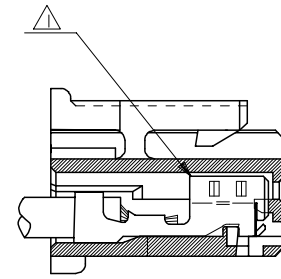


ENG. NO.



注記 NOTES

- △ 適合ターミナル : 5035I-8\*00  
APPLICABLE TERMINAL : 5035I-8\*00
- 2. 嵌合相手 : 53375,53426 シリーズ  
MATE WITH : 53375,53426 SERIES
- △ 偶数極の製品に適用。  
APPLY EVEN CIRCUIT PRODUCTS.
- 4. 製品型番の下1桁は色を表す。  
LAST DIGIT OF PART NUMBER INDICATES COLOR.  
0 : 白 WHITE    1 : 黒 BLACK    2 : 赤 RED  
3 : 黄 YELLOW    4 : 青 BLUE



ターミナル装着状態図  
TERMINAL ASSEMBLY DRAWING

2極に適用  
FOR 2 CKTS.

51103-020*	2
MATERIAL NO.	CIRCUIT

RELEASED EC NO: J2005-2009 DRAWN: M.UMEDA 2005/02/02 CHKD: K.TOYODA 2005/02/04 APPR: N. UKITA 2005/02/14	GENERAL TOLERANCES (UNLESS SPECIFIED)		DIMENSION STYLE MM ONLY		SCALE ---	DESIGN UNITS METRIC	THIRD ANGLE PROJECTION	
	10 UNDER	±0.2	DRAWN BY M.UMEDA		DATE 2005/01/14		TITLE 2.5 W/B CONN. HOUSING (POSITIVE LOCK)	
	10 OVER 30 UNDER	±0.25	CHECKED BY K. TOYODA		DATE 2005/01/14		MOLEX INCORPORATED	
	30 OVER	±0.3	APPROVED BY N. UKITA		DATE 2005/01/14		DOCUMENT NO. SD-51103-021	
	ANGULAR	±3 °	MATERIAL NO.		SEE CHART		SHEET NO. 1 OF 2	
0	DRAFT WHERE APPLICABLE MUST REMAIN WITHIN DIMENSIONS		SIZE A3		THIS DRAWING CONTAINS INFORMATION THAT IS PROPRIETARY TO MOLEX INCORPORATED AND SHOULD NOT BE USED WITHOUT WRITTEN PERMISSION			

9

8

7

6

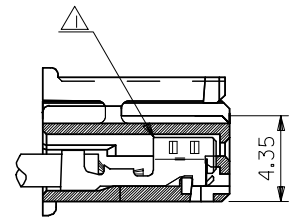
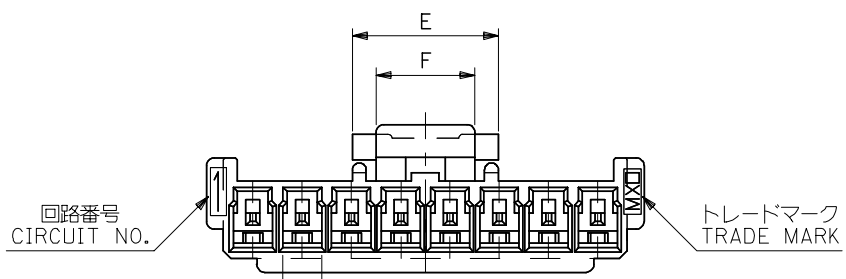
5

4

3

2

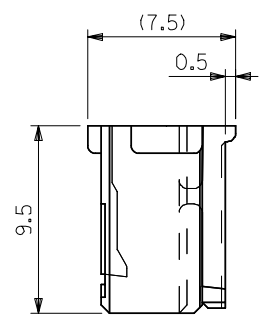
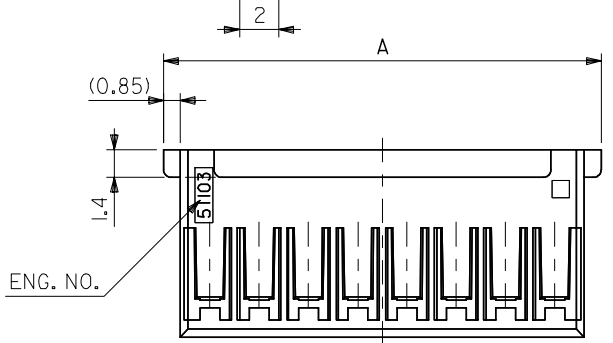
10 9 8 7 6 5 4 3 2 1



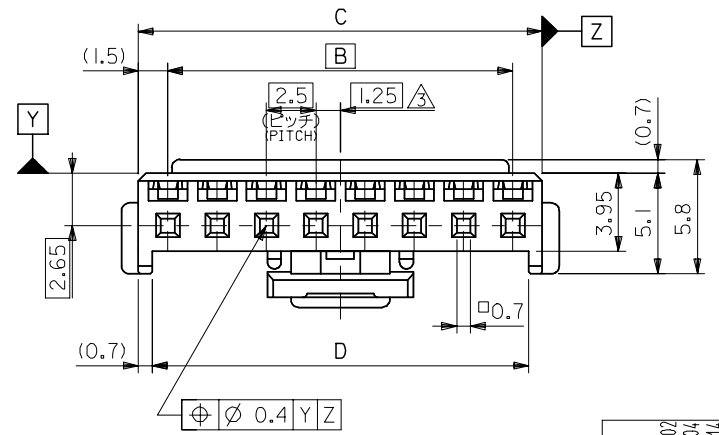
ターミナル装着状態図  
TERMINAL ASSEMBLY DRAWING

注記 NOTES

- △ 適合ターミナル：5035I-8\*00  
APPLICABLE TERMINAL：5035I-8\*00
- 2. 嵌合相手：53375,53426 シリーズ  
MATE WITH：53375,53426 SERIES
- △ 偶数極の製品に適用。  
APPLY EVEN CIRCUIT PRODUCTS.
- 4. 製品型番の下1桁は色を表す。  
LAST DIGIT OF PART NUMBER INDICATES COLOR.  
0：白 WHITE    1：黒 BLACK    2：赤 RED  
3：黄 YELLOW    4：青 BLUE



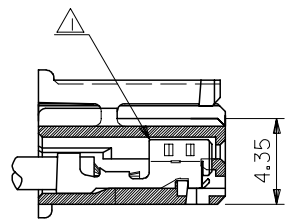
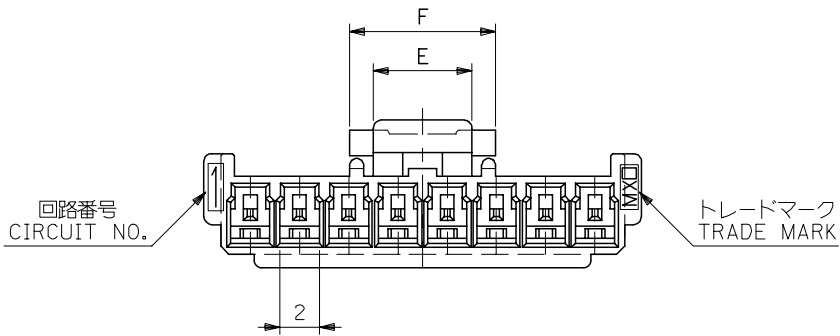
3-15 極に適用  
FOR 3-15 CKTS.



5	7.4	36.6	38	35	39.7	51103-150*	15
↑	↑	34.1	35.5	32.5	37.2	↑ -140*	14
		31.6	33	30	34.7	↑ -130*	13
		29.1	30.5	27.5	32.2	↑ -120*	12
		26.6	28	25	29.7	↑ -110*	11
		24.1	25.5	22.5	27.2	↑ -100*	10
		21.6	23	20	24.7	↑ -090*	9
		19.1	20.5	17.5	22.2	↑ -080*	8
		16.6	18	15	19.7	↑ -070*	7
		14.1	15.5	12.5	17.2	↑ -060*	6
		11.6	13	10	14.7	↑ -050*	5
5	7.4	9.1	10.5	7.5	12.2	↓ -040*	4
3	5	6.6	8	5	9.7	↓ 51103-030*	3
F	E	D	C	B	A	MATERIAL NO.	CIRCUIT

RELEASED EC NO: J2005-2009 DRAWN: MUMEDA 2005/02/07 CHKD: KTOYODA 2005/02/04 APPR: NUKITA 2005/02/14	GENERAL TOLERANCES (UNLESS SPECIFIED)		DIMENSION STYLE MM ONLY		SCALE ---	DESIGN UNITS METRIC	THIRD ANGLE PROJECTION
	10 UNDER	±0.2	DRAWN BY M.UMEDA		DATE 2005/01/14		TITLE 2.5 W/B CONN. HOUSING (POSITIVE LOCK)
	10 OVER 30 UNDER	±0.25	CHECKED BY KTOYODA		DATE 2005/01/14		MOLEX INCORPORATED DOCUMENT NO. SD-51103-021 SHEET NO. 2 OF 2
	30 OVER	±0.3	APPROVED BY N. UKITA		DATE 2005/01/14		
	ANGULAR ±3 °		MATERIAL NO.		SEE CHART		
DRAFT WHERE APPLICABLE MUST REMAIN WITHIN DIMENSIONS		SIZE A3		THIS DRAWING CONTAINS INFORMATION THAT IS PROPRIETARY TO MOLEX INCORPORATED AND SHOULD NOT BE USED WITHOUT WRITTEN PERMISSION			

10 9 8 7 6 5 4 3 2 1

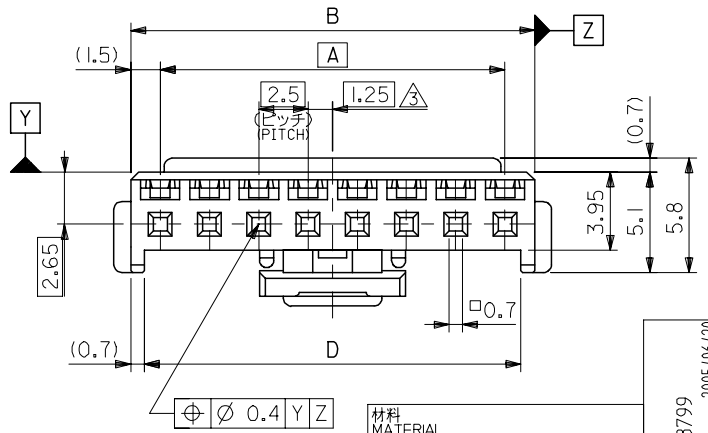
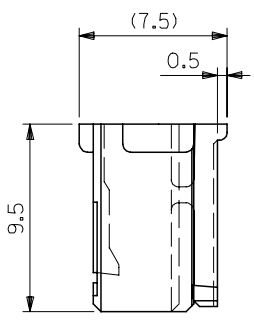
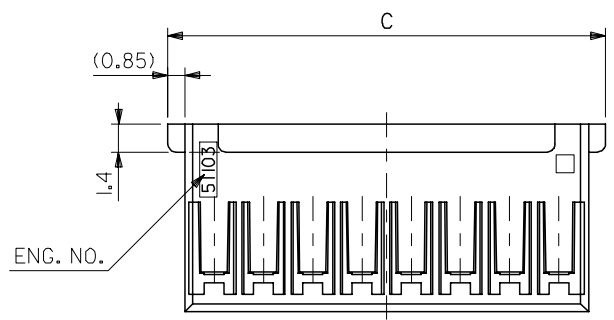


ターミナル装着状態図  
TERMINAL ASSEMBLY DRAWING

注記 NOTES

- △1 適合ターミナル：50351-8\*00  
APPLICABLE TERMINAL：50351-8\*00
- 2. 嵌合相手：53375,53376,53388,53389  
53426 シリーズ  
MATE WITH：53375,53376,53388,53389  
53426 SERIES
- △3 偶数極の製品に適用。  
APPLY EVEN CIRCUIT PRODUCTS.

3-15 極に適用  
FOR 3-15 CKTS.



7.4	5	36.6	39.7	38	35	51103-1500	15
↑	↑	34.1	37.2	35.5	32.5	↑ -1400	14
		31.6	34.7	33	30	↑ -1300	13
		29.1	32.2	30.5	27.5	↑ -1200	12
		26.6	29.7	28	25	↑ -1100	11
		24.1	27.2	25.5	22.5	↑ -1000	10
		21.6	24.7	23	20	↑ -0900	9
		19.1	22.2	20.5	17.5	↑ -0800	8
		16.6	19.7	18	15	↑ -0700	7
		14.1	17.2	15.5	12.5	↑ -0600	6
		11.6	14.7	13	10	↑ -0500	5
7.4	5	9.1	12.2	10.5	7.5	↓ -0400	4
5	3	6.6	9.7	8	5	51103-0300	3
F	E	D	C	B	A	MATERIAL NO.	極数 NO. OF CKT.

材料 MATERIAL	PBTP, UL94V-0 (白色 WHITE)
仕上げ FINISH	-
適用電線範囲 WIRE RANGE	-
被覆外径 INS. RANGE	-

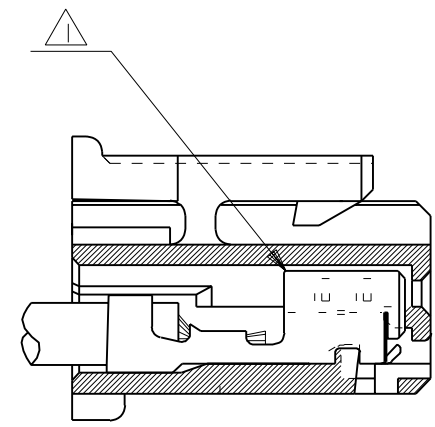
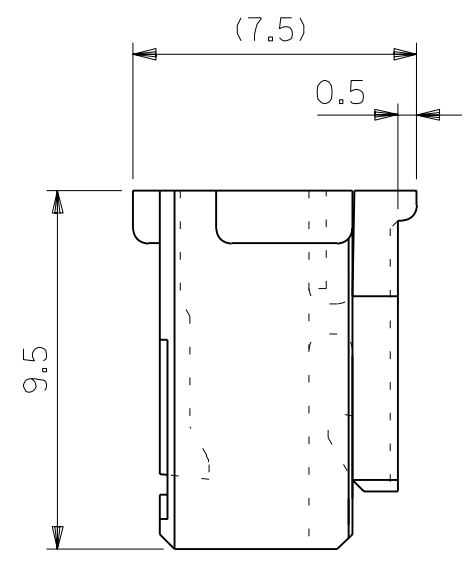
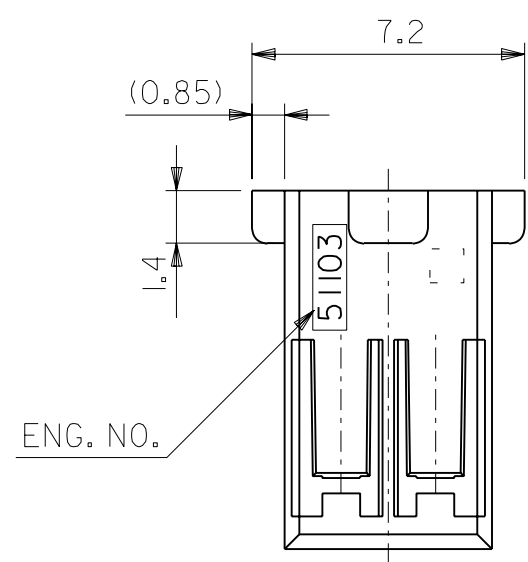
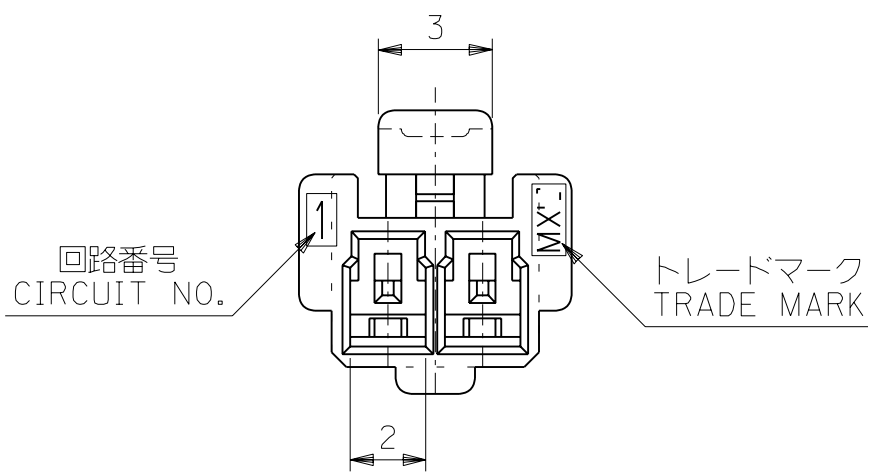
REVISED	EC NO: J2005-3799
DRWN: MABEI	2005/06/20
CHKD: KTOYODA	2005/06/21
APPR: NUKITA	2005/06/27

GENERAL TOLERANCES (UNLESS SPECIFIED)	
10 UNDER	±0.2
10 OVER 30 UNDER	±0.25
30 OVER	±0.3
ANGULAR	±3 °
DRAFT WHERE APPLICABLE MUST REMAIN WITHIN DIMENSIONS	

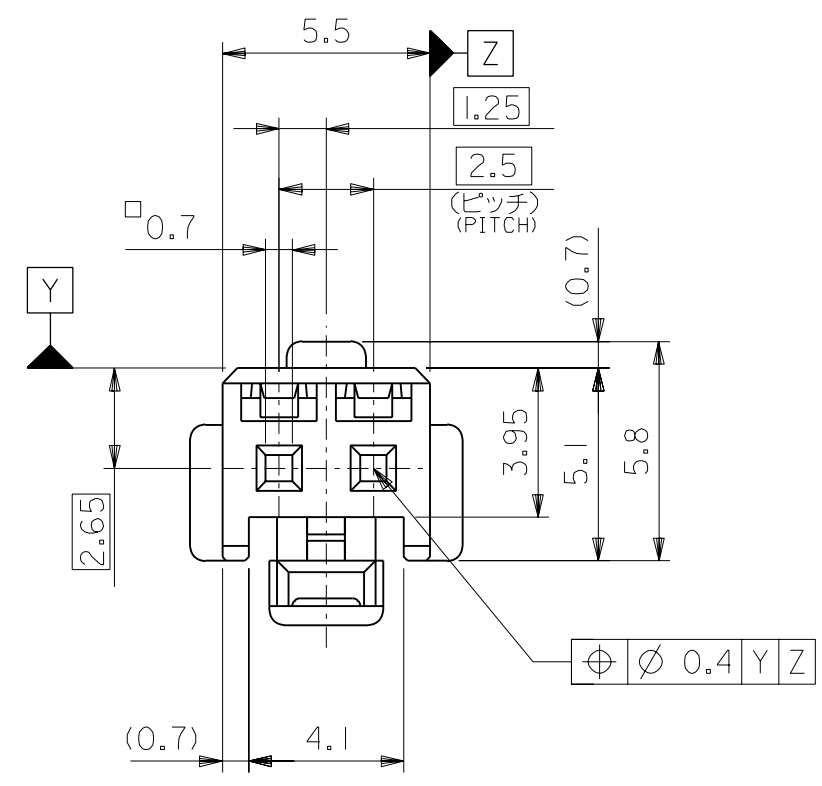
DIMENSION STYLE MM ONLY	
DRAWN BY	DATE
T. ITO	'92/05/06
CHECKED BY	DATE
H. HIRAMOTO	'95/10/03
APPROVED BY	DATE
M. FUKUSHIMA	'95/10/03
MATERIAL NO.	
SEE CHART	
SIZE	A3

SCALE	4:1
DESIGN UNITS	METRIC
THIRD ANGLE PROJECTION	
TITLE	
2.5 WIRE TO BOARD CONN HOUSING (POSITIVE LOCK)	
MOLEX MOLEX INCORPORATED	
DOCUMENT NO.	SHEET NO.
SD-51103-023	1 OF 2
THIS DRAWING CONTAINS INFORMATION THAT IS PROPRIETARY TO MOLEX INCORPORATED AND SHOULD NOT BE USED WITHOUT WRITTEN PERMISSION	

DWG. NO.  
SD-51103-\*\*-00



ターミナル装着状態図  
TERMINAL ASSEMBLY DRAWING



注記 NOTES

- △ 適合ターミナル : 50351-8\*00  
APPLICABLE TERMINAL : 50351-8\*00
- 2. 嵌合相手 : 53375,53426 シリーズ  
MATE WITH : 53375,53426 SERIES

2極に適用  
FOR 2 CKTS.

51103-0200	2
ENG. NO.	極数 NO. OF CKT.

材料 MATERIAL PBTP, UL94V-0 (白色 WHITE)		molex MOLEX-JAPAN CO.,LTD. 日本モレックス株式会社	
仕上げ FINISH —#—		REVISE ONLY ON CAD SYSTEM	
適用電線範囲 WIRE RANGE —#—		TITLE 名称	
被覆外径 INS. RANGE —#—		2.5 WIRE TO BOARD CONN. HOUSING (POSITIVE LOCK)	
DRAWN BY '95/10/03 S.MATSUZAKI	CHK'D BY '95/10/03 Y.M H.HIRAMOTO	DWG. NO. (SHEET 2 OF 2)	REV
APP'D BY '95/10/03 M.FUKUSHIMA	尺度 SCALE 5 : 1	SD-51103-**-00	D
角度 ANGLE ±3°	記号 LTR	変更内容 REVISION RECORD	日付 DATE
30 以上 OVER ±0.3	D	変更 (JC60214)	'95/10/03
10 以上 30 未満 OVER UNDER ±0.25			
10 未満 UNDER ±0.2			
一般公差 GENERAL TOLERANCES			

DIMENSIONS IN METRIC DO NOT SCALE DRAWING

51103.520