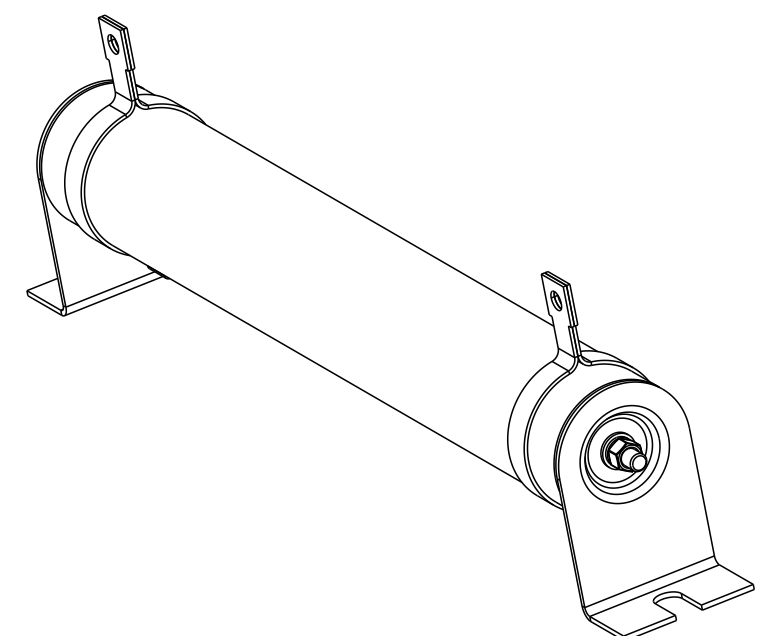
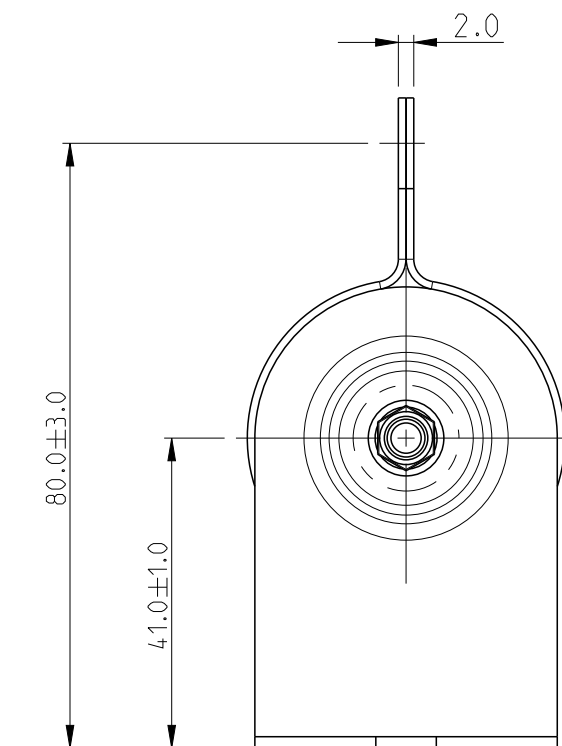
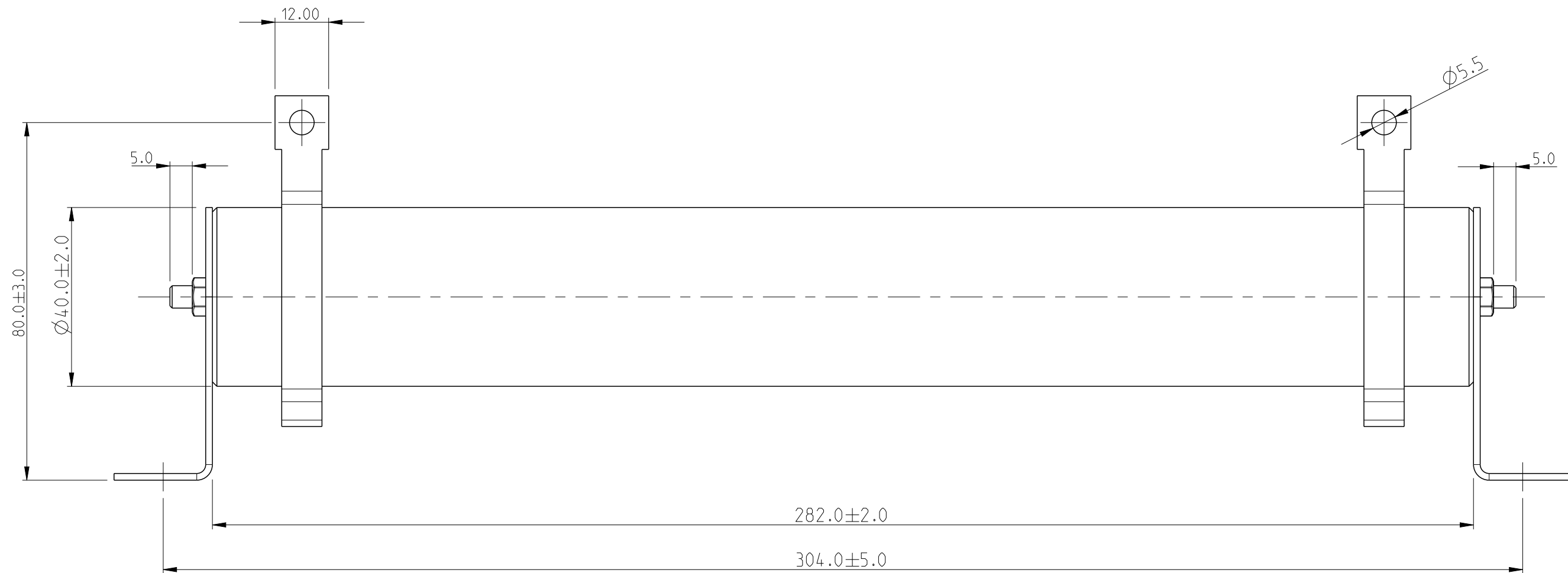
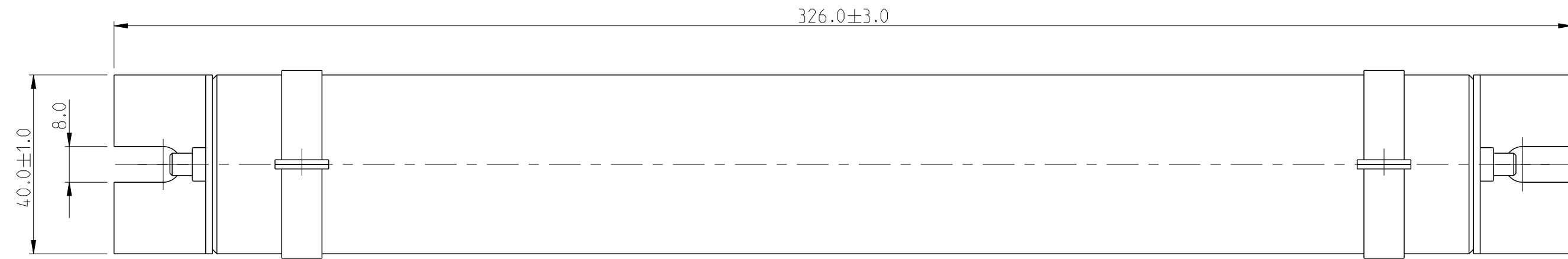


THIS DRAWING IS UNPUBLISHED. RELEASED FOR PUBLICATION 2011
 © COPYRIGHT 2011 BY TYCO ELECTRONICS CORPORATION ALL RIGHTS RESERVED.


LOC		DIST		REVISIONS			
P	LTR	DESCRIPTION		DATE	DWN	APVD	
	BB	ECR-15-016499		16NOV2015	KR	TN	

NOTES:

1. POWER RATING: 300W
2. INSULATION RESISTANCE: DC 500V - 20 M Ohms Min
3. VOLTAGE RESISTABILITY: AC 2500V/1 MINUTE
4. UP TO 9R1 RIBBED 10R UPWARD SMOOTH.
5. TUBE BORE AND SIDE FACES SHOULD BE FREE OF PAINT
6. PARTS SHALL BE BLANK, SMOOTH, FREE OF BURRS AND ALL OTHER FOREIGN MATERIAL
7. FOR FURTHER INFORMATION SEE DATASHEET FOR TE SERIES HIGH POWER WIRE WOUND RESISTOR
8. FOR SPECIFIC PART NUMBER, RESISTANCE VALUE AND TOLERANCE PLEASE REFER TO SMART PART SEARCH



RoHS Compliant

THIS DRAWING IS A CONTROLLED DOCUMENT.		DWN 06APR2012 RAGHAVENDRA K	 TE Connectivity	
DIMENSIONS: mm		CHK 06APR2012 ALLAN P		
TOLERANCES UNLESS OTHERWISE SPECIFIED:		APVD 06APR2012 TONY N	NAME HIGH POWER WIRE WOUND RESISTOR TYPE TE300 SERIES	
0 PLC ±0.5 1 PLC ±0.1 2 PLC ±0.05 3 PLC ± 4 PLC ± ANGLES ±0.5° FINISH		PRODUCT SPEC -	APPLICATION SPEC -	RESTRICTED TO -
MATERIAL -		WEIGHT 620 Gram	SIZE A2	CAGE CODE 00779
		Customer Drawing	DRAWING NO C-1879448	SCALE 1:1
			SHEET 1 OF 1	REV BB