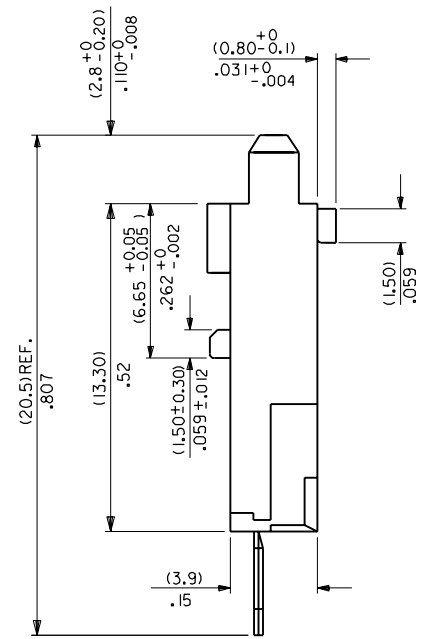
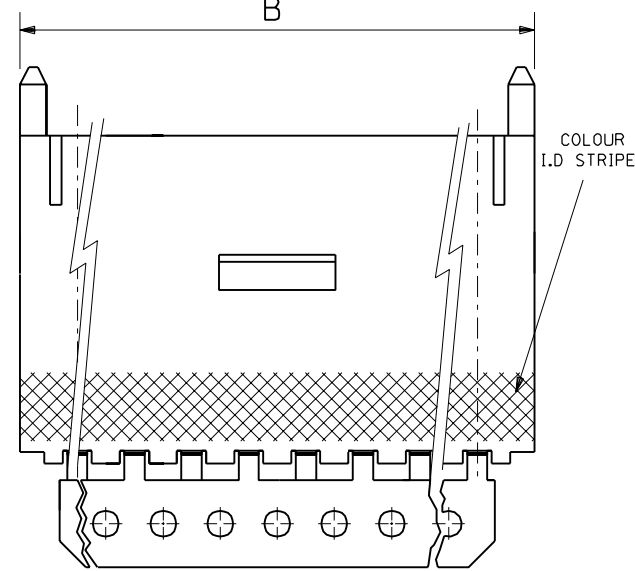
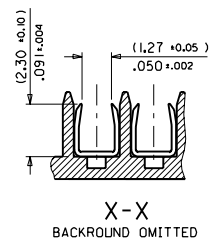
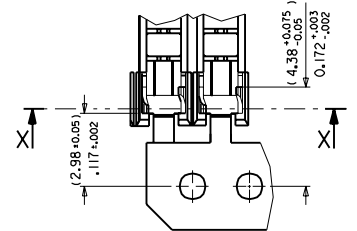
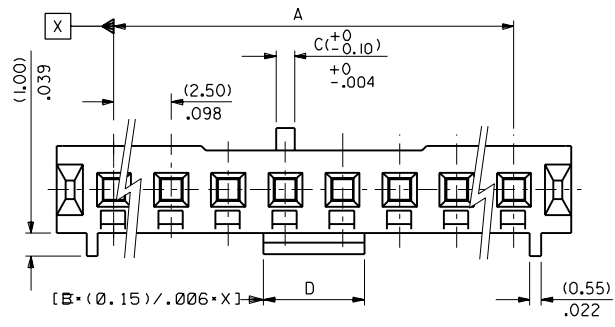
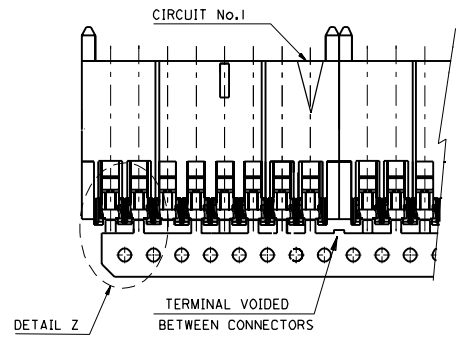
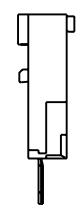
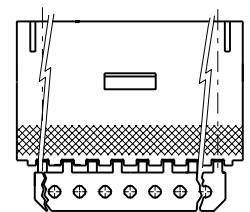
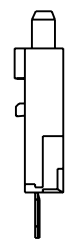
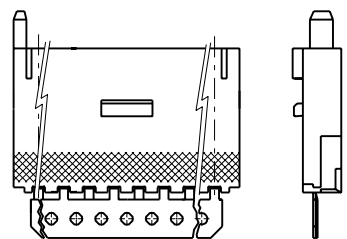
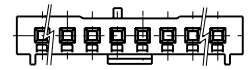
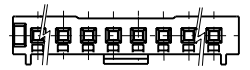


PART NO. SEE CHART
 DWG. NO. SDA-90650E



NOTES: 1. MATERIAL: HOUSING: POLYESTER, 7.5% GLASS FILLED TO UL-94V-0, G.E VALOX 457.
 TERMINAL: PHOSPHOR BRONZE, PLATING: HOT TIN DIP (1.0-3.0UM) / .039-.118UIN.



WIRE TO BOARD WITH ONE POLARISING PEG AND NO KEYS

WIRE TO BOARD WITH POLARISING PEGS REMOVED

NEW PART NO. EC NO. E2001-0673 DRWN: JC 00.12.11 CHK: APPR:	DESCRIPTION	QUALITY SYMBOLS	GENERAL TOLERANCES: (UNLESS SPECIFIED)		SCALE 5 : 1	DESIGN UNITS <input checked="" type="checkbox"/> mm <input type="checkbox"/> INCH	THIRD ANGLE PROJECTION	TITLE:
		MAJOR CRITICAL C	mm	INCH	DRAWN BY & DATE SFARKAS 2000/11/08	CHECKED BY & DATE EFOLAN 2000/11/09	APPROVED BY & DATE MWILHITE 2000/11/09	2.5mm UF Rcpt W+B IDT
F	REV	4 PLACES	±0.	±.	CAD FILENAME S90650X1.DGN		MATERIAL NO. SEE CHART	DRAWING NO. SDA-90650E
		3 PLACES	±0.	±.008	DRAFT WHERE APPLICABLE MUST REMAIN WITHIN DIMENSIONS		SHEET NO. 1 OF 2	
		2 PLACES	±0.20	±.010	THIS DRAWING CONTAINS INFORMATION THAT IS PROPRIETARY TO MOLEX INCORPORATED AND SHOULD NOT BE USED WITHOUT WRITTEN PERMISSION.			
		1 PLACE	±0.25	±.	SIZE B			

2	F
I	F
SHT	REV
REVISE ON CAD ONLY	

MOLEX INCORPORATED

MATERIAL NO. **SEE CHART** DRAWING NO. **SDA-90650E** SHEET NO. **1 OF 2**

PART NO. SEE CHART
DWG. NO. SDA-90650E

CCT. SIZE	ENG. NO.	DIM	DIM	KEY	DIM	COLOUR I.D.	NO. OF CONN. IN CHAIN	VOID	POLARISING PEG POSITION
12	90650-0057 -0041 -0040 -0039	(27.50) 1.083	(32.50) 1.280	- 7 6 5	(5.00) (0.80) .031	PURPLE GREEN RED NATURAL	(5.00) .197		2
11	-0056 -0038 -0037 -0036	(25.00) .984	(30.00) 1.181	- 6 5 4	(0.80) .031	PURPLE GREEN RED NATURAL			2
10	-0055 -0035 -0034 -0033	(22.50) .886	(27.50) 1.083	- 6 5 4	(0.80) .031	PURPLE GREEN RED NATURAL			3
9	-0054 -0032 -0031 -0030 -0029	(20.00) .787	(25.00) .984	- 6 5 4 3	(0.80) .031	PURPLE BLUE GREEN RED NATURAL			3
8	-0053 -0028 -0027 -0026 -0025	(17.50) .689	(22.50) .886	- 6 5 4 3	(0.80) .031	PURPLE BLUE GREEN RED NATURAL			3
7	-0052 -0024 -0023 -0022 -0021	(15.00) .591	(20.00) .787	- 5 4 3 2	(0.80) .031	PURPLE BLUE GREEN RED NATURAL			4
6	-0051 -0020 -0019 -0018 -0017	(12.50) .492	(17.50) .689	- 5 4 3 2	(0.80) .031	PURPLE BLUE GREEN RED NATURAL			4
5	-0050 -9003 -0016 -0015 -0014 -0013 -9002	(10.00) .394	(15.00) .591	- 1 4 3 2 1 1	(0.80) .031	PURPLE NATURAL BLUE GREEN RED NATURAL NATURAL			5 3 2,4
4	-0049 -0012 -0011 -0010 -0009	(7.50) .295	(12.50) .492	- 4 3 2 1	(0.80) .031	PURPLE BLUE GREEN RED NATURAL	(5.00) .197		6
3	-1006 -0048 -0008 -0007 -0006 -0005 -9001	(5.00) .197	(10.00) .394	■ (1.30)/.051 - 1 & 2 (0.80)/.031 3 2 1 1	(1.30) (0.80) .031	RED PURPLE BLUE GREEN RED NATURAL NATURAL	(3.15) .124		NONE 8 2
2	-2001 -0067 -0066 -0047 -0004 -0003 -0002 90650-0001	(2.50) .098	(7.50) .295	- - - - 1 1 & 2 2 1	(1.30)/.051 (0.80)/.031 (1.30) .051	NATURAL BLACK YELLOW PURPLE BLUE GREEN RED NATURAL	(1.20) .047		*CCT 1 END ONLY 10

SEE SHEET 1
EC NO. E200-0673
DRWN: JC 00.12.11
CHK: CH/K
APPR:

QUALITY SYMBOLS
MAJOR =
CRITICAL =
C =

GENERAL TOLERANCES: (UNLESS SPECIFIED)	SCALE	DESIGN UNITS	THIRD ANGLE PROJECTION	TITLE:
4 PLACES ±0. mm ±. INCH	DRAWN BY & DATE SFARKAS 2000/11/09	<input type="checkbox"/> MM <input type="checkbox"/> INCH	<input type="checkbox"/> MM <input type="checkbox"/> INCH <input type="checkbox"/> MM ONLY	2.5mm UF Rcpt W+B IDT
3 PLACES ±0. mm ±. INCH	CHECKED BY & DATE EFOLAN 2000/11/09	APPROVED BY & DATE MWILHITE 2000/11/09		
2 PLACES ±0.20 mm ±. INCH	CAD FILENAME			MATERIAL NO. SEE CHART
1 PLACE ±0.25 mm ±. INCH	DRAWING NO. SDA-90650E			SHEET NO. 2 OF

20	90650-0065 -0073	(47.50) 1.870	(52.50) 2.067	- 9	(0.80) .031	PURPLE BLUE GREEN RED NATURAL	(5.00) .197		1
19	-0064 -0072	(45.00) 1.772	(50.00) 1.969	- 8	(0.80) .031	PURPLE BLUE GREEN RED NATURAL			1
18	-0063 -0071	(42.50) 1.673	(47.50) 1.878	- 8	(0.80) .031	PURPLE BLUE GREEN RED NATURAL			1
17	-0062 -0070	(40.00) 1.575	(45.00) 1.772	- 7	(0.80) .031	PURPLE BLUE GREEN RED NATURAL			1
16	-0061 -0069	(37.50) 1.476	(42.50) 1.673	- 7	(0.80) .031	PURPLE BLUE GREEN RED NATURAL			1
15	-0060 -0068	(35.00) 1.378	(40.00) 1.575	- 6	(0.80) .031	PURPLE BLUE GREEN RED NATURAL			2
14	-0059 -0046 -0045	(32.50) 1.280	(37.50) 1.476	7 6	(0.80) .031	PURPLE RED NATURAL			2
13	-0058 -0044 -0043 90650-0042	(30.00) 1.181	(35.00) 1.378	- 7 6 5	(0.80) .031	PURPLE GREEN RED NATURAL	(5.00) .197		2

DRAFT WHERE APPLICABLE MUST REMAIN WITHIN DIMENSIONS
THIS DRAWING CONTAINS INFORMATION THAT IS PROPRIETARY TO MOLEX INCORPORATED AND SHOULD NOT BE USED WITHOUT WRITTEN PERMISSION.