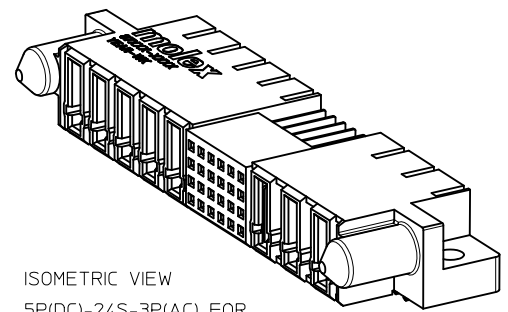
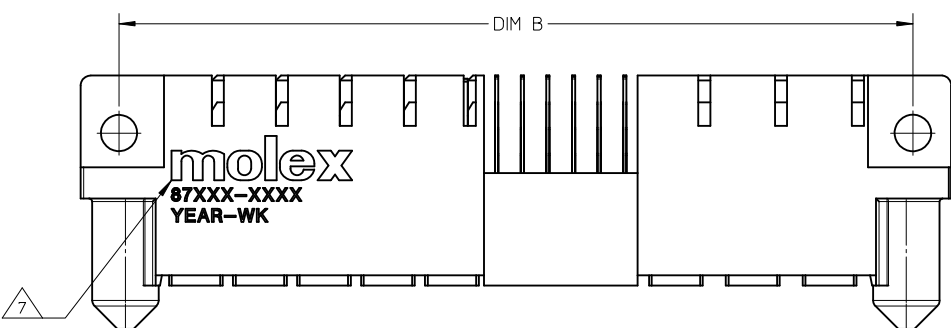
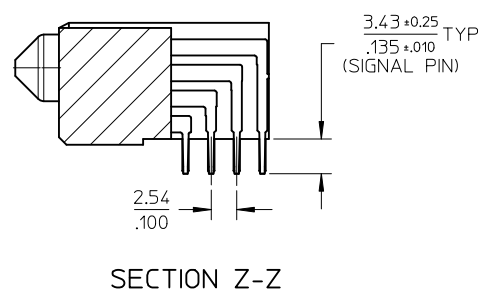
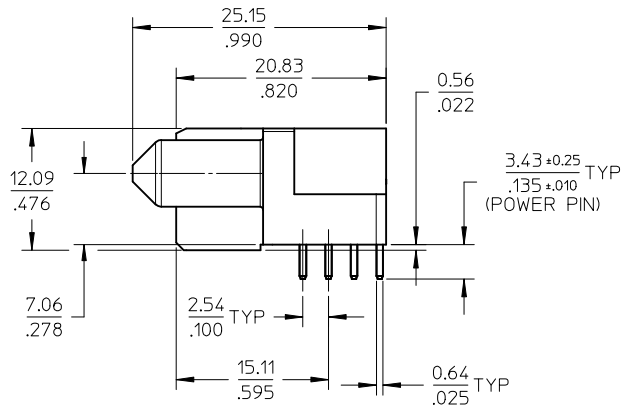
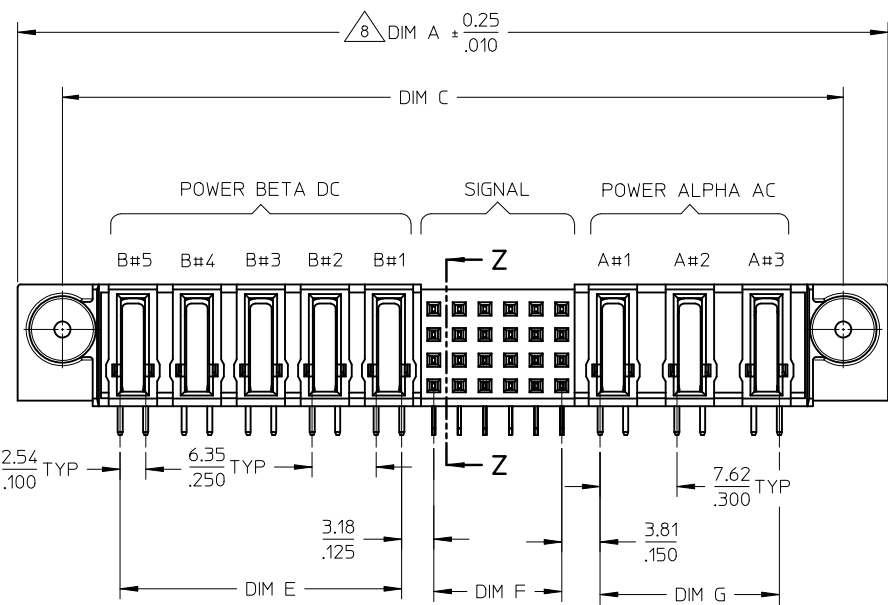


10 9 8 7 6 5 4 3 2 1



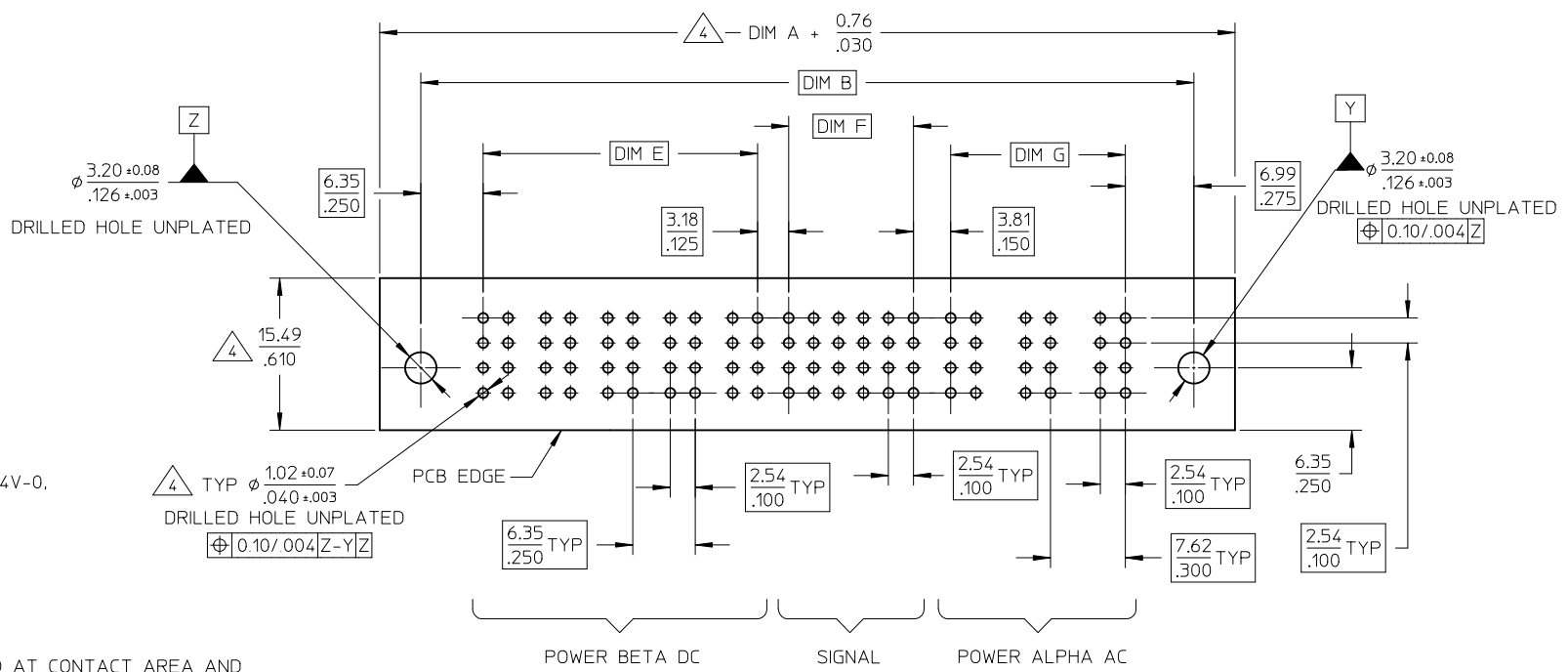
ISOMETRIC VIEW
5P(DC)-24S-3P(AC) FOR
ILLUSTRATION ONLY



UPDATE VIEWS EC NO: S2011-0093 DRWN:SKANG 2010/08/06 CHKD:ATSEE 2010/09/14 APPR:MLONG 2010/09/24	QUALITY SYMBOLS ▽=0 ◻=0	GENERAL TOLERANCES (UNLESS SPECIFIED) mm INCH 4 PLACES ± --- ± --- 3 PLACES ± --- ± .005 2 PLACES ± 0.13 ± .010 1 PLACE ± 0.25 ± --- ANGULAR ± 3 °	DIMENSION STYLE MM/IN DRAWN BY DATE NR VITTAP 2004/06/15 CHECKED BY DATE PTL IM 2004/06/25 APPROVED BY DATE MLONG 2010/09/16	SCALE NTS DESIGN UNITS METRIC THIRD ANGLE PROJECTION	TITLE EXTREME POWERPLUS RECEPT P(A)AC-S-P(B)DC CONFIG. R/A, T/H, S/M
	DRAFT WHERE APPLICABLE MUST REMAIN WITHIN DIMENSIONS	MATERIAL NO. SEE TABLE	MOLEX INCORPORATED DOCUMENT NO. SD-87664-021	SHEET NO. 1 OF 2	
	SIZE A3	THIS DRAWING CONTAINS INFORMATION THAT IS PROPRIETARY TO MOLEX INCORPORATED AND SHOULD NOT BE USED WITHOUT WRITTEN PERMISSION			
	REV C2				

9 8 7 6 5 4 3 2 1

	10	9	8	7	6	5	4	3	2	1			
	P-S-P CONFIGURATION												
	PART NUMBER	POWER BETA DC	SIGNAL	POWER ALPHA AC	DIM A	DIM B	DIM C	DIM D	DIM E	DIM F	DIM G	RECESSED POWER PIN LOCATION	PACKAGING
F	87664-2004	4	24	3	$\frac{80.01}{3.150}$	$\frac{72.39}{2.850}$	$\frac{71.12}{2.800}$	$\frac{56.52}{2.225}$	$\frac{21.59}{0.850}$	$\frac{12.70}{.500}$	$\frac{17.78}{.700}$	A 2, 3 B -----	TRAY



NOTES:

- MATERIALS:-**
 HOUSING - LCP, GLASS FILLED, UL94V-0, COLOUR: BLACK.
 SIGNAL TERMINAL - COPPER ALLOY
 POWER TERMINAL - COPPER ALLOY
- FINISH :-**
 SIGNAL & POWER CONTACTS
 0.76 MICROMETER MINIMUM GOLD (Au) AT CONTACT AREA AND
 2.54 MICROMETER MINIMUM TIN AT SOLDERTAIL AREA
 OVER 1.27 MICROMETER MINIMUM NICKEL (Ni) UNDERPLATE.
- PRODUCT SPECIFICATION : PS-87663-006.**
- COMPONENT STAY AWAY FROM CONNECTOR.**
- PCB NOTE FOR DIAMETER 1.02/.040 PLATED HOLE.**
 - DRILLED HOLE SIZE IS 1.15/ .0453.
 - PLATE WITH 0.007 / .0003 MINIMUM TIN OVER 0.03/.001 TO 0.08/.003 COPPER PLATING TO ACHIEVE 1.02±0.07/.040±.003 HOLE.
- ALL TERMINAL TIPS ARE DESIGNED WITH EXPOSE BASE COPPER.**
 THIS IS CREATED BY FINAL CUTTING PROCESS AFTER PLATING.
 MANUFACTURING LOGO, PART NUMBER AND YEAR-WEEK CODE.
 5P(DC)-24S-3P(AC) IS SHOWN FOR ILLUSTRATION.
 CONNECTOR CONFIGURATION IS AVAILABLE UP TO 203MM/8INCH.
 PLEASE CONTACT MOLEX SALES PERSONNEL FOR OTHER CONFIGURATION AND OPTION NEEDED.

RECOMMENDED PCB LAYOUT

UPDATE VIEWS EC NO: S2011-0093 DRWN:SKANG 2010/08/06 CHKD:ATSEE 2010/09/14 APPR:MLONG 2010/09/24 C2	QUALITY SYMBOLS ANGULAR ± 3 °	GENERAL TOLERANCES (UNLESS SPECIFIED)		DIMENSION STYLE MM/IN		SCALE NTS	DESIGN UNITS METRIC	THIRD ANGLE PROJECTION		
		4 PLACES ± --- ± ---	mm INCH	DRAWN BY NR VITTA P	DATE 2004/06/15	TITLE EXTREME POWERPLUS RECEPT P(A)AC-S-P(B)DC CONFIG. R/A, T/H, S/M				
		3 PLACES ± --- ± .005		CHECKED BY PTL IM	DATE 2004/06/25	MOLEX INCORPORATED				
		2 PLACES ± 0.13 ± .010 1 PLACE ± 0.25 ± ---		APPROVED BY MLONG	DATE 2010/09/16	MATERIAL NO. SEE TABLE	DOCUMENT NO. SD-87664-021	SHEET NO. 2 OF 2		
DRAFT WHERE APPLICABLE MUST REMAIN WITHIN DIMENSIONS		THIS DRAWING CONTAINS INFORMATION THAT IS PROPRIETARY TO MOLEX INCORPORATED AND SHOULD NOT BE USED WITHOUT WRITTEN PERMISSION								