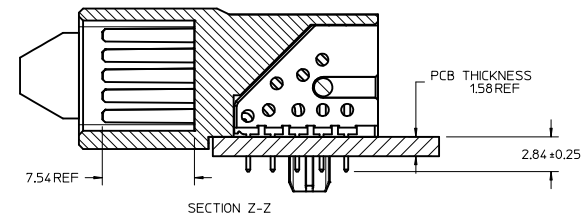
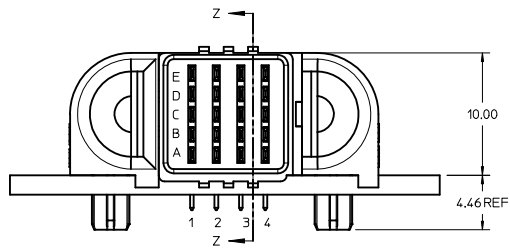


RECOMMENDED PCB LAYOUT AND KEEP-OUT ZONE



SECTION Z-Z

NOTES:

1. MATERIAL:

- HOUSINGS: LCP UL94 V-0, COLOR: BLACK
- TERMINALS: COPPER ALLOY
- PLATING: 0.000127 NICKEL OVERALL WITH 0.00254 SELECTIVE MATTE TIN ON TAILS AND 0.000762 SELECTIVE GOLD ON CONTACT AREA

2. PACKAGING ASSEMBLIES TO BE TRAY PACKED, STD QUANTITY: TBD

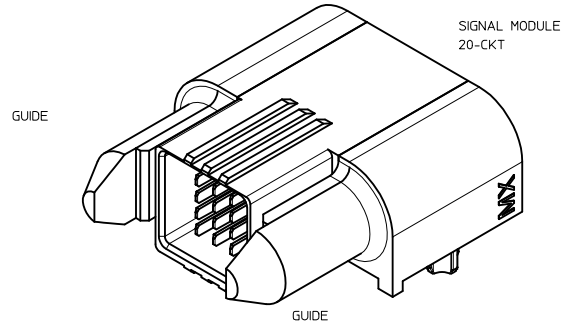
3. PCB BOARD REQUIRES SOLDER THRU HOLES. REFER TO PS-46436-100 FOR DETAILS

4. PRODUCT SPEC: PS-46436-100

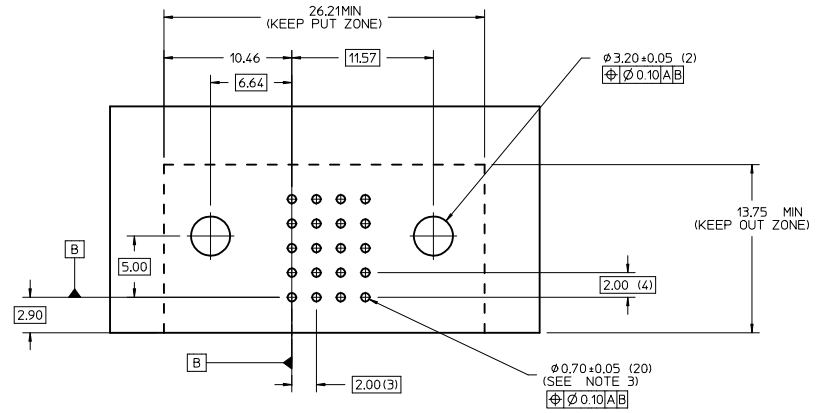
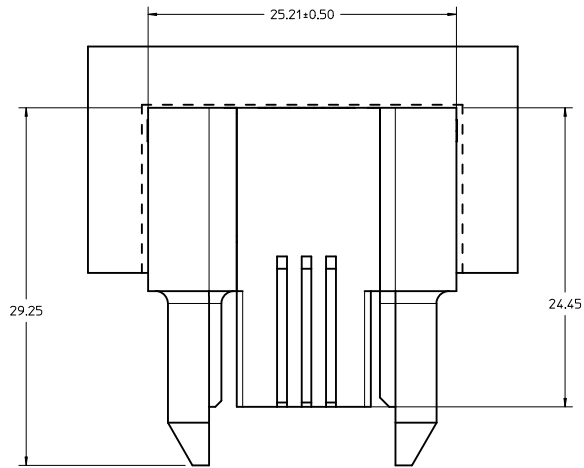
5. APPLICATION SPEC: AS-46436-100

6. SEE PRODUCT SPEC FOR ROHS REQUIREMENTS

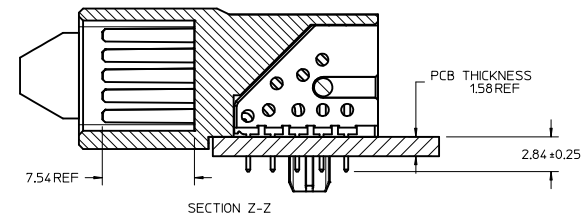
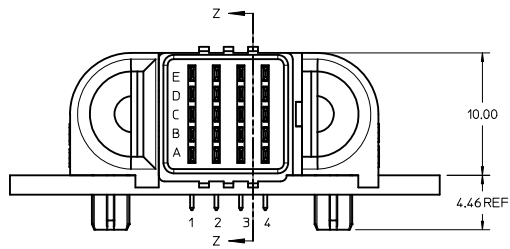
7. ASSEMBLY MATES WITH MOLEX R/A RECEPTACLE ASSEMBLY, P/N 46436-1230



RELEASED IEC NO. UCP2011-3136 DRAWN BY CHYD/BKOSTIC 2011/03/28 APPR:RNELSON 2011/05/18	QUALITY SYMBOLS	GENERAL TOLERANCES (UNLESS SPECIFIED)	DIMENSION STYLE	SCALE	DESIGN UNITS	THIRD ANGLE PROJECTION
	▽=0	mm INCH	MM ONLY	5:1	METRIC	☉
	▽=0	4 PLACES ±--- ±---	BKOSTIC 2011/03/28	TITLE	R/A PLUG ASSY 20-CKT SIGNAL TEN60 POWER FAMILY	
	▽=0	3 PLACES ±0.25 ±---	BKOSTIC 2011/03/28	MOLEX INCORPORATED		SHEET NO. 1 OF 1
	1 PLACE ±0.25 ±---	ANGULAR ±1/2°	APPROVED BY RNELSON 2011/05/18	MATERIAL NO. 46437-1230	DOCUMENT NO. SD-46437-1230	
		DRAFT WHERE APPLICABLE MUST REMAIN WITHIN DIMENSIONS	SIZE D	THIS DRAWING CONTAINS INFORMATION THAT IS PROPRIETARY TO MOLEX INCORPORATED AND SHOULD NOT BE USED WITHOUT WRITTEN PERMISSION		



RECOMMENDED PCB LAYOUT AND KEEP-OUT ZONE



SECTION Z-Z

NOTES:

1. MATERIAL:

- HOUSINGS: LCP UL94 V-0, COLOR: BLACK
- TERMINALS: COPPER ALLOY
- PLATING: 0.000127 NICKEL OVERALL WITH 0.00254 SELECTIVE MATTE TIN ON TAILS AND 0.000762 SELECTIVE GOLD ON CONTACT AREA

2. PACKAGING ASSEMBLIES TO BE TRAY PACKED. STD QUANTITY: TBD

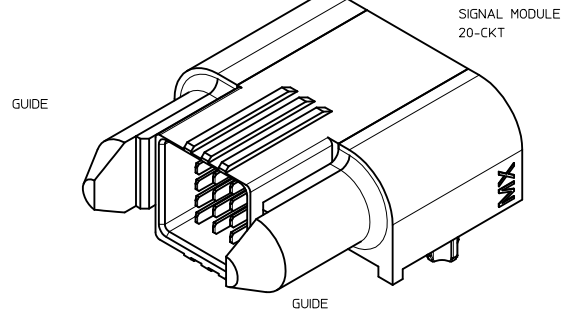
3. PCB BOARD REQUIRES SOLDER THRU HOLES. REFER TO PS-46436-100 FOR DETAILS

4. PRODUCT SPEC: PS-46436-100

5. APPLICATION SPEC: AS-46436-100

6. SEE PRODUCT SPEC FOR ROHS REQUIREMENTS

7. ASSEMBLY MATES WITH MOLEX R/A RECEPTACLE ASSEMBLY, P/N 46436-1230



RELEASED IEC NO: UCP2011-3136 DRAWN BY: DRWNRTHN 2011/04/12 CHECKED BY: CHYKBKOSTIC 2011/03/28 APPR: RNELSON 2011/05/18	QUALITY SYMBOLS	GENERAL TOLERANCES (UNLESS SPECIFIED)	DIMENSION STYLE	SCALE	DESIGN UNITS	THIRD ANGLE PROJECTION																		
	$\nabla=0$ $\nabla=0$ $\nabla=0$	<table border="1"> <thead> <tr> <th></th> <th>mm</th> <th>INCH</th> </tr> </thead> <tbody> <tr> <td>4 PLACES</td> <td>±---</td> <td>±---</td> </tr> <tr> <td>3 PLACES</td> <td>±---</td> <td>±---</td> </tr> <tr> <td>2 PLACES</td> <td>±0.25</td> <td>±---</td> </tr> <tr> <td>1 PLACE</td> <td>±0.25</td> <td>±---</td> </tr> <tr> <td colspan="3">ANGULAR ±1/2°</td> </tr> </tbody> </table>		mm	INCH	4 PLACES	±---	±---	3 PLACES	±---	±---	2 PLACES	±0.25	±---	1 PLACE	±0.25	±---	ANGULAR ±1/2°			MM ONLY DRAWN BY: BKOSTIC DATE: 2011/03/28 CHECKED BY: BKOSTIC DATE: 2011/03/28 APPROVED BY: RNELSON DATE: 2011/05/18	5:1	METRIC	
		mm	INCH																					
	4 PLACES	±---	±---																					
3 PLACES	±---	±---																						
2 PLACES	±0.25	±---																						
1 PLACE	±0.25	±---																						
ANGULAR ±1/2°																								
DRAFT WHERE APPLICABLE MUST REMAIN WITHIN DIMENSIONS			MATERIAL NO: 46437-1230	DOCUMENT NO: SD-46437-1230	R/A PLUG ASSY 20-CKT SIGNAL TEN60 POWER FAMILY MOLEX INCORPORATED																			
			SIZE: D	SHEET NO. 1 OF 1																				