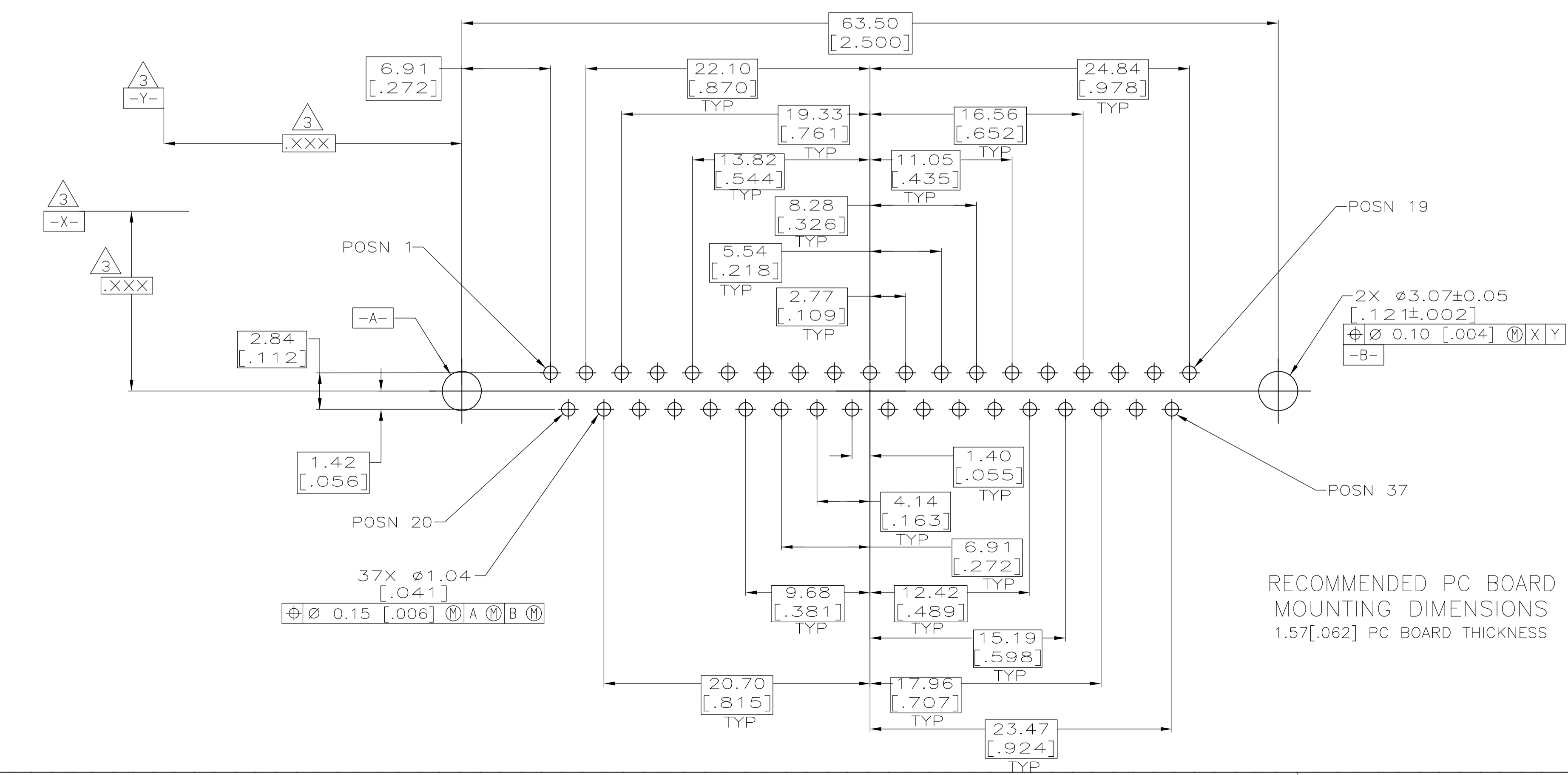
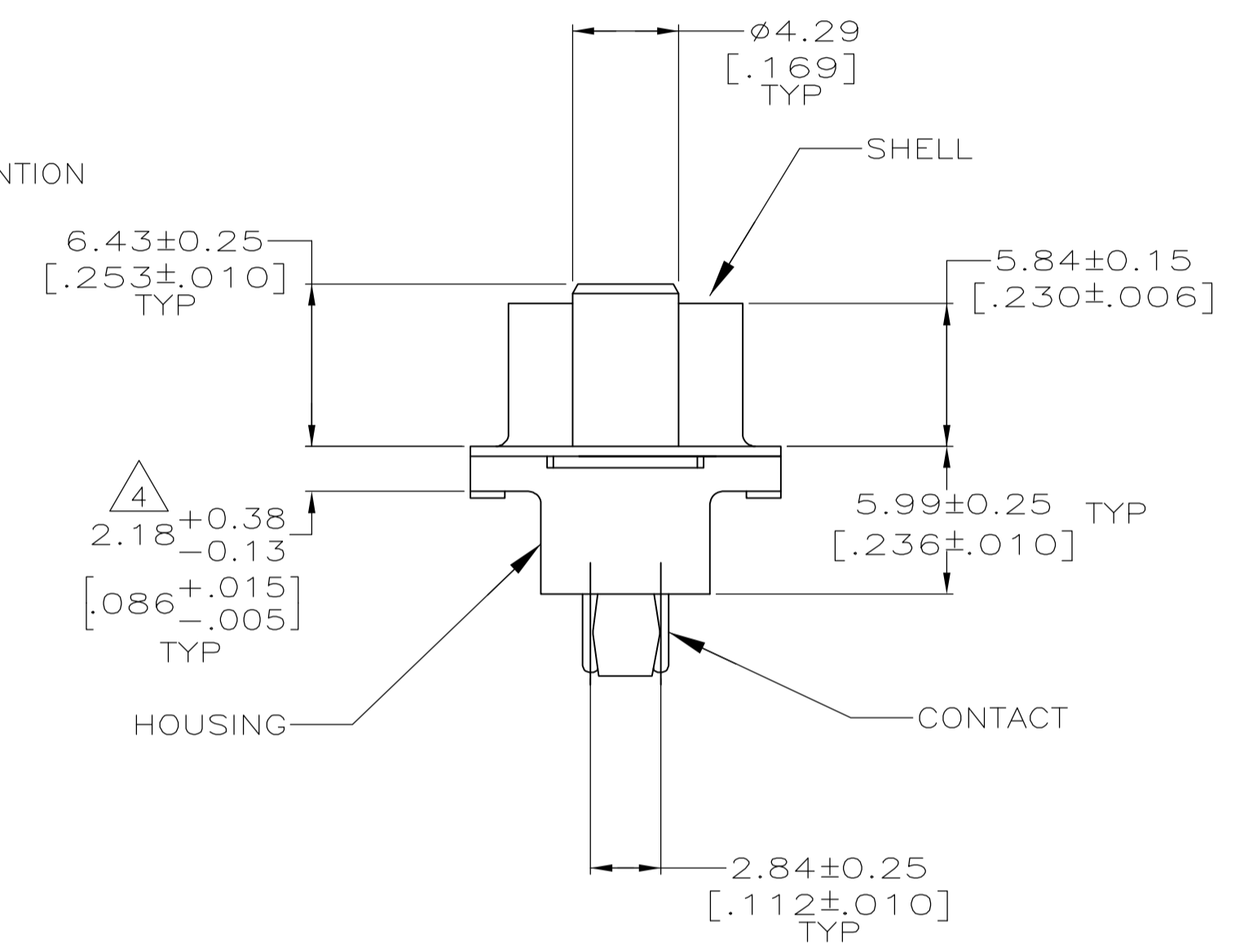
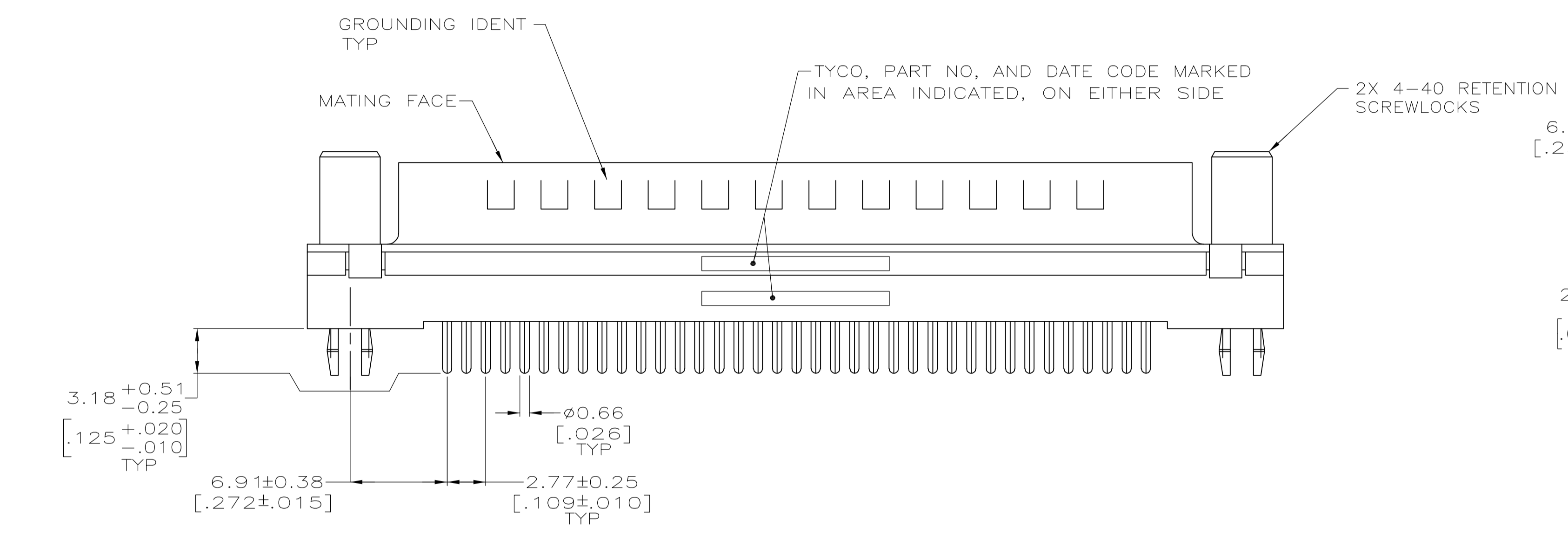


- △ HOUSING: POLYESTER, UL 94V-0 RATED, COLOR BLACK.
- CONTACTS: PHOSPHOR BRONZE.
- RETENTION SCREWLOCKS: BRASS.
- SHELL: CARBON STEEL.
- △ SHELL: 5.08um [.000200] MIN TIN OVER 2.54um [.000100] MIN COPPER.
- CONTACTS: 0.76um [.000030] MIN GOLD FOR A LENGTH OF 3.81 [.150] MIN FROM MATING END, 2.54um [.000100] MIN TIN ON OPPOSITE END, BOTH OVER 1.27um [.000050] MIN NICKEL.
- OR-
- GOLD FLASH OVER 0.76um [.000030] MIN PALLADIUM NICKEL PLATED FOR A LENGTH OF 3.81 [.150] MIN FROM MATING END, 2.54um [.000100] MIN TIN ON OPPOSITE END, BOTH OVER 1.27um [.000050] MIN NICKEL.
- RETENTION SCREWLOCKS: 2.54um [.000100] MIN TIN OVER 1.27um [.000050] MIN NICKEL OVER COPPER FLASH.
- △ DATUMS AND BASIC DIMENSIONS ESTABLISHED BY CUSTOMER.
- △ 2.79[.110] MAX IN SHELL TAB CLINCH AREAS.



RECOMMENDED PC BOARD MOUNTING DIMENSIONS
 1.57[.062] PC BOARD THICKNESS

5787686-1
 PART NUMBER

| | | | | | |
|---|--|------------------------|--|---|--|
| THIS DRAWING IS A CONTROLLED DOCUMENT. | | DIN B LATTUCA 03OCT05 | | Tyco Electronics Corporation Harrisburg, PA 17105-3608 | |
| DIMENSIONS: mm [INCHES] | | CHK S BOLASH 03OCT05 | | NAME M WALMSLEY 03OCT05 | PLUG ASSEMBLY, SIZE 4, 37 POSITION, FRONT METAL SHELL, RETENTION SCREWLOCKS, AMPLIMITE HD-20 |
| TOLERANCES UNLESS OTHERWISE SPECIFIED: | | PRODUCT SPEC 108-40025 | | APPLICATION SPEC 114-40023 | |
| 0 PLC ± - 1 PLC ± - 2 PLC ± 0.13 [.005] 3 PLC ± - 4 PLC ± - ANGLES ± - | | WEIGHT - | | SCALE 4:1 SHEET 1 OF 1 REV B | |
| MATERIAL 1 | | FINISH 2 | | CUSTOMER DRAWING | |