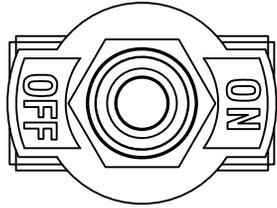


APPROVED: _____

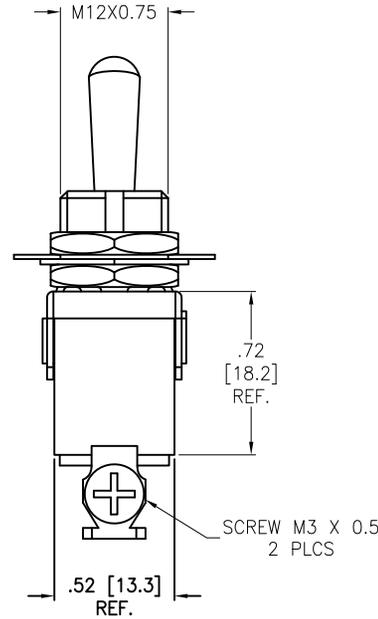
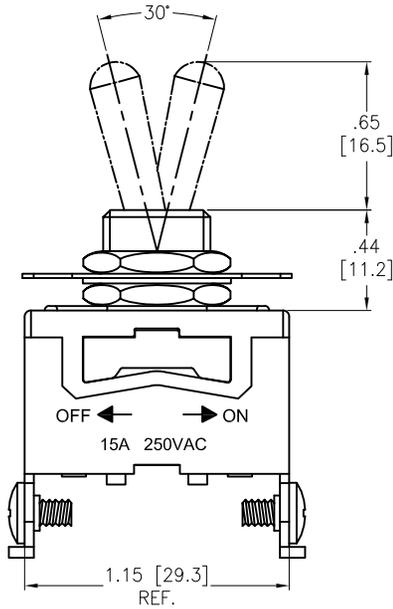
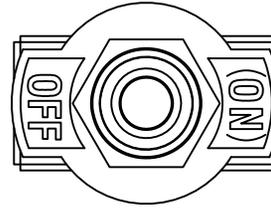
DATE: _____ TITLE: _____

Rev	AWO #	Description	Date	Appr
-		RELEASED	11/11/20	
A		UPDATE SPEC.	8/10/21	WX/RC
B		UPDATE SPEC.	10/19/21	JJ/RC
C		UPDATED DRAWING	6/21/22	JJ/MC
D		UPDATED COLOR	11/22/22	LH/LL1

SW-T1-1A-D-K1



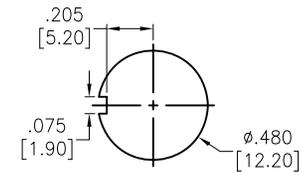
SW-T1-1C-D-K1



SW-T1-1X-D-K1
 A=ON-OFF
 C=OFF-(ON)



CIRCUIT DIAGRAM
(SPST)



RECOMMENDED
PANEL CUT-OUT

SPECIFICATIONS:

Material:

Body: Bakelite, Color: Red Brown

Lever: Brass, Nickel plated

Terminal: Brass, Silver plated

Electrical:

Rating: 15A @ 250V AC

Contact resistance: 50 mΩ max

Insulation resistance: 1000 MΩ min (500V DC)

Dielectric withstanding voltage: 1500V AC for 1 minute

Electrical Life: 10,000 cycles

Temperature Rating:

Operating temperature: -25°C to +85°C

Environmental:

Lead free, RoHS compliant



UNLESS OTHERWISE SPECIFIED ALL DIMENSIONS ARE INCHES [MM]. TOLERANCES: EXCEPT AS NOTED

INCHES		HOLES	
.x	±.10	∅x	±.10
.xx	±.020	∅xx	±.015
.xxx	±.015	∅xxx	±.010

DRAWN	OW	11/11/20
CHECKED	AC	11/11/20
APPROVED		

THIS DRAWING CONTAINS INFORMATION THAT IS PROPRIETARY AND SHOULD NOT BE USED WITHOUT PRIOR WRITTEN PERMISSION FROM ADAM TECH

**ADAM
TECH**

909 Rahway Avenue,
Union, NJ 07083
Phone: 908-687-5000
Fax: 908-687-5710

TITLE SWITCH, TOGGLE MEDIUM, SPST,
ON-OFF, OFF-(ON), SCREW LUG

SIZE	PART NO.	REV.
X	SW-T1-1X-D-K1	D

REF: S00206C SCALE: NTS SHEET 1 OF 1