

# POWR-GARD® Blocks & Holders

## LFPXV Touch-Safe Fuse Holder

1500 V • 32 A



### Description

The LFPXV series touch-safe dead front fuse holders are designed to hold 1500 V 10x85 mm fuses. These fuse holders are DIN rail mountable and easily removed with no additional fuse pullers or tools.

### Features & Benefits

FEATURES	BENEFITS
<b>Finger-safe design</b>	Maximum safety for personnel
<b>35 mm DIN rail mountable</b>	Easy installation in various settings
<b>Compact design</b>	Ultimate flexibility, space-saving
<b>Evaluated for use with copper alloy busbars</b>	Improve reliability

### Applications

- For use with Littelfuse SPXV/SPXV-S Fuses



Look for this logo to indicate products that are used in solar applications. Visit our website [littelfuse.com/solar](http://littelfuse.com/solar) for the latest updates on approvals, certifications, and new products.

# POWR-GARD® Blocks & Holders

## LFPXV Touch-Safe Fuse Holder

### Specifications

<b>Voltage Ratings</b>	1500 V dc
<b>Amperage Rating</b>	32 A
<b>SCCR Rating</b>	50 kA
<b>Power Dissipation:</b>	8W Maximum
<b>Fuse Type</b>	10x85 mm
<b>Material</b>	Thermoplastic Fuse Clip: Silver plated copper alloy Screws: Zinc plated steel
<b>Operating Temperature</b>	-55 °C to +125 °C
<b>Flammability Rating</b>	UL94 V-0
<b>Temperature Stability</b>	Body: 130 °C Carrier: 140 °C
<b>Applicable Standards</b>	UL 4248-19 Listed, IEC 60269-6
<b>Environmental</b>	RoHS compliant, Lead (Pb) free, REACH Recommended DIN Rail, TH 35-7,5 per IEC 60715

WIRE TYPE	
75 °C or 90 °C CU Only Stranded	UL Class B and Class C wire
	AlphaWire PV series Photovoltaic Wire
	IEC Class 5 Flexible Wire

BUSBAR SPECIFICATIONS			
TERMINAL	THICKNESS	WIDTH	TORQUE
Maximum	0.188 in (4.78 mm)	0.290 in (7.37 mm)	24-28 lb-in (2.71–3.16 N-m)
Minimum	0.125 in (3.18 mm)	0.200 in (5.08 mm)	

### Certification & Compliance

<b>UL</b>	UL listed (File:E345481)
<b>CE</b>	EU Declaration of Conformity (File: LFPXV_200921)

### Accessories

Littelfuse SPXV/SPXV-S Fuses



Look for this logo to indicate products that are used in solar applications. Visit our website [littelfuse.com/solar](https://www.littelfuse.com/solar) for the latest updates on approvals, certifications, and new products.

# POWR-GARD® Blocks & Holders

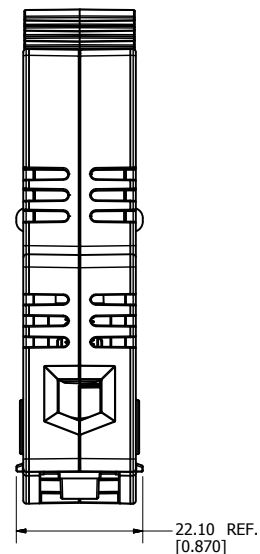
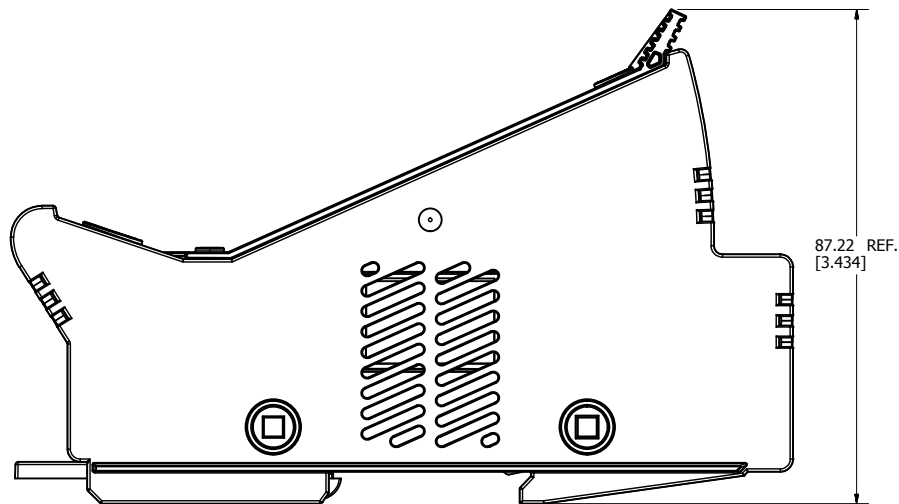
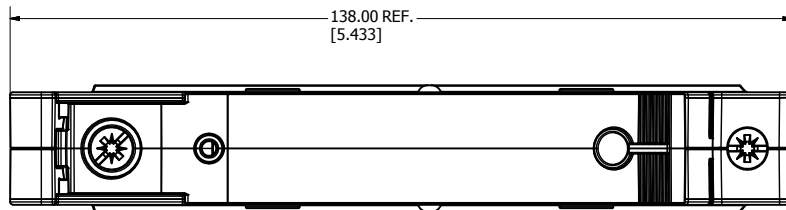
## LFPXV Touch-Safe Fuse Holder

### Ordering Information

SERIES	VOLTAGE (V DC)	POLES	CATALOG NUMBER	ORDERING NUMBER	PACK QTY	TERMINAL INFORMATION			
						TERMINAL TYPE	NUMBER OF WIRES	WIRE SIZE	TORQUE
LFPXV	1500	1	LFPXV001	LFPXV0001Z	20	Box Lug	1	4–14 AWG (25–2.5 mm <sup>2</sup> )	24–28 lb-in (2.71–3.16 N-m)
							1	16–18 AWG (1.5–0.75 mm <sup>2</sup> )	18–22 lb-in (2.03–2.49 N-m)
							2*	6–14 AWG (16–2.5 mm <sup>2</sup> )	26–30 lb-in (2.94–3.69 N-m)
							2*	16–18 AWG (1.5–0.75 mm <sup>2</sup> )	20–24 lb-in (2.26–2.71 N-m)

\*Must be the same wire type and cross sectioned size

### Dimensions mm (inches)



**Disclaimer Notice** – Information furnished is believed to be accurate and reliable. However, users should independently evaluate the suitability of and test each product selected for their own applications. Littelfuse products are not designed for, and may not be used in, all applications. Read complete Disclaimer Notice at [www.littelfuse.com/product-disclaimer](http://www.littelfuse.com/product-disclaimer).