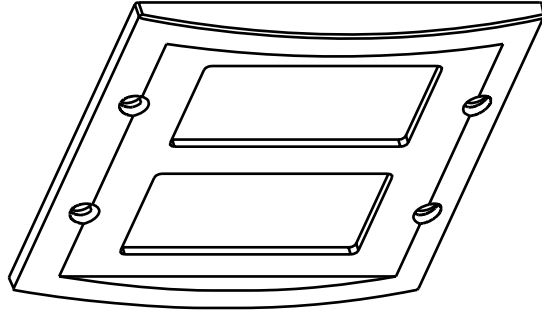
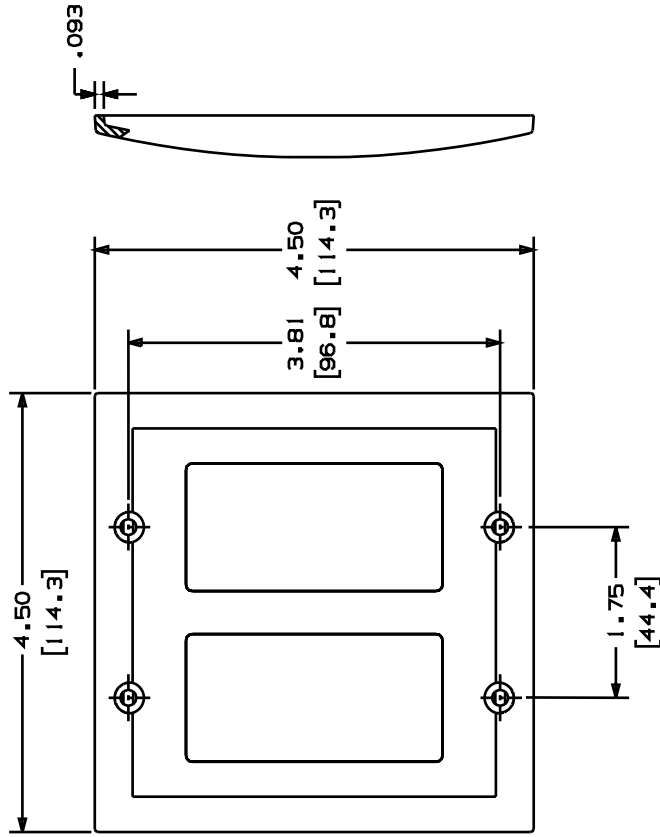


THIS COPY IS PROVIDED ON A RESTRICTED BASIS AND IS NOT TO BE USED IN ANY WAY DETRIMENTAL TO THE INTERESTS OF PANDUIT CORP.

PANDUIT P/N	WEIGHT
ECPG-2G	.57 LB/10 PCS (260 G/10 PCS)

NOTES:

- SEE CURRENT CATALOG FOR ADDITIONAL PART NUMBER SUFFIXES TO INDICATE COLOR AND OR PACKAGE QUANTITY.
- ACCEPTS TWO NEMA STANDARD "GFCI" SWITCHES AND RECEPTACLES.
- FOUR (4) #6 - 32 X 1/4 SCREWS ARE PROVIDED WITH FACEPLATE.
- ALL DIMENSIONS IN PARENTHESIS ARE IN METRIC.



CAD FILENAME/LAYERS

D35544B0\_ECPG2G\_C\_00

PANDUIT

CORP. TINLEY PARK, ILLINOIS

EXECUTIVE DOUBLE GANG GFCI FACEPLATE (ECPG-2G)

CUSTOMER DRAWING

UNLESS OTHERWISE SPECIFIED, DIMENSIONAL TOLERANCES ARE:  
(.XX) ±.03(.8) ANGLES:  
(.XX) ±.010(.3)

UNLESS OTHERWISE SPECIFIED, ALL DIMENSIONS ARE GIVEN IN INCHES, THIRD ANGLE PROJECTION.

DRAWN BY JBA MAT'L: ABS

SCALE HALF

DATE 7-23-96

CHK

DWG NO. 35544-14

SIZE A

RELEASED TO PRODUCTION.

ECN 35544-14

CUST

CHECKED BY

CHK

SUP

REV

DATE 7-23-96

BY JBA

DESCRIPTION

ECN 35544-14

CUST

CHECKED BY

CHK

SUP

REV