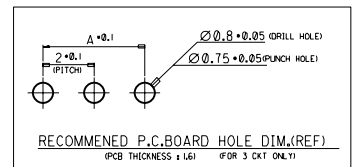
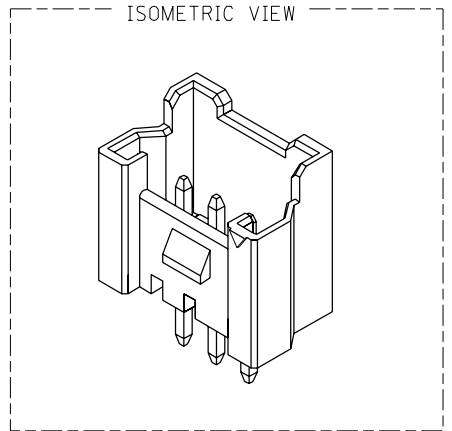
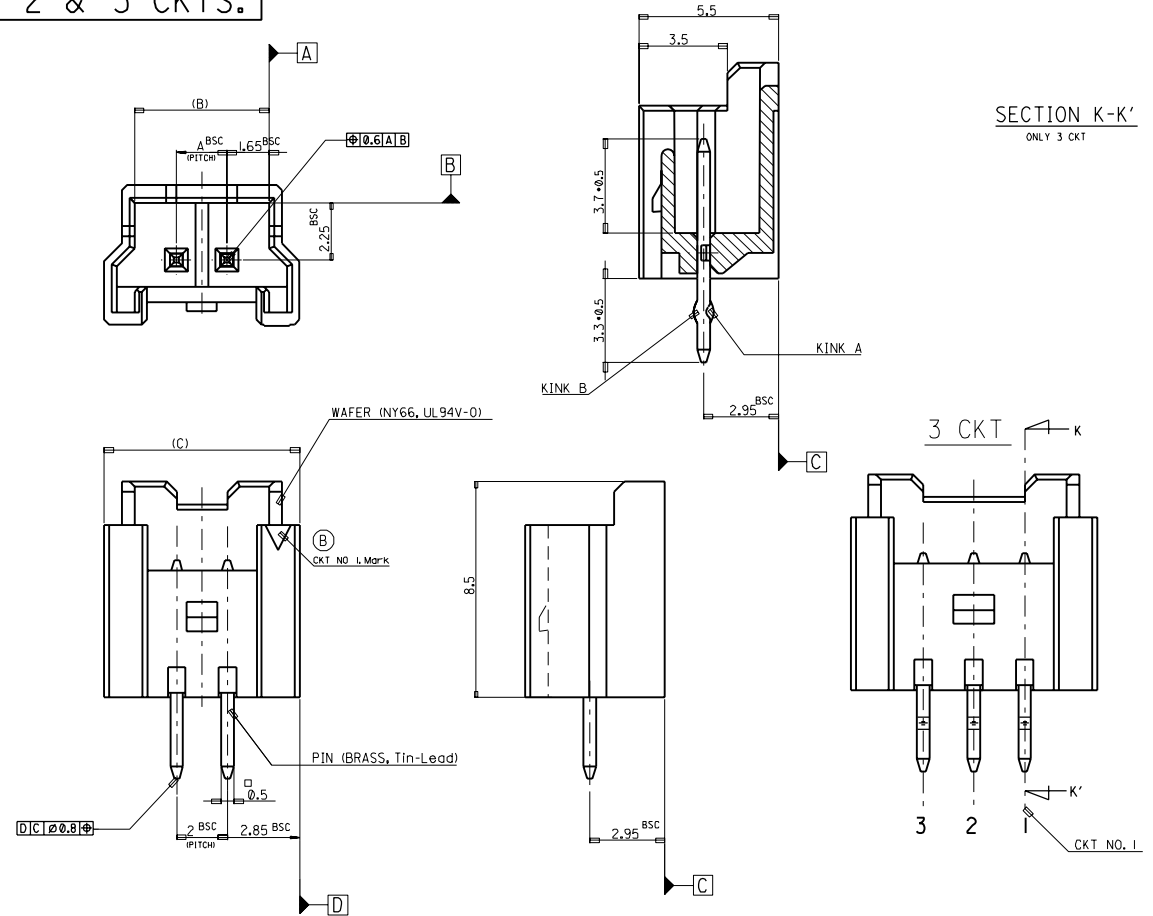


PROJECT NO. SIMILAR ITEM EDP NO. ENG. NO. SD-35362-001

FOR 2 & 3 CKTS.



NOTES

- MATING HOUSING : 35507-**-0*
- MATING TERMINAL : 50212-8000
- KINK

	CKT NO	1	2	3
CKT				
2 CKT		NONE KINK		
3 CKT		A	B	A

3. PRODUCT SPECIFICATION NO : PS-35507-001

9,7	7,3	4	-03**	3
7,7	5,3	2	35362-02**	2
(C)	(B)	A	ENG. NO.	CKT

LEGEND

SD-35362-***
 CKT NO. _____ COLOR _____

FINAL GOOD (BULK) 1 : SELECTIVE KINK
 2 : NONE KINK

SUB ASSY (TUBE) 3 : SELECTIVE KINK
 4 : NONE KINK

① 0 : NATURAL
 1 : BLACK
 2 : RED
 3 : YELLOW
 4 : BLUE
 5 : GREEN

② KINK

30 over	+0.3
10 over 30 under	±0.25
10 under	±0.2
ANGLE	±3°
GENERAL TOLERANCE	

Ⓔ	Revised	KOR 2001-0205	010118
Ⓓ	Revised	KOR 1998-0126	981007
Ⓒ	Revised	KOR 1998-0862	980423
Ⓔ	Revised	KOR7-013	970901
A	Release to manufacturer	KOR7-0034	970404
LTR	REVISION RECORD	ECN	DATE
REVISE ONLY ON CAD SYSTEM			

MATERIAL	
GENERAL TOLERANCE	
DIMENSION CLASSIFICATION	
ASS'Y PART	
DESCRIPTION/ENG. NO.	

molex MOLEX-KOREA CO.,LTD.

DRAWN BY 96.09.11 Y.S.Kim CHK'D BY J.K.Oh

APP'D BY C.W.Lee SCALE 1 : 1

TITLE: NEW 2.0 W/B CONN WAFER ASSY (ST)

ENG. NO. SD-35362-001

SHEET 2/3

REV E