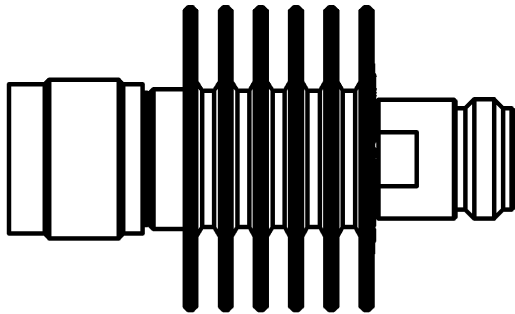
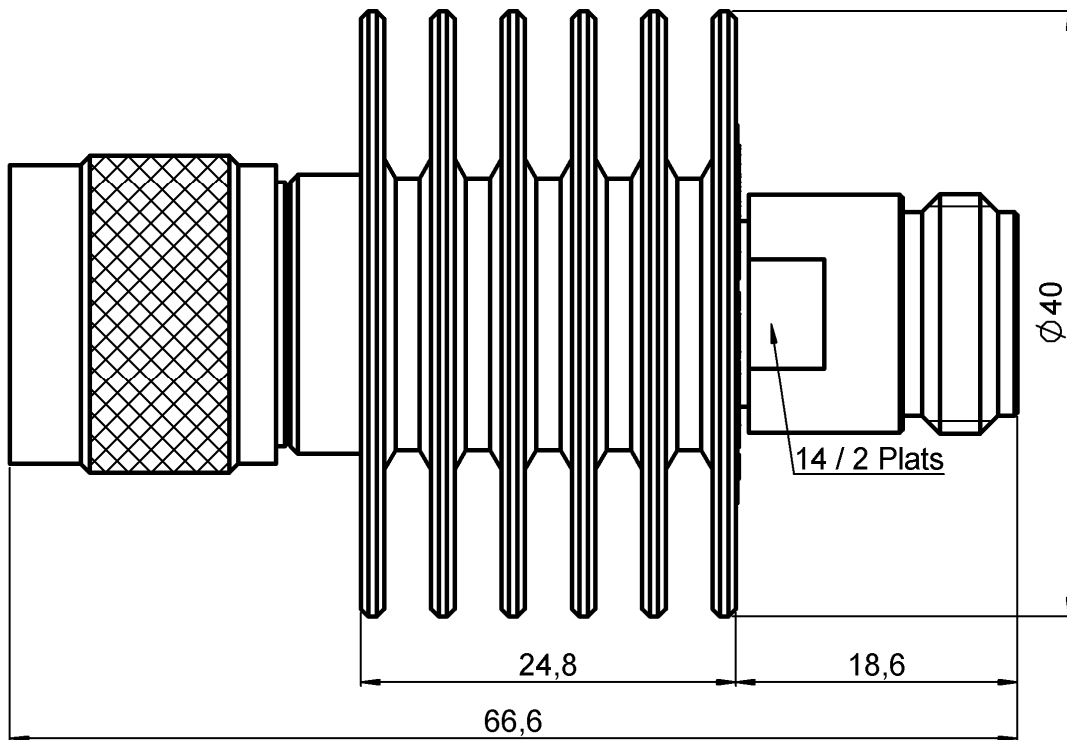
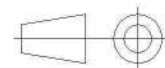
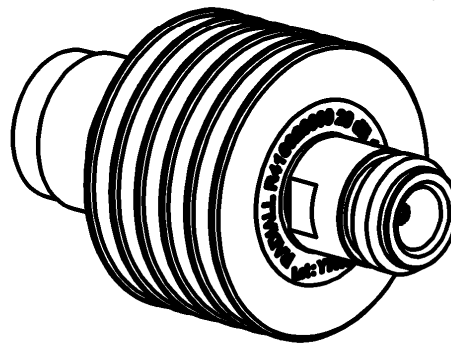


N ATTENUATOR
20 DB 18 GHZ 10W

R416.020.000
Series : ATTENUATOR



SCALE 1:1



All dimensions are in mm.

| COMPONENTS | MATERIALS | PLATING(μm) |
|-----------------------|-------------------|--------------------------|
| BODY | STAINLESS STEEL | PASSIVATION |
| MALE CENTER CONTACT | BERYLLIUM COPPER | GOLD 0.5 OVER NICKEL 2 |
| FEMALE CENTER CONTACT | BERYLLIUM COPPER | GOLD 2.5 OVER NICKEL 2.5 |
| OUTER CONTACT | STAINLESS STEEL | PASSIVATION |
| INSULATOR | PTFE | |
| GASKET | SILICONE RUBBER | |
| SUBSTRATE | ALUMINIUM NITRIDE | |
| RESISTOR | THIN FILM | |
| OTHERS PARTS | ALUMINIUM | BLACK ANODIZATION |

Issue : 0839 A

In the effort to improve our products, we reserve the right to make changes judged to be necessary.



N ATTENUATOR
20 DB 18 GHZ 10W

R416.020.000
 Series : ATTENUATOR

ELECTRICAL CHARACTERISTICS

| | | | |
|-----------------|--------|-------|--------|
| Frequency (GHz) | DC - 4 | 4 - 8 | 8 - 18 |
| V.S.W.R (≤) | 1.20 | 1.30 | 1.40 |
| Deviation(±dB) | 0.50 | 0.50 | 0.50 |

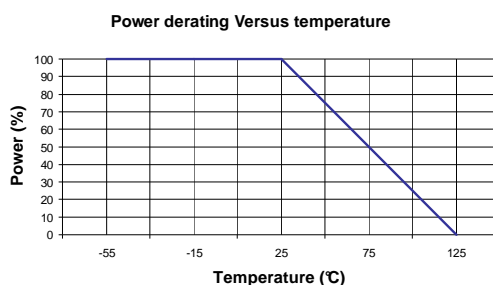
| | | |
|------------------------------|---------|-----------------------|
| Operating Frequency Range | DC - 18 | GHz |
| Impedance | 50 | Ω |
| Nominal Attenuation | 20 | dB |
| Peak power at 25°C (1μs, 1%) | 300 | W |
| Average power at 25°C | 10 | W (Free Air Cooled) |
| | | W (Conduction Cooled) |

MECHANICAL CHARACTERISTICS

| | | | |
|------------|------------|-------------|-------------|
| Connectors | N | Male Female | MIL-C 39012 |
| Weight | 105,3600 g | | |

ENVIRONMENTAL CHARACTERISTICS

| | |
|-----------------------------|--------------|
| Operating temperature range | -55 /+125 °C |
| Storage temperature range | -55 /+125 °C |



SPECIFICATION

OTHER CHARACTERISTICS

Issue : 0839 A

In the effort to improve our products, we reserve the right to make changes judged to be necessary.

