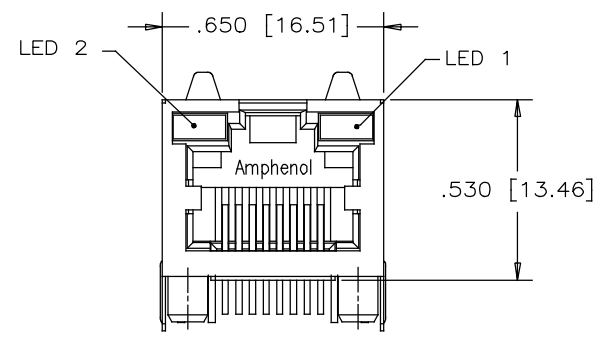
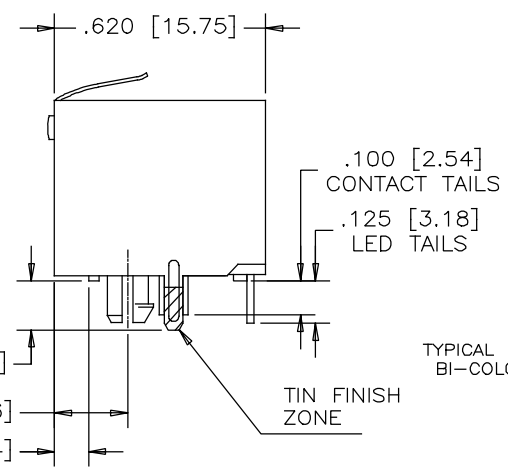


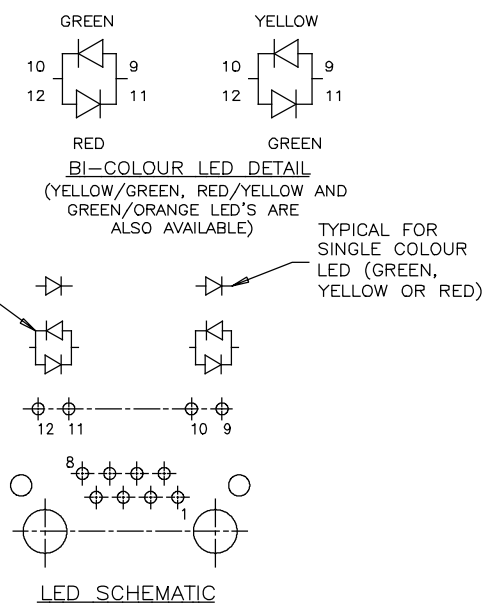
REVISIONS			
REV	DESCRIPTION, ECN, EAR NO.	DATE	APP'D
A	PROPOSAL	MAR15/17	L.CHAN
B	CHANGE SHIELD PCB TAIL PLATING	ARP19/17	L.CHAN
C	FIX DRAWING ERRORS	OCT09/17	L.CHAN



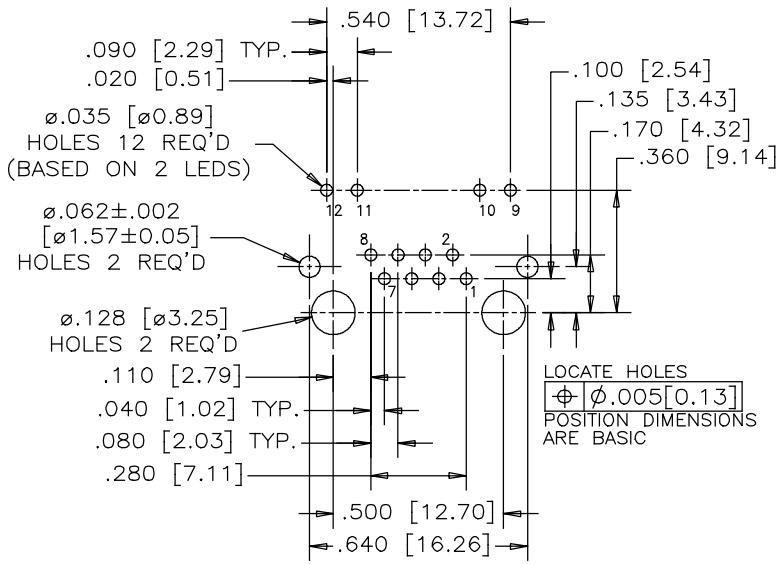
FRONT VIEW



SIDE VIEW



LED SCHEMATIC



RECOMMENDED P.C.B. LAYOUT
(COMPONENT SIDE OF BOARD)



MATERIALS:
 PLASTIC HOUSING: HIGH TEMPERATURE THERMOPLASTIC
 FLAMMABILITY RATING UL 94V-0

CONTACTS: PHOSPHOR BRONZE
 PLATING: GOLD PLATING ON MATING SURFACE.
 [SEE PART NUMBER FOR THICKNESS]
 50 μ" [1.27 MICRONS]
 MIN. NICKEL UNDERPLATE
 100 μ" [2.54 MICRONS]
 MIN. MATTE TIN ON CONTACT TAILS.

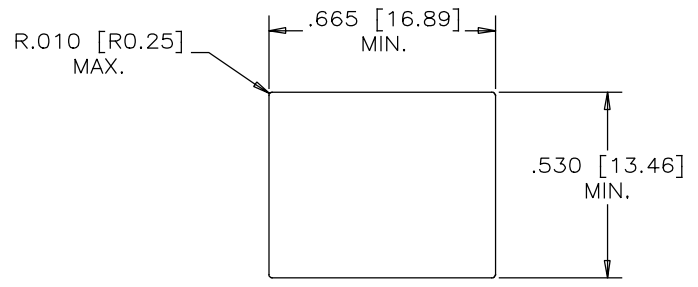
SHIELD: STAINLESS STEEL WITH TIN FINISH ON SOLDER TAIL

AMPHENOL PART NUMBER: RJHSE-X38X

GOLD PLATING

E=RJ45 FLAT CONTACT 6u"
 G=RJ45 FLAT CONTACT 15u"
 J=RJ45 FLAT CONTACT 30u"
 5=RJ45 FLAT CONTACT 50u"
 O=RJ45 FLAT CONTACT 1u"

REFER TO LED OPTIONS DRAWING FOR ORDERING CODES



RECOMMENDED PANEL CUTOUT

UNLESS SPECIFIED OTHERWISE	DRAWN <i>Hanson.C</i>	DATE <i>MAR15/17</i>
PRIMARY UNITS INCH	CHECKED <i>LAWRENCE C</i>	<i>MAR15/17</i>
SECONDARY MILLIMETER	M.E. APP'D	
REFERENCE IN PARENTHESES	Q.A. APP'D	
GENERAL TOLERANCES	DWG APPR.	
1 DECIMAL PLACE ±0.025	ENG. REL. NO.	
2 DECIMAL PLACES ±0.020	REF.	
3 DECIMAL PLACES ±0.015	THIRD ANGLE PROJECTION	
ANGULAR DEGREES ±1.0°	DO NOT SCALE DRAWING	

Amphenol Canada Corp. www.amphenolcanada.com	
TITLE SINGLE-PORT HIGH SPEED RJ45 MODULAR JACK, WITH LEDS, 8 POS. 8 CONTACTS, SHIELD-RoHS COMPLIANT	
DWG. NO.	REV
P-RJHSE-X38X	C
CODE ID NO. 03554 DWG SIZE: C SCALE: N/A SHEET 1 OF 1	