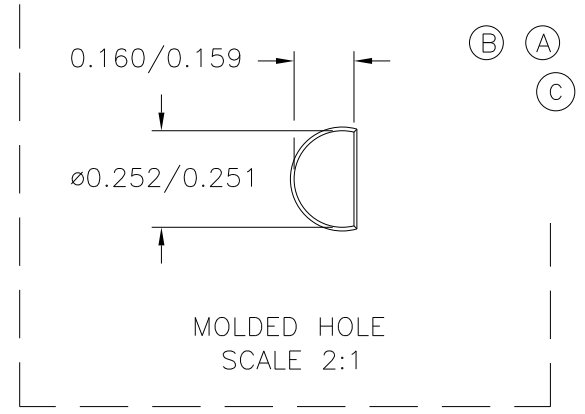
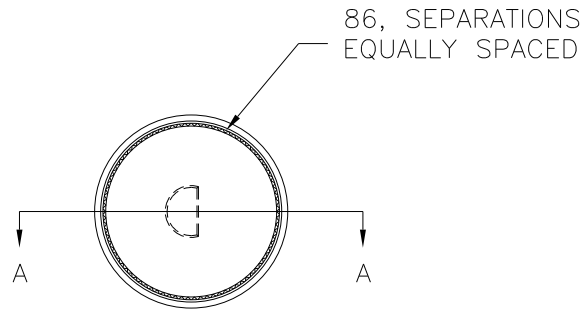


PART NAME: KNOB SCALE: 1:1 DATE: 8/1/50 DR. BY HAC

THIS DRAWING IS THE PROPERTY OF DAVIES MOLDING COMPANY, IS SUBMITTED SOLELY AS A DESIGN OR ENGINEERING PROJECT. WE ACCEPT NO RESPONSIBILITY WHATSOEVER FOR THE PRACTICAL APPLICATION OF THE PIECES MADE TO THIS DESIGN.

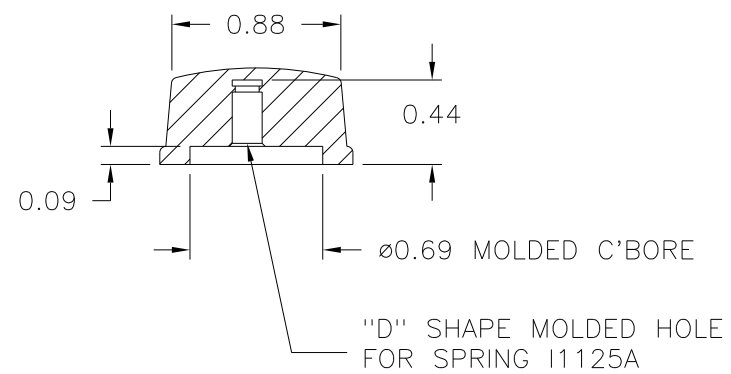
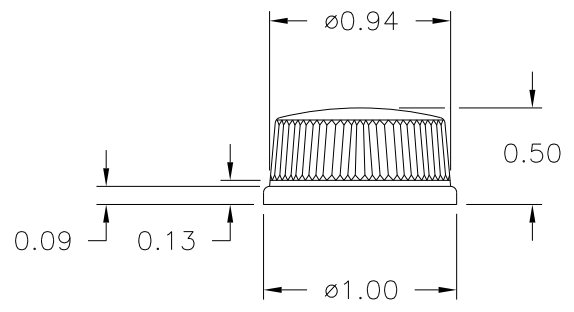
DAVIES MOLDING DESIGNERS & MANUFACTURERS OF KNOBS, HANDLES, CASES & CUSTOM PLASTIC COMPONENTS

P/N 1475-A
 BASE PART 1475-11
 SPRING I1125A



SECTION A-A

NOTE : AFTER MOLDING THIS PART(S) SPRING I-1125A MUST BE INSTALLED IN FINISHING DEPT. FOR COMPLETED PART AS # 1475-A



MATERIAL: G.P. PHENOLIC (B11)
 COLOR: BLACK

TOLERANCES: UNLESS OTHERWISE SPECIFIED	DO NOT SCALE DRAWING	C	ADDED BASE PART	EW	6/30/14
DECIMALS: X.XXX ± .005 X.XX ± .015	MM: X.XX ± 0.15MM X.X ± 0.4MM	B	REDRAWN/WAS I0376	HD	10/28/93
FRACTIONS ± 1/64	ANG. ± 1°	A	WAS I0328	LSP	3/25/57
CHANGES					