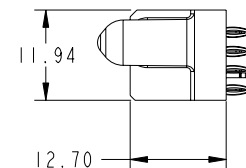
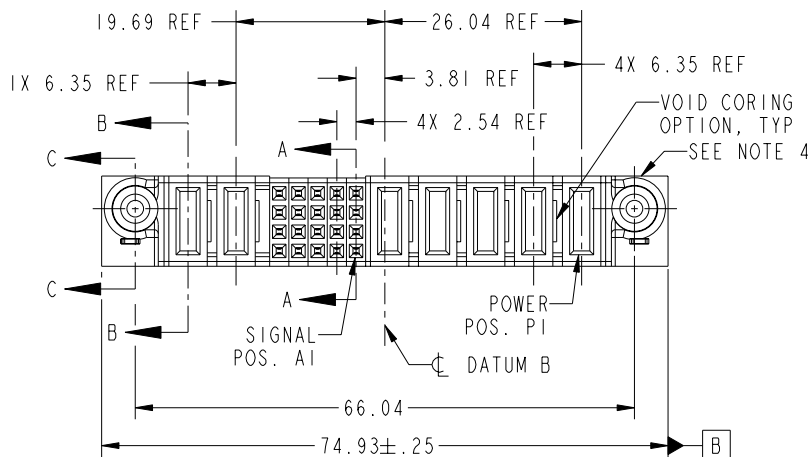


Tous droits strictement réservés. Reproduction ou communication o des tiers interdite sous quelque forme que ce soit sans autorisation écrite du propriétaire. Propriete de c FCI. Droits de reproduction FCI.



All rights strictly reserved. Reproduction or issue to third parties in any form whatever is not permitted without written authority from the proprietor. Property of FCI. Copyright FCI.

PRODUCT NO.	ROWS	POWER		SIGNAL				POWER							
		E2	P8	P6	5	4	3	2	1	P5	P4	P3	P2	P1	E1
51940-206-- NOTE: 3	D C B A		PF	PF	F	F	F	F	F	PF	PF	PF	PF	PF	



CODE	DIM "M" MATING LENGTH	CONTACT TYPE
PF	[2.34]	POWER
F	[N/A]	SIGNAL
HA	[N/A]	HOLD-DOWN

mat'l code				SEE NOTES		tolerances unless otherwise specified		CUSTOMER		FCI www.fciconnect.com	
ltr	ecr no.	dr	date	linear	0.X ± 0.3		COPY		title 5P + 20S + 2P VERTICAL PF RECEPT		
A	DG06-0483	JULIA	11/15/06		0.XX ± 0.13		projection				
					angles	0.XXX ± 0.051		MM			
				dr	JULIA WANG	11/15/06	scale		product family		code
				enr	RYAN YUAN	11/15/06	1:1		PwrBlade		213
				chr	BEER FU	11/15/06			size		sheet
				appd	JOSEPH HSIA	11/15/06			A		1 of 4
sheet index	revision	A	A	A	A						
	sheet	1	2	3	4						

Pro/E

cage code 22526

PDM: Rev:A

STATUS: Released

Printed: Dec 20, 2010

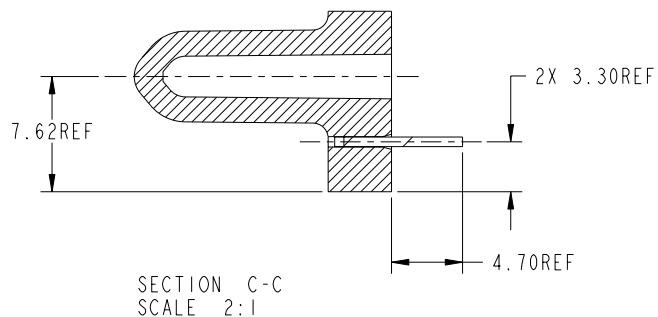
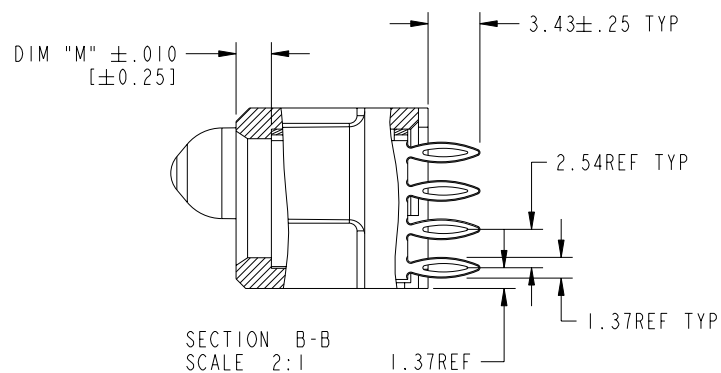
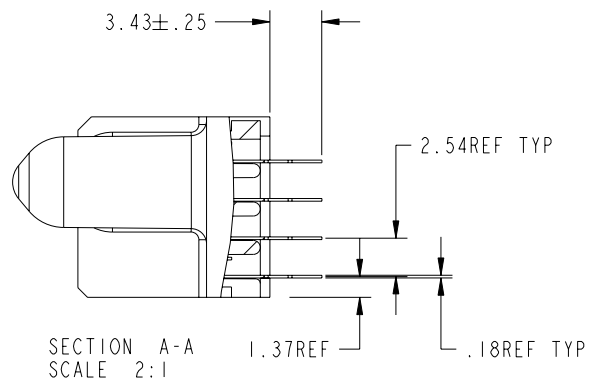
Tous droits strictement reserves. Reproduction ou communication a des tiers interdite sous quelque forme que ce soit sans autorisation ecrite du proprietaire. Propriete de c FCI. Droits de reproduction FCI.

All rights strictly reserved. Reproduction or issue to third parties in any form whatever is not permitted without written authority from the proprietor. Property of FCI. Copyright FCI.



PRODUCT NUMBER

51940-206__
NOTE: 3



mat'l code				tolerances unless otherwise specified		CUSTOMER	FCI www.fciconnect.com	
ltr	ecm no.	dr	date	linear	0.X ± 0.3	COPY	title	
A					0.XX ± 0.13	projection	5P + 20S + 2P VERTICAL PF RECEPT	
				angles	0.XXX ± 0.051		product family	
				dr	0° ± 2°		PwrBlade	
				enr	JULIA WANG 11/15/06	scale	size	code
				chr	RYAN YUAN 11/15/06	1:1	dwg no	213
				appd	BEER FU 11/15/06		A	51940-206
					JOSEPH HSIA 11/15/06			sheet
sheet index	revision sheet							2 of 4

Pro/E

cage code 22526

PDM: Rev:A

STATUS: Released

Printed: Dec 20, 2010

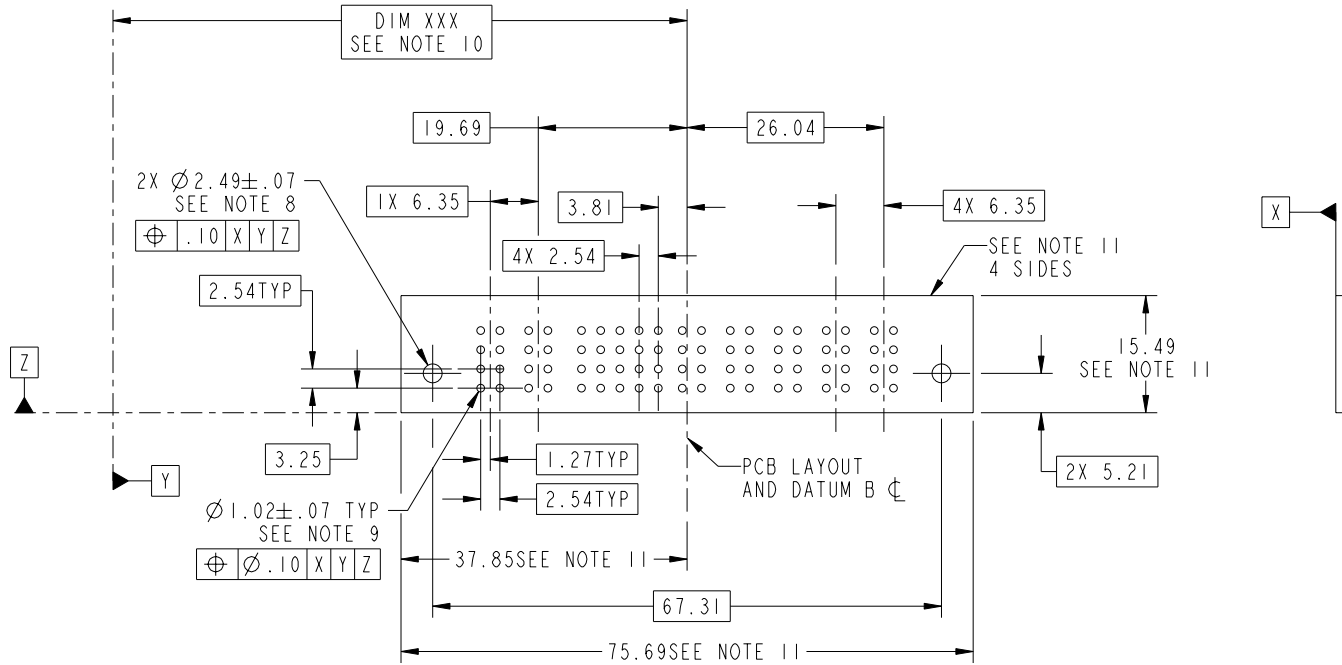
Tous droits strictement reserves. Reproduction ou communication a des tiers interdite sous quelque forme que ce soit sans autorisation ecrite du proprietaire. Propriete de c FCI. Droits de reproduction FCI.



All rights strictly reserved. Reproduction or issue to third parties in any form whatever is not permitted without written authority from the proprietor. Property of FCI. Copyright FCI.

PRODUCT NUMBER

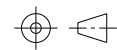
51940-206__
NOTE: 3



mat'l code				tolerances unless otherwise specified		CUSTOMER		FCI www.fciconnect.com	
ltr	ecr no.	dr	date	linear	0.X ± 0.3	COPY		title	
A					0.XX ± 0.13	projection		5P + 20S + 2P VERTICAL PF RECEPT	
				angles	0.XXX ± 0.051	MM		product family	
				dr	JULIA WANG 11/15/06	scale		PwrBlade	
				enr	RYAN YUAN 11/15/06	1:1		code	
				chr	BEER FU 11/15/06			size	
				appd	JOSEPH HSIA 11/15/06			dwg no	
sheet index		revision sheet						A 51940-206	
								213 sheet 3 of 4	



www.fciconnect.com



MM

scale 1:1

product family PwrBlade

size dwg no

A 51940-206

code

213

sheet 3 of 4

cage code 22526

Pro/E

PDM: Rev:A

STATUS: Released

Printed: Dec 20, 2010

Tous droits strictement réservés. Reproduction ou communication o des tiers interdite sous quelque forme que ce soit sans autorisation écrite du propriétaire. Propriete de c FCI. Droits de reproduction FCI.



All rights strictly reserved. Reproduction or issue to third parties in any form whatever is not permitted without written authority from the proprietor. Property of FCI. Copyright FCI.

PRODUCT NUMBER

51940-206__
NOTE: 3

NOTES:

1. DIMENSIONS AND TOLERANCES ARE IN ACCORDANCE WITH ASME Y14.5M, 1994 UNLESS OTHERWISE SPECIFIED.

CONNECTOR NOTES:

- 2 HOUSING MATERIAL: UL 94 V-0 GLASS FILLED
HIGH-TEMP THERMOPLASTIC
POWER CONTACT MATERIAL: COPPER ALLOY
SIGNAL PIN MATERIAL: COPPER ALLOY
- 3. PLATING SPEC.
51940-206,51940-206LF PLATING SPEC. WAS SHOWN IN THE PRINT OF 10064183.
- 4 MANUFACTURER'S NAME, P/N, AND DATE CODE TO APPEAR ON THIS SURFACE.
- 5. PRODUCT SPECIFICATION GS-12-149.
APPLICATION SPECIFICATION BUS-20-067.
- 6. PACKAGED IN TRAYS.

PCB NOTES:

- 7. ALL HOLE DIAMETERS ARE FINISHED HOLE SIZE.
- 8 MOUNTING HOLES, WHERE APPLICABLE, ARE UNPLATED.
- 9 $\varnothing 1.151 \pm 0.025$ DRILLED HOLES PLATED WITH
0.008 MIN SnPb OR Sn OVER 0.03
TO 0.08 Cu PLATING TO ACHIEVE
 $\varnothing 1.02 \pm .07$ HOLE.
- 10 "DIM XXX" TO BE DETERMINED BY THE CUSTOMER.
- 11 CONNECTOR KEEP-OUT ZONE.

mat'l code				tolerances unless otherwise specified		CUSTOMER		www.fciconnect.com	
ltr	ecn no.	dr	date	linear	0.X ± 0.3	COPY		title	
A					0.XX ± 0.13	projection		5P + 20S + 2P	
				angles	0.XXX ± 0.051			VERTICAL PF RECEPT	
					0° ± 2°			product family PwrBlade code	
		dr	JULIA WANG	11/15/06		size		213	
		enr	RYAN YUAN	11/15/06		dwg no		sheet	
		chr	BEER FU	11/15/06		A 51940-206		4 of 4	
		appd	JOSEPH HSIA	11/15/06		scale			
						1:1			
sheet index	revision sheet								



www.fciconnect.com

MM

scale 1:1

product family

PwrBlade

code

size

dwg no

A 51940-206

213

sheet

4 of 4

1 | 2

3 |

4

A

A

B

B

1 | 2

Pro/E

3 |

cage code

22526

4