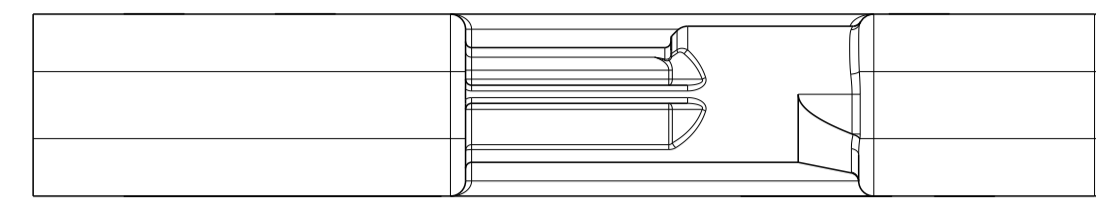
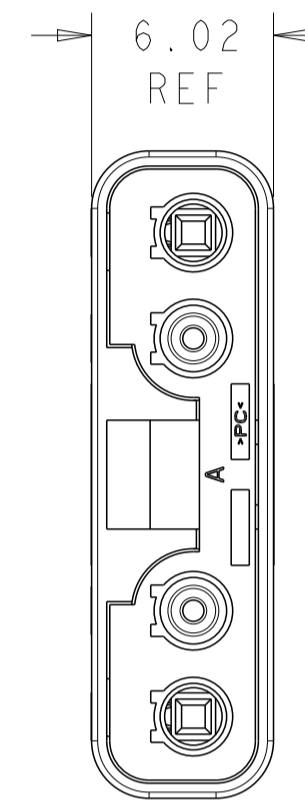
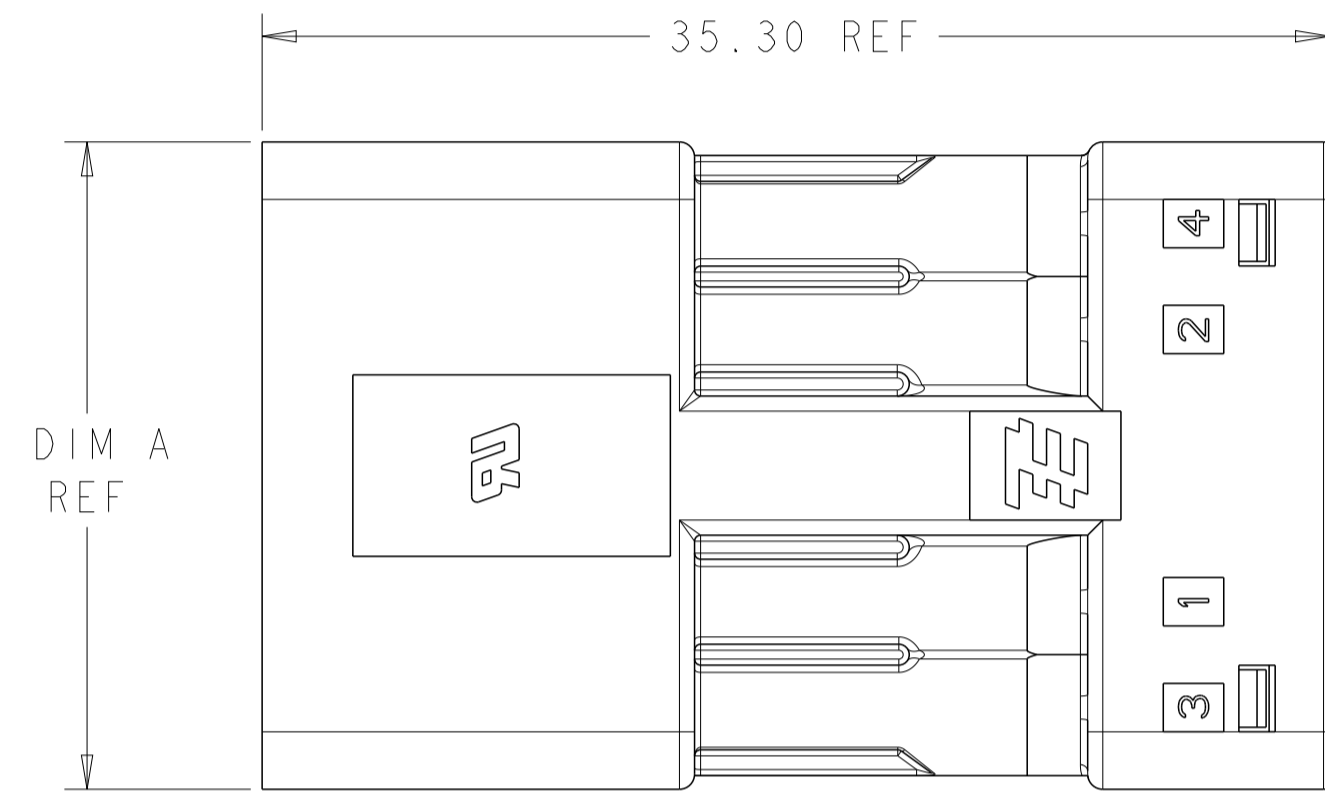
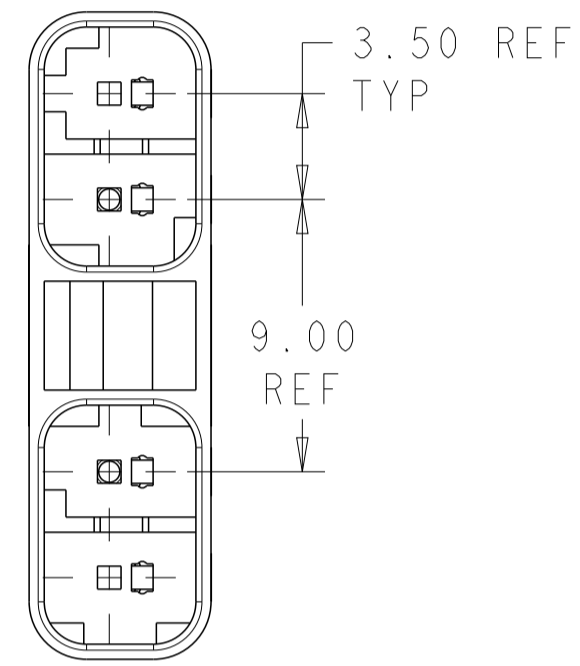


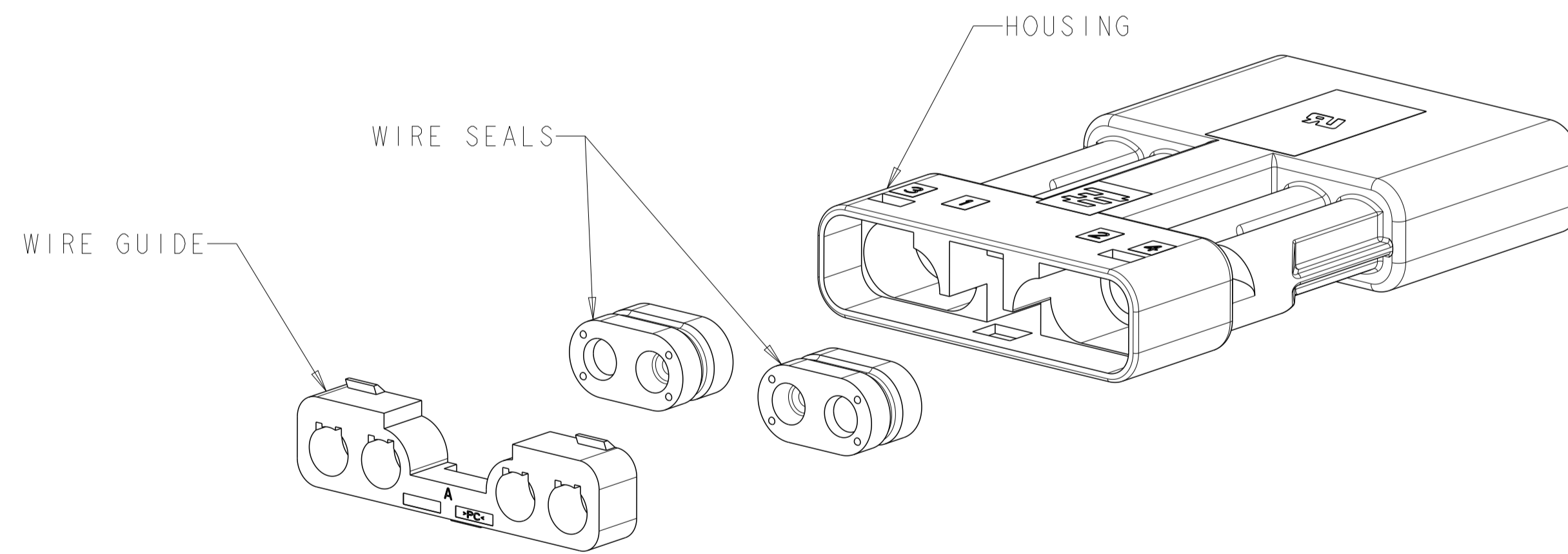
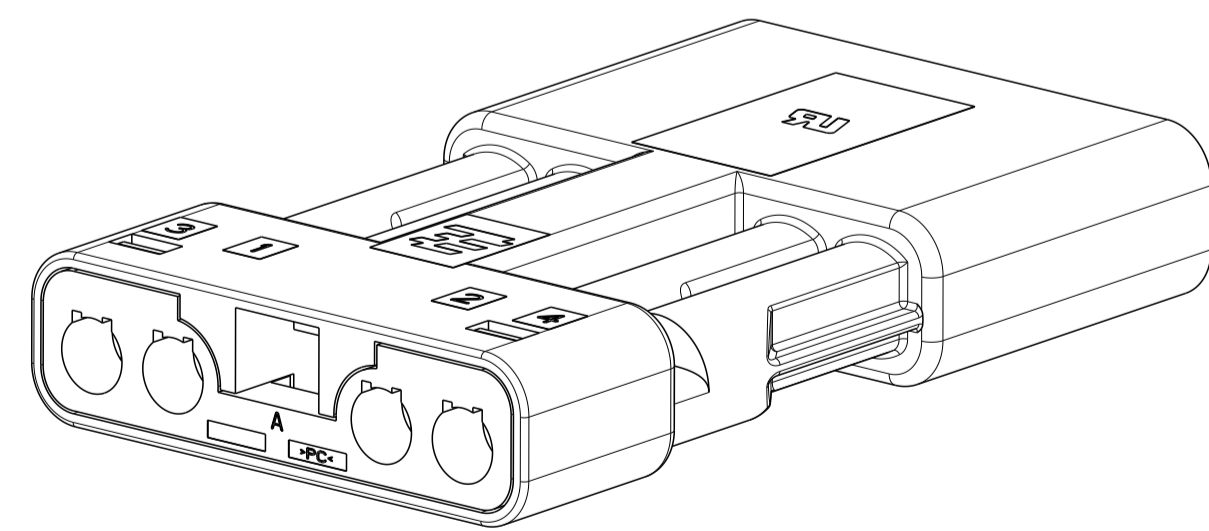
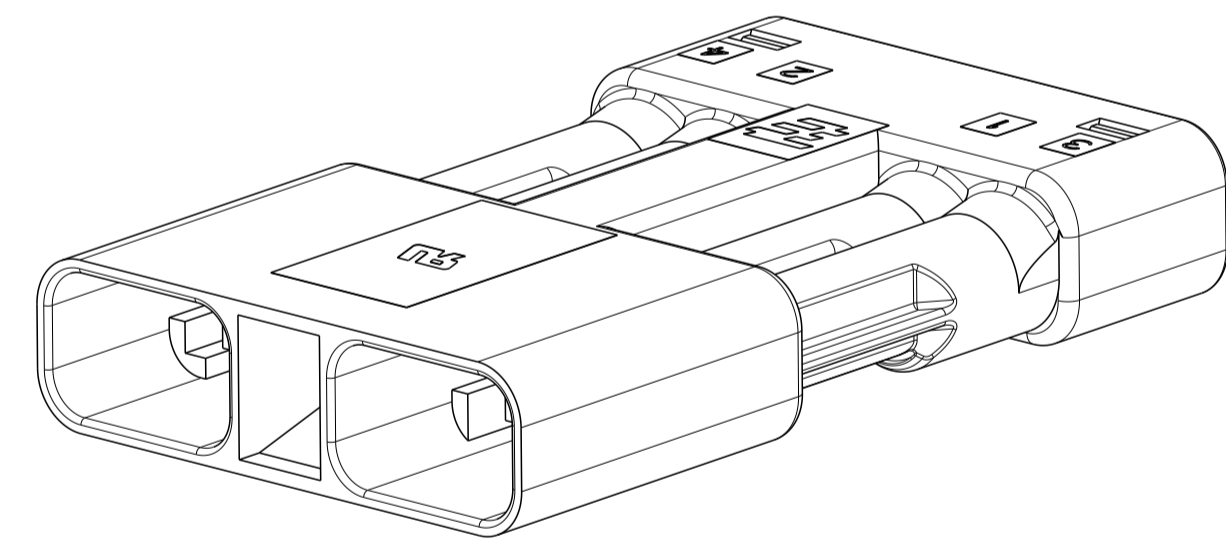
LOC		DIST		REVISIONS			
P	LTN	DESCRIPTION	DATE	DMN	APVD		
A1		REVISED PER ECO-11-004820	11MAR2011	RK	HMR		
A2		REVISED PER ECR-12-017779	19OCT2012	RS	DD		



- ⚠ MATERIALS:  
 HOUSING: POLYCARBONATE, FI PER UL 746C,  
 COLOR: BLACK  
 WIRE GUIDE: POLYCARBONATE, FI PER UL 746C,  
 COLOR: BLACK  
 WIRE SEALS: SILICONE RUBBER, COLOR: BLUE
- THIS PART HAS NOT COMPLETED VALIDATION TESTING.
  - MUST COMPLY WITH DIRECTIVE 2002/95/EC (ROHS).



2106136-4 SHOWN



21.40	4	2106136-4
17.90	3	2106136-3
14.40	2	2106136-2
DIM A	NO OF POSN	PART NUMBER

DIMENSIONS:		TOLERANCES UNLESS OTHERWISE SPECIFIED:		APVD		NAME	
mm	0 PLC	±		DMN	R BROWN	16FEB2009	TE Connectivity ASSEMBLY, RECEPTACLE, FREE HANGING, SLIMSEAL SSL CONNECTOR
	1 PLC	±0.2		CHK	A BUCHER	16FEB2009	
	2 PLC	±0.15		APVD			PRODUCT SPEC
	3 PLC	±					108-2391
	4 PLC	±					APPLICATION SPEC
	ANGLES	±	±3				114-13261
MATERIAL	FINISH			WEIGHT			SIZE
							CAGE CODE
							DRAWING NO
							RESTRICTED TO
							A100779
							©=2106136
							SCALE
							4:1
							SHEET
							1
							OF
							1
							REV
							A2