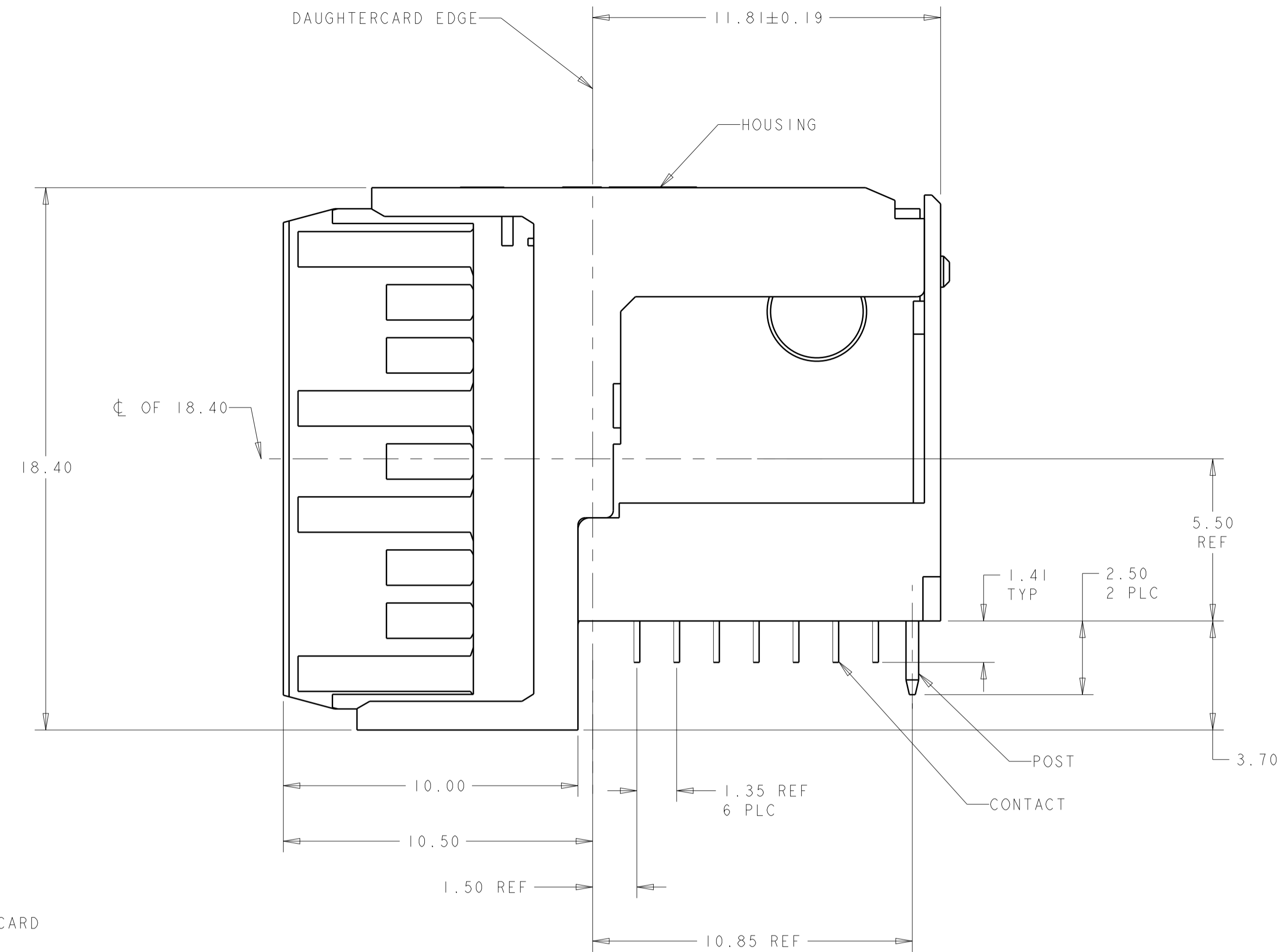
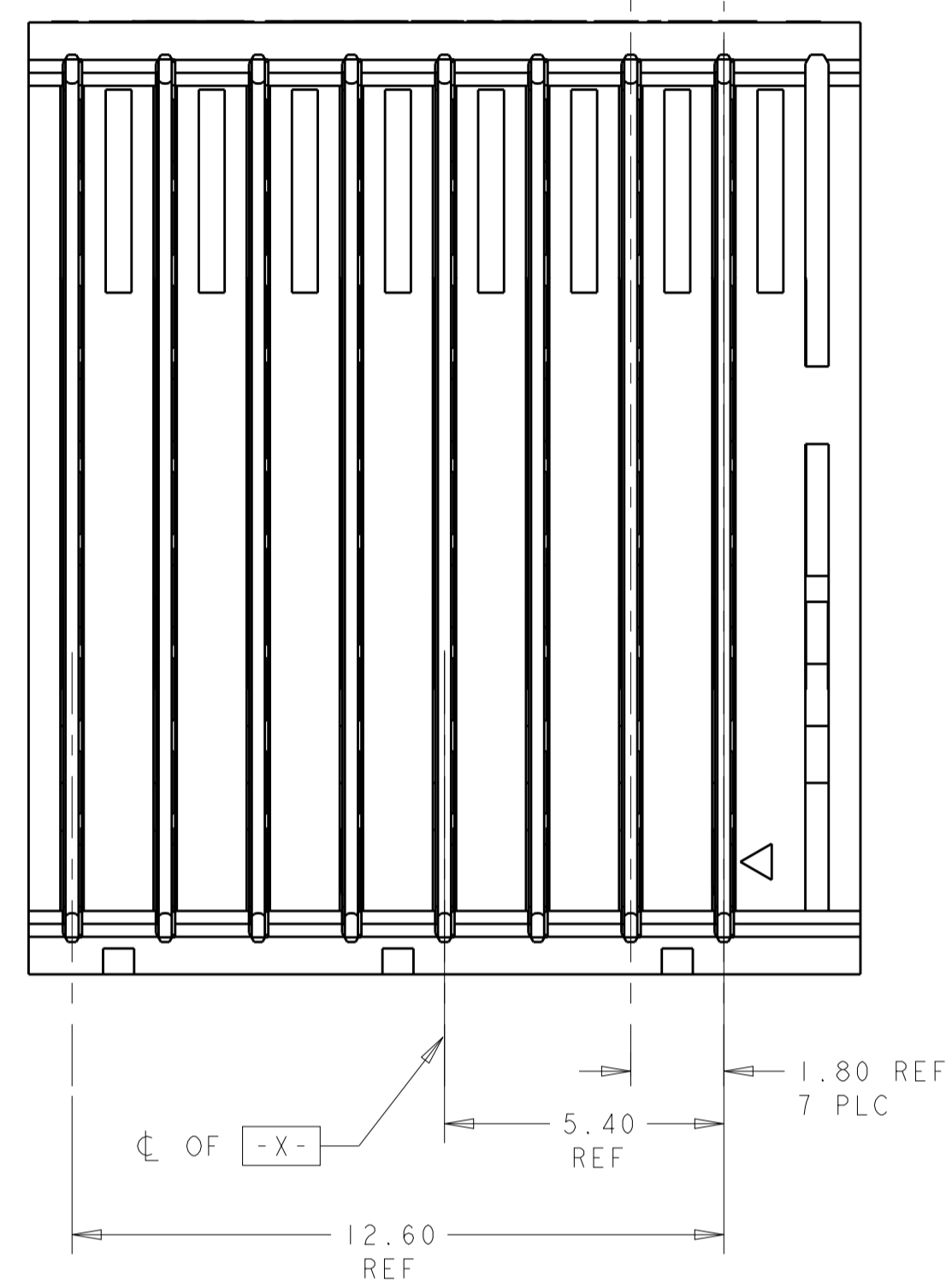


LOC	DIST	REVISIONS			
		REV	DATE	BY	APPV
GP	00	B1	20JUL2012	KH	AS

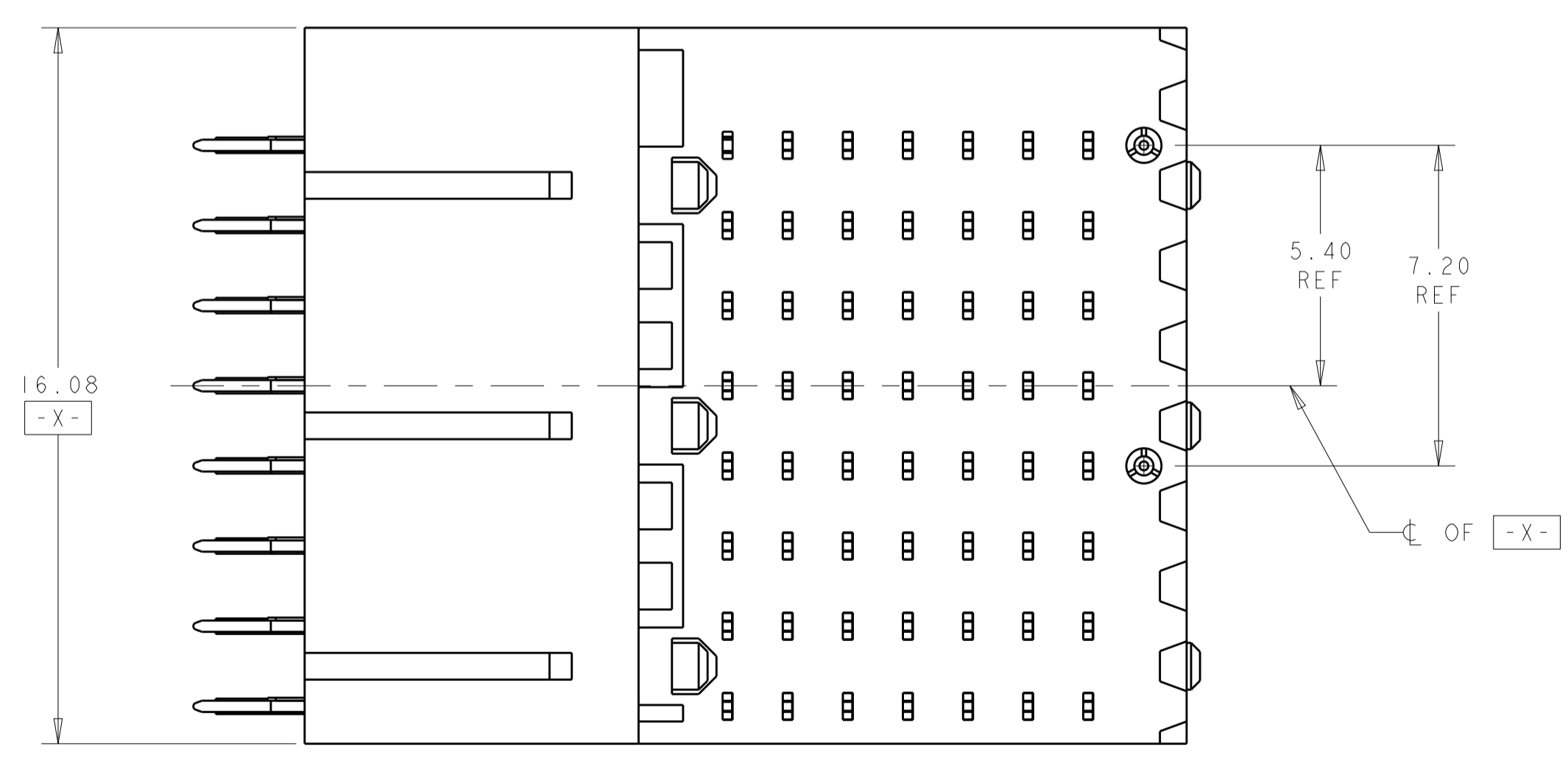
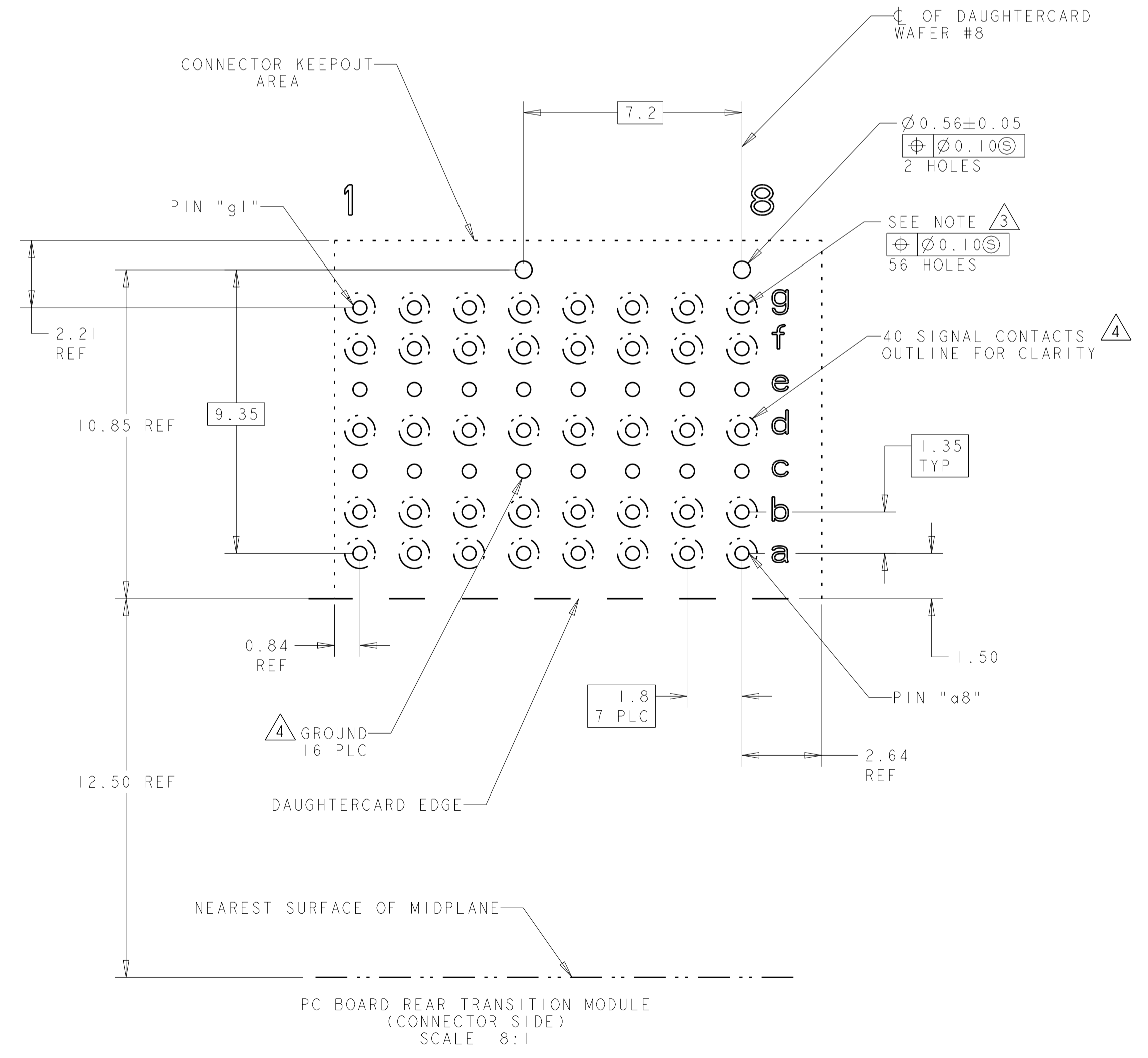


- 1 HOUSING: LCP, UL94V0, COLOR: BLACK.
CONTACT: PHOSPHOR BRONZE.
POST: BRASS WIRE
- 2 CONTACT: 1.27µm MIN GOLD IN PAD CONTACT AREA, 1.27µm MIN TIN-LEAD ON PCB TAIL OVER 1.27µm MIN. NICKEL OVER ALL.
POST: 1.27µm MIN NICKEL PLATED.
- 3 PLATE THROUGH HOLE PER 114-13056, FIGURE 4.
- 4 SEE TABLE 1 FOR INTERCONNECTIONS TO BACKPLANE CONNECTOR.
- 5 CONTACT: 1.27µm MIN GOLD IN PAD CONTACT AREA, 1.27µm MIN TIN ON PCB TAIL OVER 1.27µm MIN NICKEL OVER ALL.
POST: 1.27µm MIN NICKEL PLATED.

TABLE 1
INTERCONNECTIONS WITH BACKPLANE CONNECTOR 1410186-1

TYPICAL INTERCONNECTIONS FOR EACH COLUMN (WAFER): 1, 2, 3, 4, 5, 6, 7, 8		
CONTACT USAGE	DAUGHTERCARD CONNECTOR PIN	BACKPLANE CONNECTOR PIN
SIGNAL	ax	bx
SIGNAL	bx	cx
SIGNAL	dx	ex
SIGNAL	fx	gx
SIGNAL	gx	hx
GROUND	cx, ex, (ALL COMMONED)	ax, dx, fx, ix

NOTE: "x" DESIGNATES THE COLUMN NUMBER



1410972-4	1410972-3
PLATING	PART NO

THIS DRAWING IS A CONTROLLED DOCUMENT.		OWN: R. IREA 21FEB2006	TE Connectivity	
DIMENSIONS: mm		CHK: G. GRIFFITH 21FEB2006	NAME: RIGHT-ANGLE PLUG ASSEMBLY, 7 ROW, SE. HALF LEFT END, 20.3mm, MultiGig RT2, DAUGHTERCARD CONNECTOR, VITA 46	
TOLERANCES UNLESS OTHERWISE SPECIFIED:		APVD: 21FEB2006	PRODUCT SPEC: 108-2072	
0 PLC ±0.5		APPLICATION SPEC: 114-13056		
1 PLC ±0.13		SIZE: 114-13056		
2 PLC ±0.13		WEIGHT: -		
3 PLC ±0.13		CUSTOMER DRAWING		
4 PLC ±0.13		SCALE: 8:1 SHEET 1 OF 1 REV: B1		
ANGLES ±1°		A100779C=1410972		