

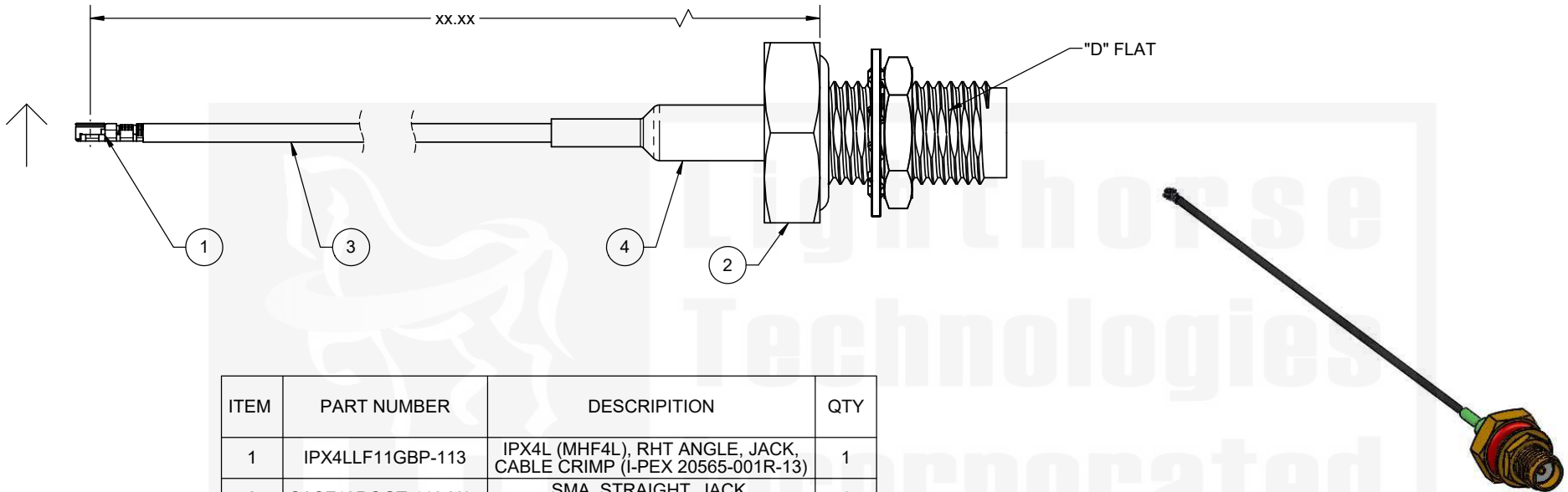
-XX IN THE ENDING OF THE CABLE PART NUMBER IS CALLING OUT THE LENGTH OF THE ASSEMBLY FROM CENTER TO MATING FLANGE OF CONNECTORS. EXAMPLES SHOWN BELOW:

EXAMPLE:

LTI P/N: CB1.13-IPX4L-SAF30GTX15-10IN (10 INCHES)

CB1.13-IPX4L-SAF30GTX15-4IN (4 INCHES)

REVISIONS				
REV	ECR	DESCRIPTION	DRAWN	DATE
1		PRODUCTION RELEASE	M. LARSEN	01/18/2022



ITEM	PART NUMBER	DESCRIPTION	QTY
1	IPX4LLF11GBP-113	IPX4L (MHF4L), RHT ANGLE, JACK, CABLE CRIMP (I-PEX 20565-001R-13)	1
2	SASF13ROGT-113-X15	SMA, STRAIGHT, JACK, BLKHD MNT, O-RING, IP-67, CRIMP	1
3	1.13 MICRO COAX	CABLE, 1.13 MICRO COAX, BLACK	AR
4	1635F-1/8"	.125 (1/8) DIA, .75 LENGTH, GREEN	1

SCALE: NONE

IPX® AND MHF® ARE REGISTERED TRADEMARKS OF I-PEX CO., LTD. CORPORATION

DO NOT SCALE DRAWING TOLERANCES UNLESS OTHERWISE SPECIFIED DIMENSIONS ARE IN MILLIMETERS X = ±0.5 X.X = ±0.25 X.XX = ±0.13 ANGLE = ±30°		<p>Lighthouse Technologies San Diego, CA WWW.IFCONNECTOR.COM</p>	TITLE: CABLE ASSEMBLY, IPX4L (MHF4L), R/A JACK, CRIMP TO SMA, JACK, BLKHD, O-RING, IP-67, CRIMP																			
<table border="1"> <tr> <th colspan="3">CUSTOMER APPROVAL</th> </tr> <tr> <td>SIGN / DATE:</td> <td></td> <td></td> </tr> <tr> <td>ENG APPR.</td> <td>P. BURDGE</td> <td>01/25/2022</td> </tr> <tr> <td>CHECKED</td> <td>M. HELD</td> <td>01/25/2022</td> </tr> <tr> <td>DRAWN</td> <td>M. LARSEN</td> <td>01/18/2022</td> </tr> <tr> <td>NAME</td> <td></td> <td>DATE</td> </tr> </table>			CUSTOMER APPROVAL			SIGN / DATE:			ENG APPR.	P. BURDGE	01/25/2022	CHECKED	M. HELD	01/25/2022	DRAWN	M. LARSEN	01/18/2022	NAME		DATE	SIZE: B	PART/DWG. NO: CB1.13-IPX4L-SAF30GTX15-xxIN
CUSTOMER APPROVAL																						
SIGN / DATE:																						
ENG APPR.	P. BURDGE	01/25/2022																				
CHECKED	M. HELD	01/25/2022																				
DRAWN	M. LARSEN	01/18/2022																				
NAME		DATE																				
SCALE: 4:1		FILE NAME	SHEET 1 OF 1																			

PROPRIETARY AND CONFIDENTIAL

UNLESS OTHERWISE SPECIFIED, THIS DOCUMENT CONTAINS LIGHORSE TECHNOLOGIES INFORMATION. REPRODUCTION, USE, DISCLOSURE OR TRANSMITTAL OF ALL OR ANY PART OF THIS DOCUMENT IS PROHIBITED EXCEPT TO THE EXTENT APPROVED IN WRITING BY AN AUTHORIZED REPRESENTATIVE OF LIGHORSE TECHNOLOGIES. LIGHORSE TECHNOLOGIES RESERVES ALL RIGHTS UNDER PATENTS, TRADEMARKS, COPYRIGHTS AND TRADE SECRETS. COPY RIGHTS OF LIGHORSE TECHNOLOGIES 2011, ALL RIGHTS RESERVED.

