

PART NUMBER: FLH - PX3 - XX - X

SERIES
FLH

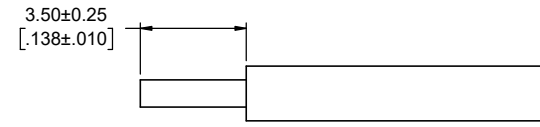
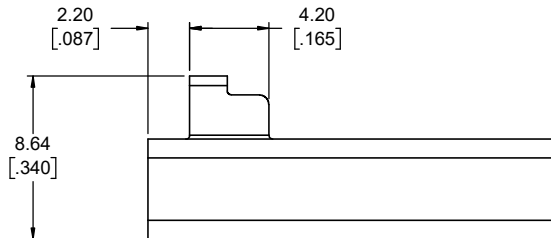
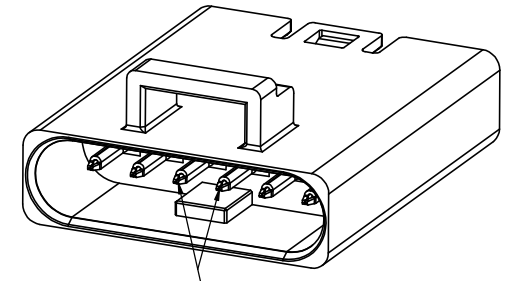
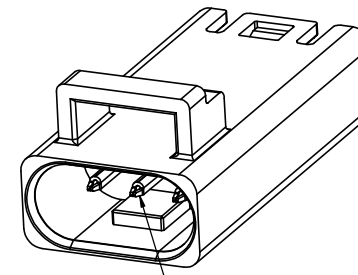
PIN HOUSING TYPE

P1 = 1 CONTACT
P2 = 2 CONTACTS
P3 = 3 CONTACTS
P4 = 4 CONTACTS
P5 = 5 CONTACTS
P6 = 6 CONTACTS

IDENTIFIER
XX = 00 FOR STANDARD
= 01-99 FOR OTHER OPTIONS

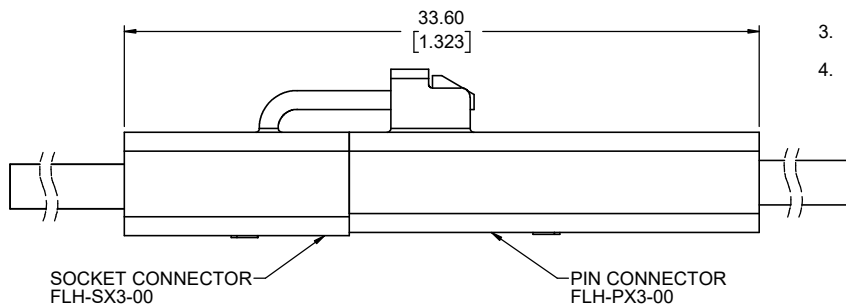
OTHER FEATURES
LEAVE BLANK FOR STANDARD
0 TO 9 FOR OTHER OPTIONS

PIN HOUSING	W (mm)
P1	10.30
P2	
P3	
P4	17.80
P5	
P6	



NOTES:

- MATERIALS:** ALL MATERIALS ARE RoHS COMPLIANT PER EU DIRECTIVE 2011/65/EU & AMENDMENTS
 - HOUSING: ENGINEERING THERMOPLASTIC, UL FLAMMABILITY RATING 94V-0, COLOR BLACK
 - SEALS: SILICONE RUBBER, UL FLAMMABILITY RATING 94V-0, COLOR BLACK
 - CONTACTS: COPPER ALLOY PLATED WITH TIN OVER NICKEL
- ELECTRICAL CHARACTERISTICS**
 - CURRENT RATING: 7A (18 AWG OR 1mm²) OR 5A (20 AWG OR 0.5 mm²) OR 3A (22 AWG OR 0.34 mm²) PER CONTACT
 - DIELECTRIC WITHSTANDING VOLTAGE: 1500 VAC
 - INSULATION RESISTANCE: 500 MEGAOHMS
 - OPERATING TEMPERATURE: -40°C TO +105°C
- WIRE STRIP LENGTH 3.5±0.25 MM. SOLID OR TIN DIPPED WIRE REQUIRED, INSULATION DIAMETER 1.8 MM MAX.
- ENVIRONMENTAL PROTECTION: IP67 PER IEC 60529 IN MATED CONDITION.



UNLESS SPECIFIED OTHERWISE	DRAWN	S. MUGAN	APR12/21
PRIMARY UNITS MILLIMETERS	CHECKED	M. PAHULJE	APR12/21
SECONDARY UNITS INCHES	M.E. APP'D		
REFERENCE IN PARENTHESES	Q.A. APP'D		
GENERAL TOLERANCES	DWG APPR.		
1 DECIMAL PLACE	ENG. REL. NO. EAR 14964		
2 DECIMAL PLACES ±0.10	REF.		
3 DECIMAL PLACES	THIRD ANGLE PROJECTION		
ANGULAR DEGREES	DO NOT SCALE DRAWING		

Amphenol Canada Corp.
Commercial Products

FLH SERIES, MINI SEALED 2.5mm PITCH POKE-IN RECEPTACLE ASSEMBLY, 1 TO 6 CONTACT OPTIONS, RoHS COMPLIANT

DWG. NO. P-FLH-PX3-XX-X REV D

CODE ID NO. 03554 DWG SIZE: X SCALE: 5:1 SHEET 1 OF 1