

Technical Information

RIA45

Process indicator



Panel meter with control unit for monitoring and visualizing measured values

Application

- Plant and apparatus engineering and construction
- Control rooms and cabinets
- Laboratories
- Process recording and supervision
- Process control
- Signal adjustment and signal conversion
- WHG compliant limit signal transmitter

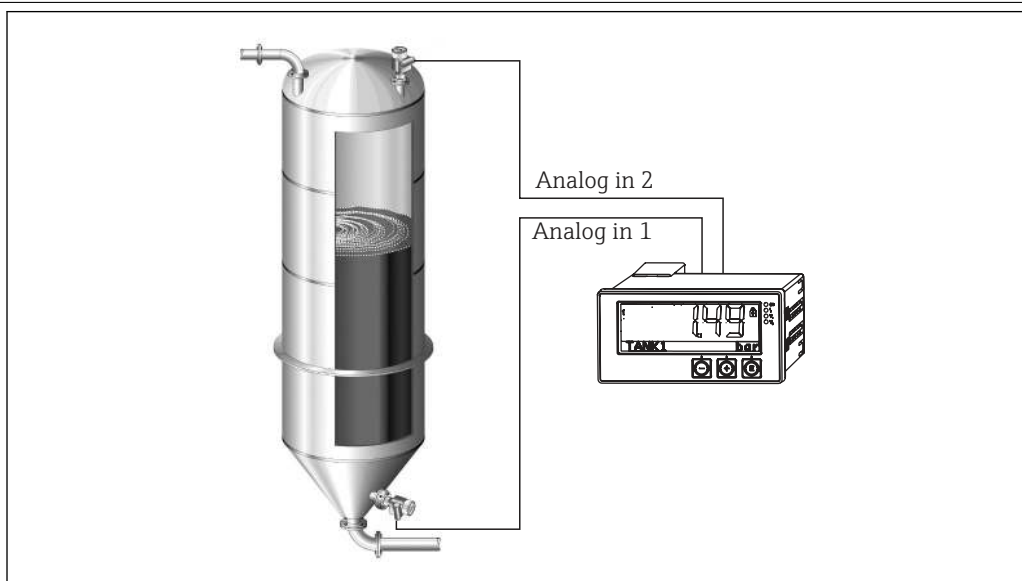
- Min./max. value saved
- 1 or 2 calculated values
- One linearization table with 32 points for each calculated value
- 1 or 2 analog outputs
- Digital status output (open collector)
- Operation using 3 keys
- SIL2 approval (optional)

Your benefits

- 5-digit, 7-segment backlit LC display
- User-configurable dot matrix display range for bar graph, units and tag name
- 1 or 2 universal inputs
- 2 relays (optional)

Function and system design

Application



1 Example for "differential pressure" application

The RIA45 panel meter powers the transmitter and processes analog signals from transmitters, particularly from the area of process instrumentation. These signals are monitored, evaluated, calculated, saved, separated, linked, converted and displayed. The signals, intermediate values and the results of calculations and analysis are transmitted by digital or analog means.

Measuring system

The RIA45 is a process transmitter, which is controlled by a microcontroller, and exhibits a display, analog inputs for process and status signals, analog and digital outputs, as well as an interface for configuration.

Connected sensors (e.g. temperature, pressure) can be powered by the integrated transmitter power supply system. The signals to be measured are converted from analog to digital signals, processed digitally in the device, and then converted from digital to analog signals and made available to the various outputs. All measured values, and values calculated in any way, are available as a signal source for the display, all outputs, relays and the interface. It is possible to make multiple use of the signals and results (e.g. a signal source as an analog output signal and limit value for a relay).

Mathematics functions

The following mathematics functions are available in RIA45:

- Sum
- Difference
- Multiplication
- Mean
- Linearization

Linearization function

Up to 32 user-definable points are available in the device per calculated value to linearize the input, e.g. for tank linearization. In the case of the two-channel device (option), mathematics channel M2 can be used to linearize mathematics channel M1.

Linearization is also available in the FieldCare configuration software.

Input

Measured variable	Current, voltage, resistance, resistance thermometer, thermocouples
Measuring ranges	<p>Current:</p> <ul style="list-style-type: none"> ■ 0/4 to 20 mA +10% overrange ■ Short-circuit current: max. 150 mA ■ Load: 10 Ω <p>Voltage:</p> <ul style="list-style-type: none"> ■ 0 to 10 V, 2 to 10 V, 0 to 5 V, 0 to 1 V, 1 to 5 V, ± 1 V, ± 10 V, ± 30 V, ± 100 mV ■ Max. permitted input voltage: <ul style="list-style-type: none"> Voltage ≥ 1 V: ± 35 V Voltage < 1 V: ± 12 V ■ Input impedance: $> 1\,000$ kΩ <p>Resistance:</p> <p>30 to 3 000 Ω</p> <p>Resistance thermometer:</p> <ul style="list-style-type: none"> ■ Pt100 as per IEC60751, GOST, JIS1604 ■ Pt500 and Pt1000 as per IEC60751 ■ Cu100, Cu50, Pt50, Pt46, Cu53 as per GOST ■ Ni100, Ni1000 as per DIN 43760 <p>Thermocouple types:</p> <ul style="list-style-type: none"> ■ Typ J, K, T, N, B, S, R as per IEC60584 ■ Typ U as per DIN 43710 ■ Typ L as per DIN 43710, GOST ■ Typ C, D as per ASTM E998
Number of inputs	One or two universal inputs
Update time	200 ms
Galvanic isolation	Towards all other circuits

Output

Output signal	<p>One or two analog outputs, galvanically isolated</p> <p>Current/voltage output</p> <p>Current output:</p> <ul style="list-style-type: none"> ■ 0/4 to 20 mA ■ Overrange up to 22 mA <p>Voltage:</p> <ul style="list-style-type: none"> ■ 0 to 10 V, 2 to 10 V, 0 to 5 V, 1 to 5 V ■ Overrange: up to 11 V, short-circuit proof, $I_{\max} < 25$ mA <p>HART®</p> <p>HART® signals are not affected</p>
Loop power supply	<ul style="list-style-type: none"> ■ Open-circuit voltage: 24 V_{DC} (+15% /-5%) ■ Hazardous area version: > 14 V at 22 mA ■ Non-hazardous area version: > 16 V at 22 mA ■ Maximum 30 mA short-circuit-proof and overload-resistant ■ Galvanically isolated from system and outputs
Switching output	Open collector for monitoring the device state as well as open circuit and alarm notification. The OC output is closed in the fault-free operating state. In error state, the OC output is opened.

- $I_{\max} = 200 \text{ mA}$
- $U_{\max} = 28 \text{ V}$
- $U_{\text{on}/\max} = 2 \text{ V at } 200 \text{ mA}$

Galvanic isolation to all circuits, test voltage 500 V

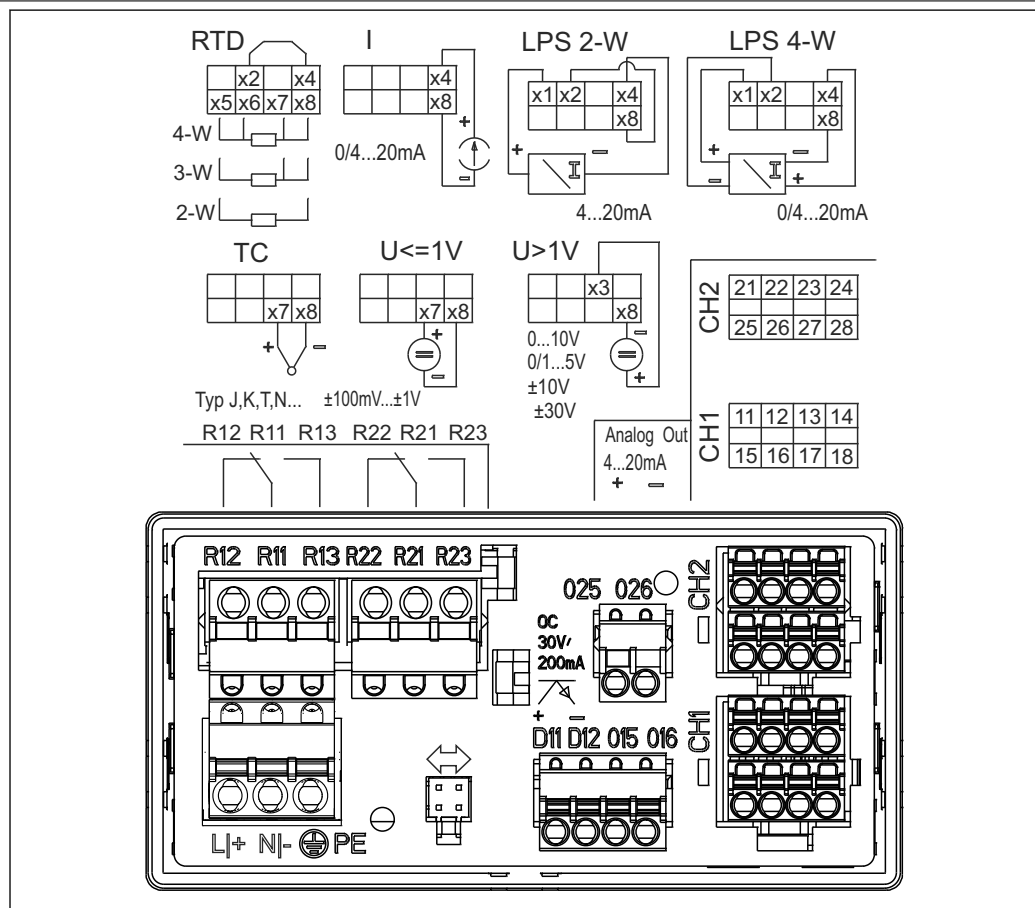
Relay output

Relay output for limit monitoring

Relay contact	Changeover
Maximum contact load DC	30 V / 3 A (permanent state, without destruction of the input)
Maximum contact load AC	250 V / 3 A (permanent state, without destruction of the input)
Minimum contact load	500 mW (12 V/10 mA)
Galv. isolation towards all other circuits	Test voltage 1500 V _{AC}
Switching cycles	> 1 million

Power supply

Terminal assignment



A0010228

- 2 Terminal assignment of the process indicator (relay (terminals Rx1-Rx3) and channel 2 (terminals 21-28 and 025/026) optional). Note: Illustrated contact position of the relays if the power supply fails.



Supply voltage

Wide range power supply 24 to 230 V AC/DC (-20 % / +10 %) 50/60 Hz

Power consumption

Max. 21.5 VA / 6.9 W

Interface connection data

Commubox FXA291 PC USB interface

- Connection: 4-pin socket
- Transmission protocol: FieldCare
- Transmission rate: 38,400 baud

Interface cable TXU10-AC PC USB interface

- Connection: 4-pin socket
- Transmission protocol: FieldCare
- Order configuration: interface cable with FieldCare Device Setup DVD incl. all Comm DTMs and Device DTMs

Performance characteristics

Reference operating conditions

Power supply: 230 V_{AC}, 50/60 Hz
 Ambient temperature: 25 °C (77 °F) ± 5 °C (9 °F)
 Humidity: 20 %...60 % rel. humidity

Maximum measured error

Universal input:

Accuracy	Input:	Range:	Maximum measured error of measuring range (oMR):
	Current	0 to 20 mA, 0 to 5 mA, 4 to 20 mA; Overrange: up to 22 mA	±0.05%
	Voltage ≥ 1 V	0 to 10 V, 2 to 10 V, 0 to 5 V, 1 to 5 V, 0 to 1 V, ±1 V, ±10 V, ±30 V	±0.1%
	Voltage < 1 V	±100 mV	±0.05%
	Resistance measurement	30 to 3000 Ω	4-wire: ± (0.10% oMR + 0.8 Ω) 3-wire: ± (0.10% oMR + 1.6 Ω) 2-wire: ± (0.10% oMR + 3 Ω)
	RTD	Pt100, -200 to 850 °C (-328 to 1562 °F) (IEC60751, α=0.00385) Pt100, -200 to 850 °C (-328 to 1562 °F) (JIS1604, w=1.391) Pt100, -200 to 649 °C (-328 to 1200 °F) (GOST, α=0.003916) Pt500, -200 to 850 °C (-328 to 1562 °F) (IEC60751, α=0.00385) Pt1000, -200 to 600 °C (-328 to 1112 °F) (IEC60751, α=0.00385)	4-wire: ± (0.10% oMR + 0.3 K (0.54 °F)) 3-wire: ± (0.10% oMR + 0.8 K (1.44 °F)) 2-wire: ± (0.10% oMR + 1.5 K (2.7 °F))
		Cu100, -200 to 200 °C (-328 to 392 °F) (GOST, w=1.428) Cu50, -200 to 200 °C (-328 to 392 °F) (GOST, w=1.428) Pt50, -200 to 1100 °C (-328 to 2012 °F) (GOST, w=1.391) Pt46, -200 to 850 °C (-328 to 1562 °F) (GOST, w=1.391) Ni100, -60 to 250 °C (-76 to 482 °F) (DIN43760, α=0.00617) Ni1000, -60 to 250 °C (-76 to 482 °F) (DIN43760, α=0.00617)	4-wire: ± (0.10% oMR + 0.3 K (0.54 °F)) 3-wire: ± (0.10% oMR + 0.8 K (1.44 °F)) 2-wire: ± (0.10% oMR + 1.5 K (2.7 °F))
		Cu53, -50 to 200 °C (-58 to 392 °F) (GOST, w=1.426)	4-wire: ± (0.10% oMR + 0.3 K (0.54 °F)) 3-wire: ± (0.10% oMR + 0.8 K (1.44 °F)) 2-wire: ± (0.10% oMR + 1.5 K (2.7 °F))
	Thermocouples	Typ J (Fe-CuNi), -210 to 1200 °C (-346 to 2192 °F) (IEC60584)	± (0.10% oMR + 0.5 K (0.9 °F)) from -100 °C (-148 °F)

Accuracy	Input:	Range:	Maximum measured error of measuring range (oMR):
		Typ K (NiCr-Ni), -200 to 1372 °C (-328 to 2502 °F) (IEC60584)	± (0.10% oMR +0.5 K (0.9 °F)) from -130 °C (-202 °F)
		Typ T (Cu-CuNi), -270 to 400 °C (-454 to 752 °F) (IEC60584)	± (0.10% oMR +0.5 K (0.9 °F)) from -200 °C (-328 °F)
		Typ N (NiCrSi-NiSi), -270 to 1300 °C (-454 to 2372 °F) (IEC60584)	± (0.10% oMR +0.5 K (0.9 °F)) from -100 °C (-148 °F)
		Typ L (Fe-CuNi), -200 to 900 °C (-328 to 1652 °F) (DIN43710, GOST)	± (0.10% oMR +0.5 K (0.9 °F)) from -100 °C (-148 °F)
		Typ D (W3Re/W25Re), 0 to 2495 °C (32 to 4523 °F) (ASTME998)	± (0.15% oMR +1.5 K (2.7 °F)) from 500 °C (932 °F)
		Typ C (W5Re/W26Re), 0 to 2320 °C (32 to 4208 °F) (ASTME998)	± (0.15% oMR +1.5 K (2.7 °F)) from 500 °C (932 °F)
		Typ B (Pt30Rh-Pt6Rh), 0 to 1820 °C (32 to 3308 °F) (IEC60584)	± (0.15% oMR +1.5 K (2.7 °F)) from 600 °C (1112 °F)
		Typ S (Pt10Rh-Pt), -50 to 1768 °C (-58 to 3214 °F) (IEC60584)	± (0.15% oMR +3.5 K (6.3 °F)) for -50 to 100 °C (-58 to 212 °F) ± (0.15% oMR +1.5 K (2.7 °F)) from 100 °C (212 °F)
		Typ U (Cu-CuNi), -200 to 600 °C (-328 to 1112 °F) (DIN 43710)	± (0.15% oMR +1.5 K (2.7 °F)) from 100 °C (212 °F)
AD converter resolution		16 bit	
Temperature drift		Temperature drift: ≤ 0.01%/K (0.1%/18 °F) oMR ≤ 0.02%/K (0.2%/18 °F) oMR for Cu100, Cu50, Cu53, Pt50 and Pt46	

Analog output:


Current	0/4 to 20 mA, overrange up to 22 mA	±0.05% of measuring range
	Max. load	500 Ω
	Max. inductivity	10 mH
	Max. capacity	10 μF
	Max. ripple	10 mVpp at 500 Ω, frequency < 50 kHz
Voltage	0 to 10 V, 2 to 10 V 0 to 5 V, 1 to 5 V Overrange: up to 11 V, shortcircuit proof, $I_{max} < 25$ mA	±0.05% of measuring range ±0.1 % of measuring range
	Max. ripple	10 mVpp at 1000 Ω, frequency < 50 kHz
Resolution	13 bit	
Temperature drift	≤ 0.01%/K (0.1%/18 °F) of measuring range	
Galvanic isolation	Testing voltage of 500 V towards all other circuits	

Installation

Mounting location Panel, cutout 92 x 45 mm (3.62 x 1.77 in) (see 'Mechanical construction').
Max. panel thickness 26 mm (1 in).

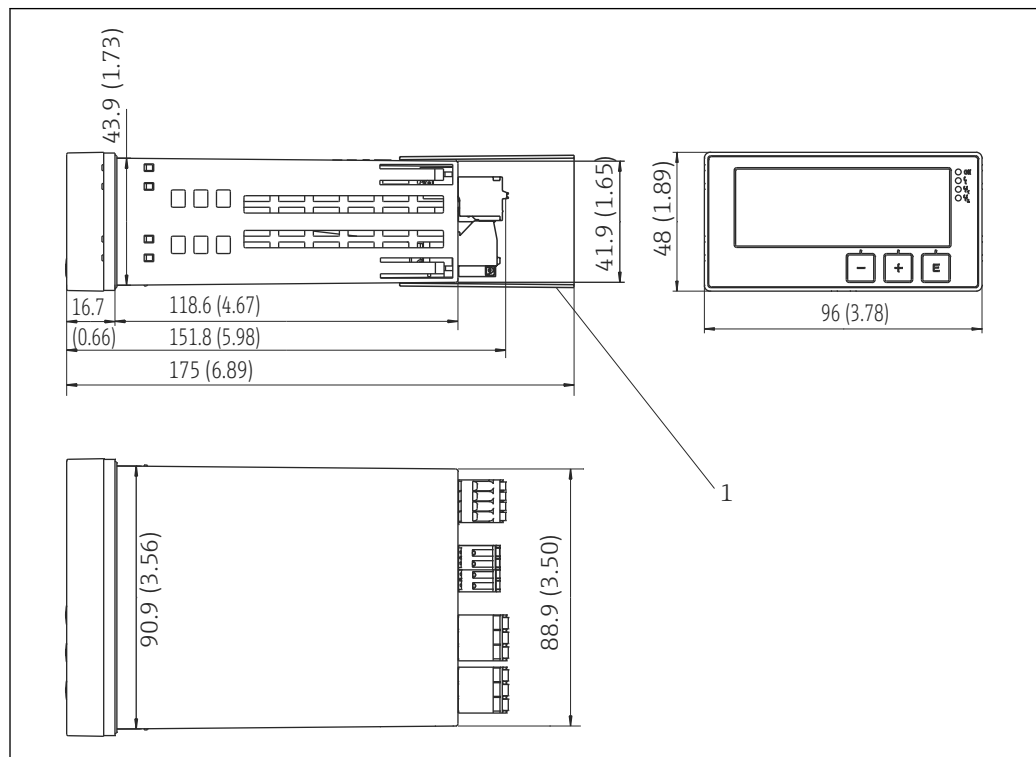
Orientation No restrictions.
The orientation is determined by the readability of the display.
Max. viewing angle range +/- 45° from the central display axis in every direction.

Environment

Ambient temperature	<p>NOTICE</p> <p>Operation in the upper temperature range reduces the operating life of the display.</p> <ul style="list-style-type: none"> ▶ To avoid heat buildup, always ensure that the device is sufficiently cooled. <p>Non-Ex/Ex devices: -20 to 60 °C (-4 to 140 °F)</p> <p>UL devices: -20 to 50 °C (-4 to 122 °F)</p>
Storage temperature	-40 to 85 °C (-40 to 185 °F)
Operating altitude	< 2 000 m (6 560 ft) above MSL
Climate class	To IEC 60654-1, Class B2
Degree of protection	<p>Front IP 65 / NEMA 4 (not UL-assessed)</p> <p>Device casing/rear IP 20</p>
Electrical safety	Class I equipment, overvoltage category II, pollution degree 2
Condensation	<p>Front: permitted</p> <p>Device casing: not permitted</p>
Electromagnetic compatibility (EMC)	<p>CE conformity</p> <p>Electromagnetic compatibility in accordance with all the relevant requirements of the IEC/EN 61326 series and NAMUR Recommendation EMC (NE21). For details refer to the EU Declaration of Conformity.</p> <ul style="list-style-type: none"> ▪ Maximum measured error < 1% of measuring range ▪ Interference immunity according to IEC/EN 61326 series, requirement industrial area ▪ Interference emission according to IEC/EN 61326 series (CISPR 11) Group 1 Class A <p> This unit is not intended for use in residential environments and cannot guarantee adequate protection of the radio reception in such environments.</p>

Mechanical construction

Design, dimensions



A0010208

3 Dimensions of the panel meter in mm (in)

1 Distance piece for terminals (Ex option)

Weight Approximately 300 g (10.6 oz)

Material Housing: plastic PC-GF10

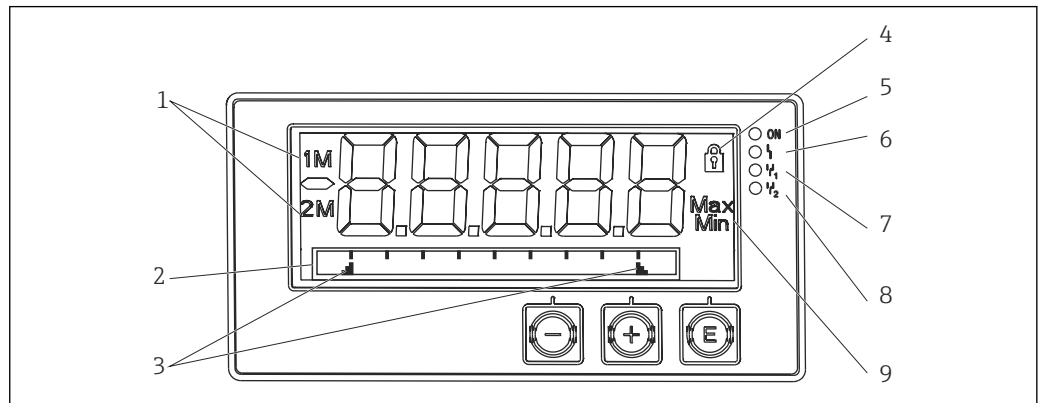
Terminals

Spring terminals	
Relay / auxiliary voltage terminals	0.2 to 2.5 mm ² (24 to 12 AWG)
Input / output terminals	0.2 to 1.5 mm ² (24 to 16 AWG)

Panel thickness Max. 26 mm (1 in)

Operability

Local operation



A0010223

4 Display of the panel meter

- 1 Channel display: 1: analog input 1; 2: analog input 2; 1M: calculated value 1; 2M: calculated value 2
- 2 Dot matrix display for TAG, bar graph and unit
- 3 Limit value indicators in the bar graph
- 4 "Operation locked" indicator
- 5 Green LED; measuring device operational
- 6 Red LED; error/alarm
- 7 Yellow LED; status of relay 1
- 8 Yellow LED; status of relay 2
- 9 Minimum/maximum value indicator

- Display
 - 5-digit, 7-segment backlit LC display
 - Dot matrix for text/bar graph
- Display range
 - 99999 to +99999 for measured values
- Signaling
 - Setup security locking (lock)
 - Measuring range overshoot/undershoot
 - 2 x status relay (only if relay option was selected)

Operating elements

3 keys: -, +, E

Remote operation

Configuration

The device can be configured with the PC software or on site using the operating keys. FieldCare Device Setup is delivered together with the Commubox FXA291 or TXU10-AC (see 'Accessories') or can be downloaded free of charge from www.endress.com.

Interface

4-pin socket for the connection with a PC via Commubox FXA291 or TXU10-AC interface cable (see 'Accessories')

Certificates and approvals

Current certificates and approvals that are available for the product can be selected via the Product Configurator at www.endress.com:

1. Select the product using the filters and search field.
2. Open the product page.
3. Select **Configuration**.

Other standards and guidelines

- IEC 60529:
Degrees of protection provided by enclosures (IP code)
- IEC 61010-1:
Safety requirements for electrical equipment for measurement, control and laboratory use
- EN 60079-11:
Explosive atmospheres - Part 11: Equipment protection by intrinsic safety "T" (optional)

Ordering information

Detailed ordering information is available from your nearest sales organization www.addresses.endress.com or in the Product Configurator at www.endress.com:

1. Select the product using the filters and search field.
2. Open the product page.
3. Select **Configuration**.



Product Configurator - the tool for individual product configuration

- Up-to-the-minute configuration data
 - Depending on the device: Direct input of measuring point-specific information such as measuring range or operating language
 - Automatic verification of exclusion criteria
 - Automatic creation of the order code and its breakdown in PDF or Excel output format
 - Ability to order directly in the Endress+Hauser Online Shop

Accessories

Various accessories are available for the device, and can be ordered with the device or at a later stage from Endress+Hauser. Detailed information on the specific order code is available from your local Endress+Hauser sales organization or on the product page of the Endress+Hauser website: www.endress.com.

Device-specific accessories

Other

Retrofitting of relays

	Order No.
Relay card incl. terminals	RIA45X-RA

Upgrade to two-channel device


	Order No.
Multifunction input card for channel 2, incl. terminals, non-Ex	RIA45X-IA
Multifunction input card for channel 2, incl. terminals, Ex version	RIA45X-IB

Communication-specific accessories

Designation
Interface cable
Commubox TXU10 incl. FieldCare Device Setup and DTM Library
Commubox FXA291 incl. FieldCare Device Setup and DTM Library

Supplementary documentation

The following types of documentation are available on the product pages and in the Download Area of the Endress+Hauser website (www.endress.com/downloads) (depending on the selected device version):

Document	Purpose and content of the document
Technical Information (TI)	Planning aid for your device The document contains all the technical data on the device and provides an overview of the accessories and other products that can be ordered for the device.
Brief Operating Instructions (KA)	Guide that takes you quickly to the 1st measured value The Brief Operating Instructions contain all the essential information from incoming acceptance to initial commissioning.
Operating Instructions (BA)	Your reference document The Operating Instructions contain all the information that is required in various phases of the life cycle of the device: from product identification, incoming acceptance and storage, to mounting, connection, operation and commissioning through to troubleshooting, maintenance and disposal.
Description of Device Parameters (GP)	Reference for your parameters The document provides a detailed explanation of each individual parameter. The description is aimed at those who work with the device over the entire life cycle and perform specific configurations.
Safety Instructions (XA)	Depending on the approval, Safety Instructions (XA) are supplied with the device. The Safety Instructions are an integral part of the Operating Instructions.  Information on the Safety Instructions (XA) that are relevant for the device is provided on the nameplate.
Supplementary device-dependent documentation (SD/FY)	Always comply strictly with the instructions in the relevant supplementary documentation. The supplementary documentation is an integral part of the device documentation.



www.addresses.endress.com
