



### DESCRIPTION

CAT6A shielded fielded plug are designed to be tool-free and meet or exceed the current eight-class transmission standard. They support 10G Ethernet (10GBASE-T) applications and meet the performance requirements of 8 channels up to 550MHz. Wide range of applications, from home networks to large data centers

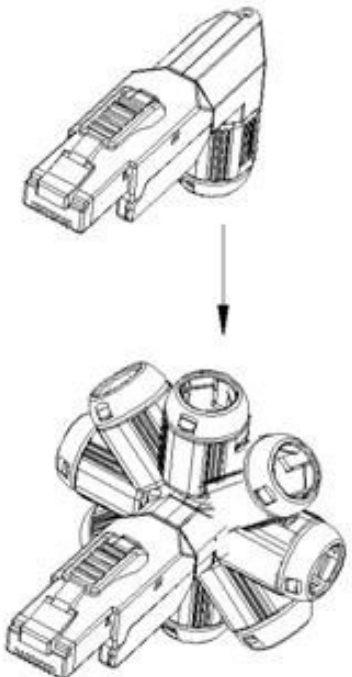
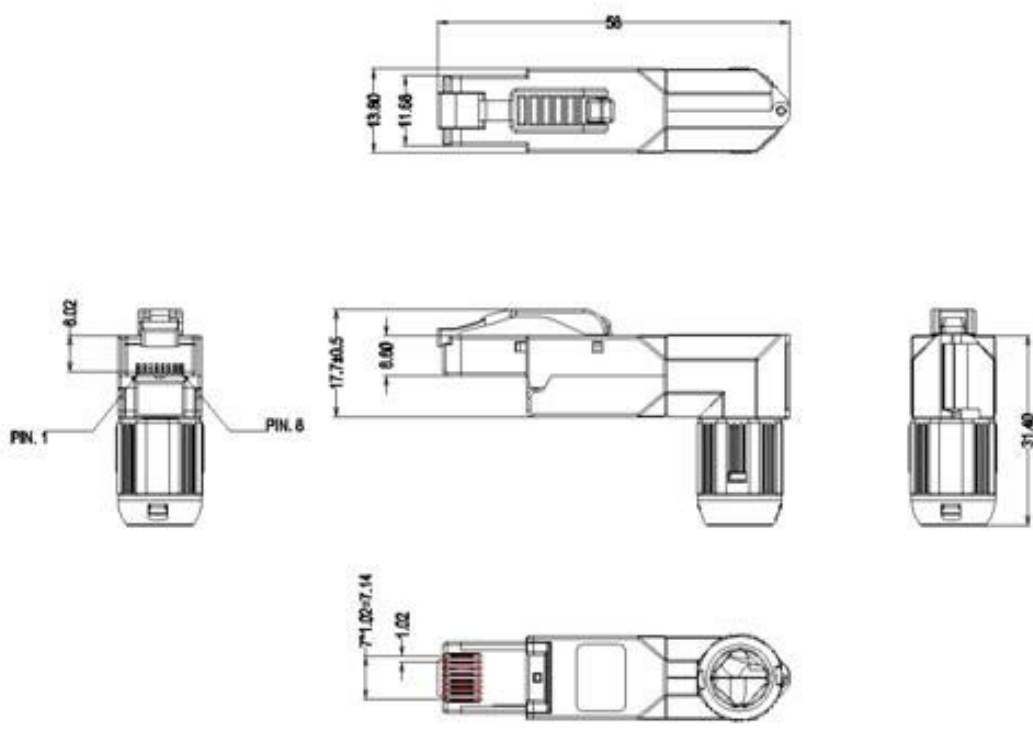
### APPLICATION

- Unique exterior design, simple, compact and beautiful
- Comply with ergonomic principle and with termination-free design
- Unique PCB circuit board design reduces EMI/RFI interference, low attenuation loss and high return loss
- Overall zinc alloy shielding design meets the industry standards
- Meet the requirements of both T568A/T568B
- phosphor bronze contact with 6-50 $\mu$ " gold plate, with a durability of 750 matching recycles
- With backward compatibility of CAT6 and lower classes
- There are 8 directions (8 x 45°) can be rotated.

### CONSTRUCTION

Description:	Parameter
Contact resistance (max)	20m $\Omega$
Insulation resistance(min)	500M $\Omega$
Return loss(dB):	3.6 dB

PRODUCT DIMENTION



8\*45°  
There is 8 directions can be rotated