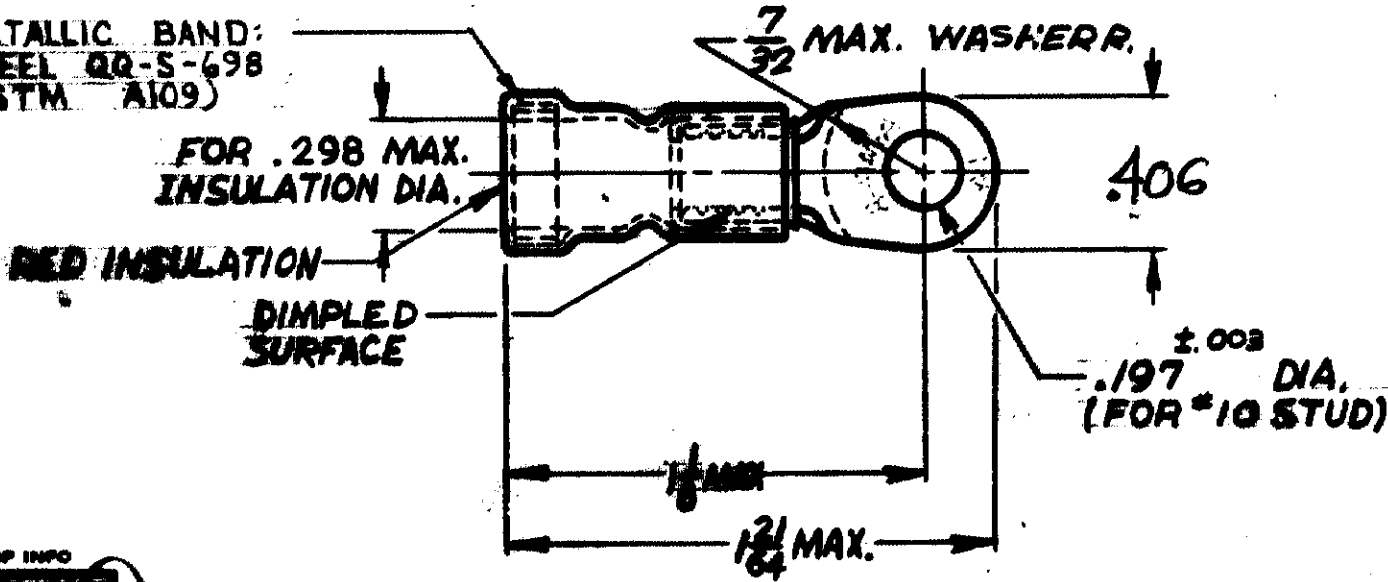


323197

© 1955 BY AMP INCORPORATED. ALL RIGHTS RESERVED. AMP PRODUCTS COVERED BY PATENTS AND/OR PATENTS PENDING.

REVISIONS			
SYM	DESCRIPTION	DATE	APPD
A	REDRAWN	5/27/65	FRW
B	REV. PER P-8347	6/10/77	REB.
C	REV G-4680	5-5-88	TMS/JT

METALLIC BAND:
STEEL QQ-S-698
(ASTM A109)



AMP INFO
LCC
6140

UNLESS OTHERWISE SPECIFIED		
DIMENSIONS ARE IN INCHES		
TOLERANCES ON		
FRACTIONS ± 1/64	DECIMALS ± .008	ANGLES ± 5°
MATERIAL COPPER (QQ-C-576)		
HEAT TREAT —		
FINISH TIN PLATED (MIL-T-10727) TYPE I		

TONGUE MATERIAL THICKNESS .040



AMP INCORPORATED
HARRISBURG, PENNSYLVANIA

SIGNATURE	DATE
DR. L.E. Conley	5/27/65
CHK. R. Wolfe	7/0/65
DESIGN	
APPD. [Signature]	5/27/65

NAME
WIRE TERMINAL
AMPLI-BOND
RING TONGUE
WIRE SIZE : 8

DSGN APPD	OTHER APPD
-----------	------------

CODE IDENT NO 00779	SIZE A	NUMBER 323197
SCALE 2:1	WT	CALC
ACTUAL	SHEET OF 1	

CUSTOMER DRAWING