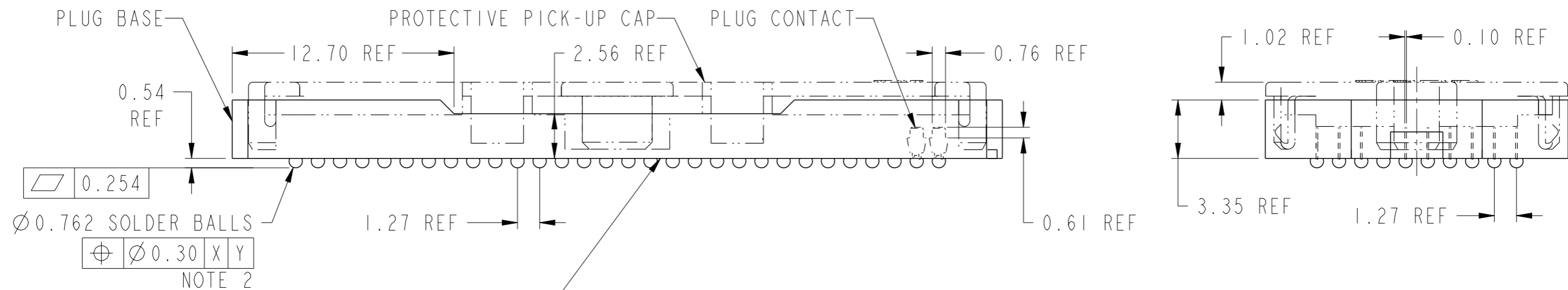
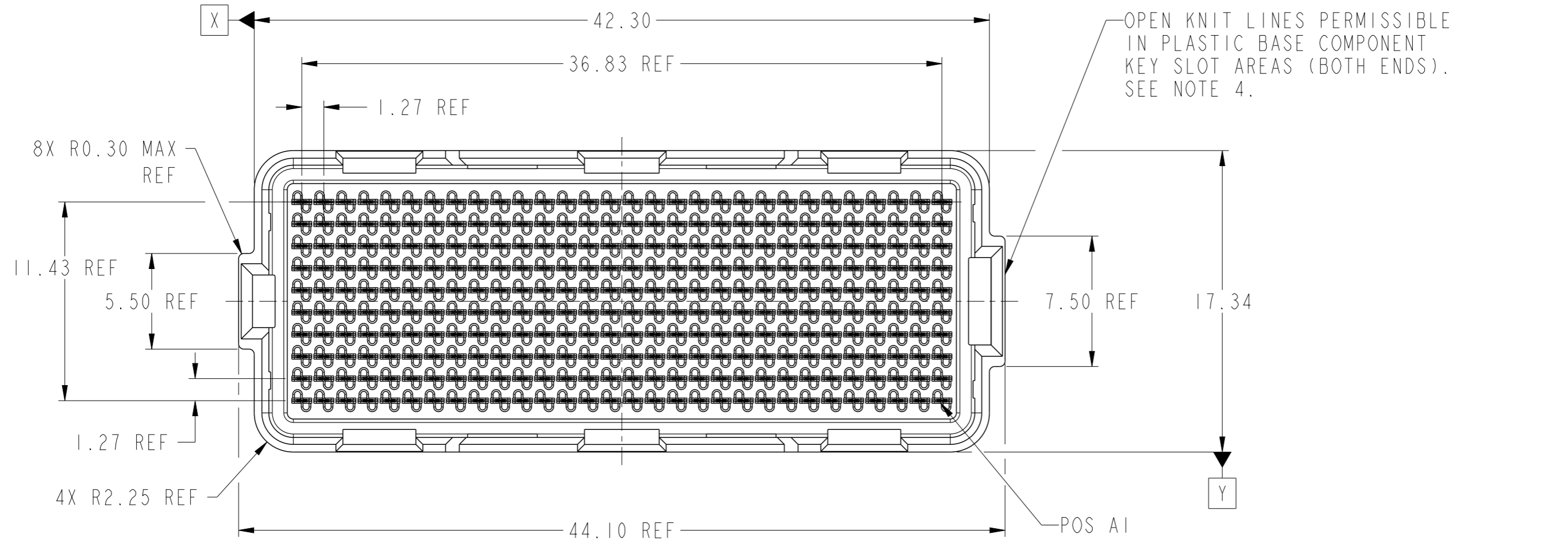


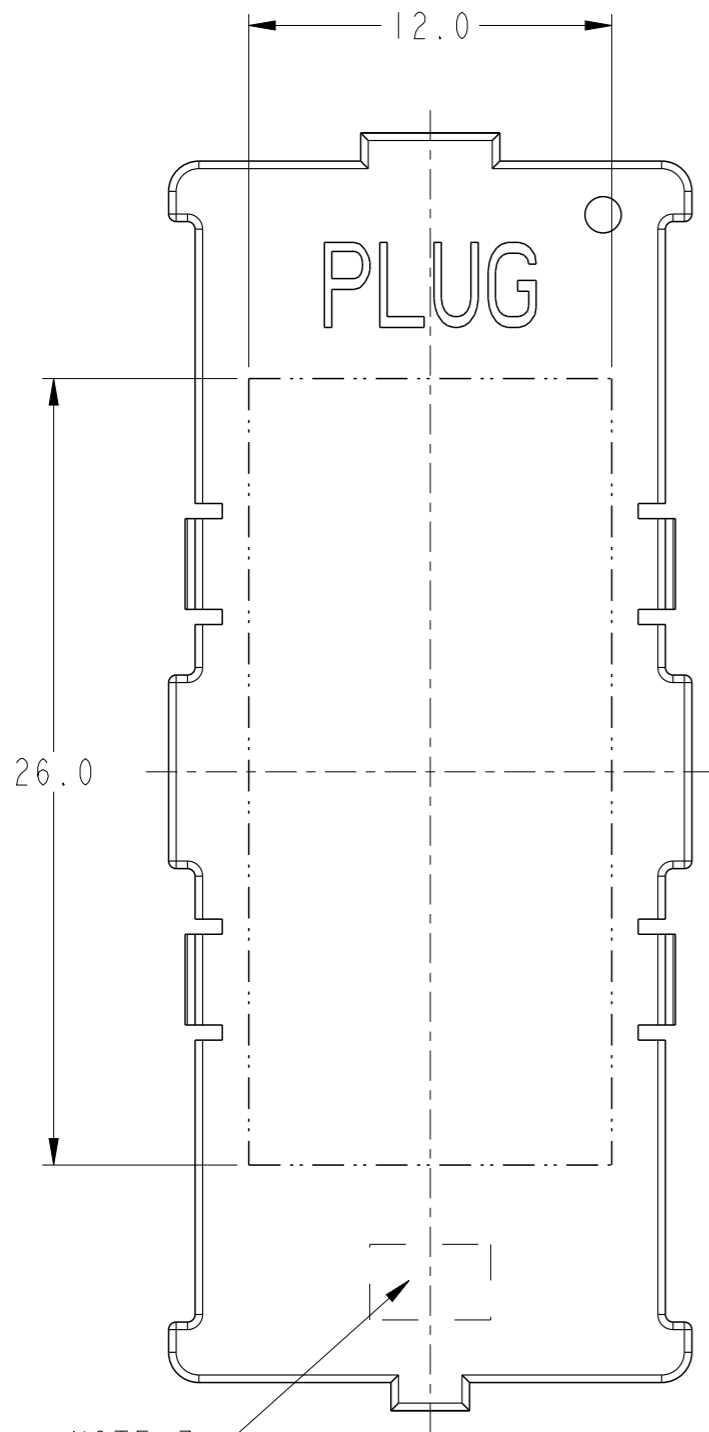
PRODUCT NUMBER
10122562-092LF



CONTINUOUS OPEN KNIT LINE CRACKS (TRAVERSING THE ENTIRE BODY LENGTH OF THE CONNECTOR) WHICH CAUSE CRITICAL-TO-FUNCTION DIMENSIONAL CHANGES THAT AFFECT THE CONNECTORS MECHANICAL ALIGNMENT FEATURES ARE NOT PERMISSIBLE. SEE NOTE 4.

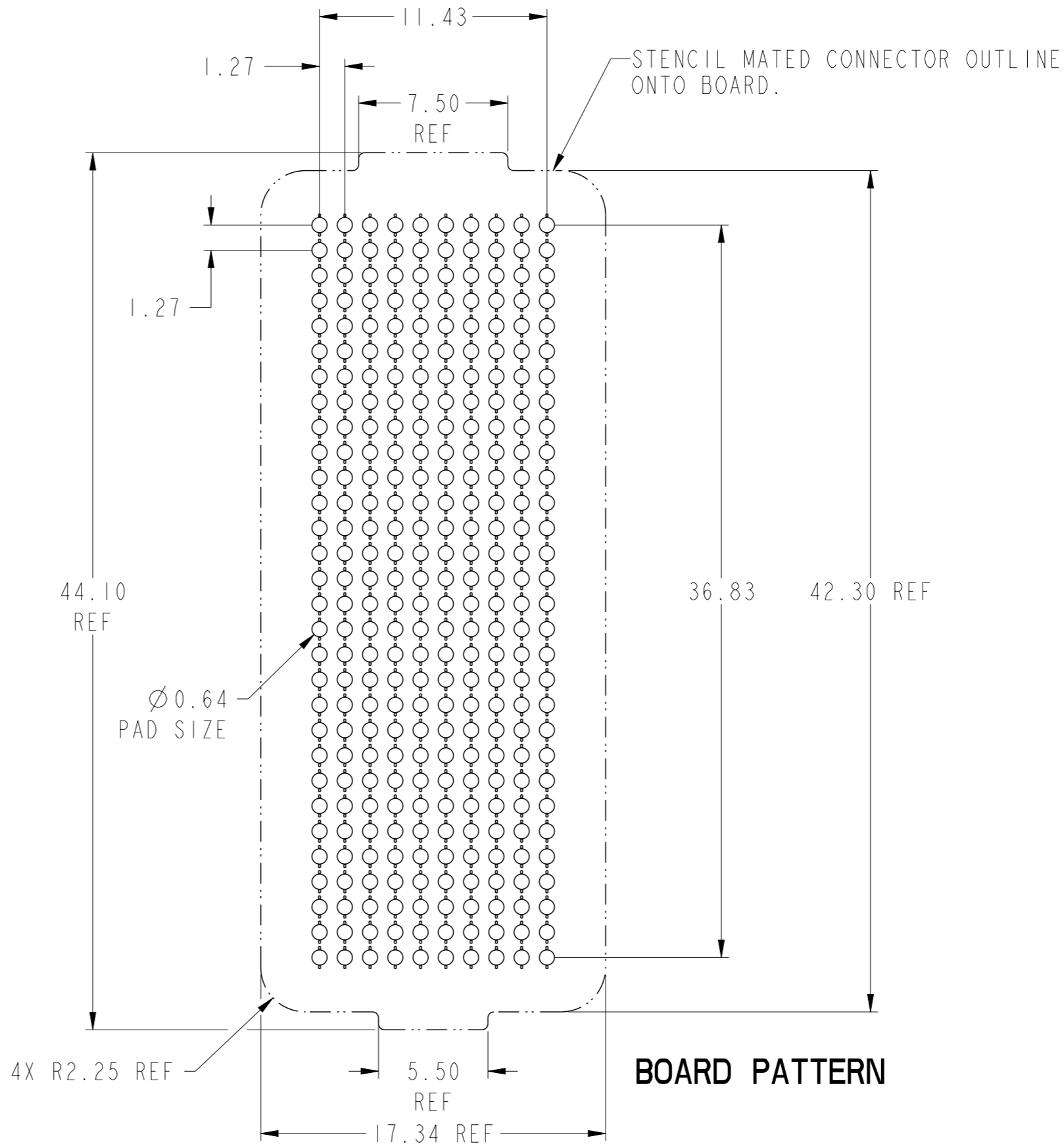
spec ref	-	dr	S Jaganathan	2012/08/31	projection	MM	size	A3	scale	1:1
tolerance std	ASME Y14.5	eng	Dave Horchler	2013/10/23			ecn no	REL LEVEL	Released	rev C
	TOLERANCES UNLESS OTHERWISE SPECIFIED	chr	-	2013/10/23						
surface	linear angular	0.X 0.XX 0.XXX	±0.3 ±0.10 ±0.050	0° ±2°		title Omm PLUG ASSEMBLY (BLACK) 10 X 30 =300 POSITIONS	dwg no 10122562	cat. no.	Product - Customer Drw	sheet 1 of 5

PRODUCT NUMBER
10122562-092LF



NOTE 7

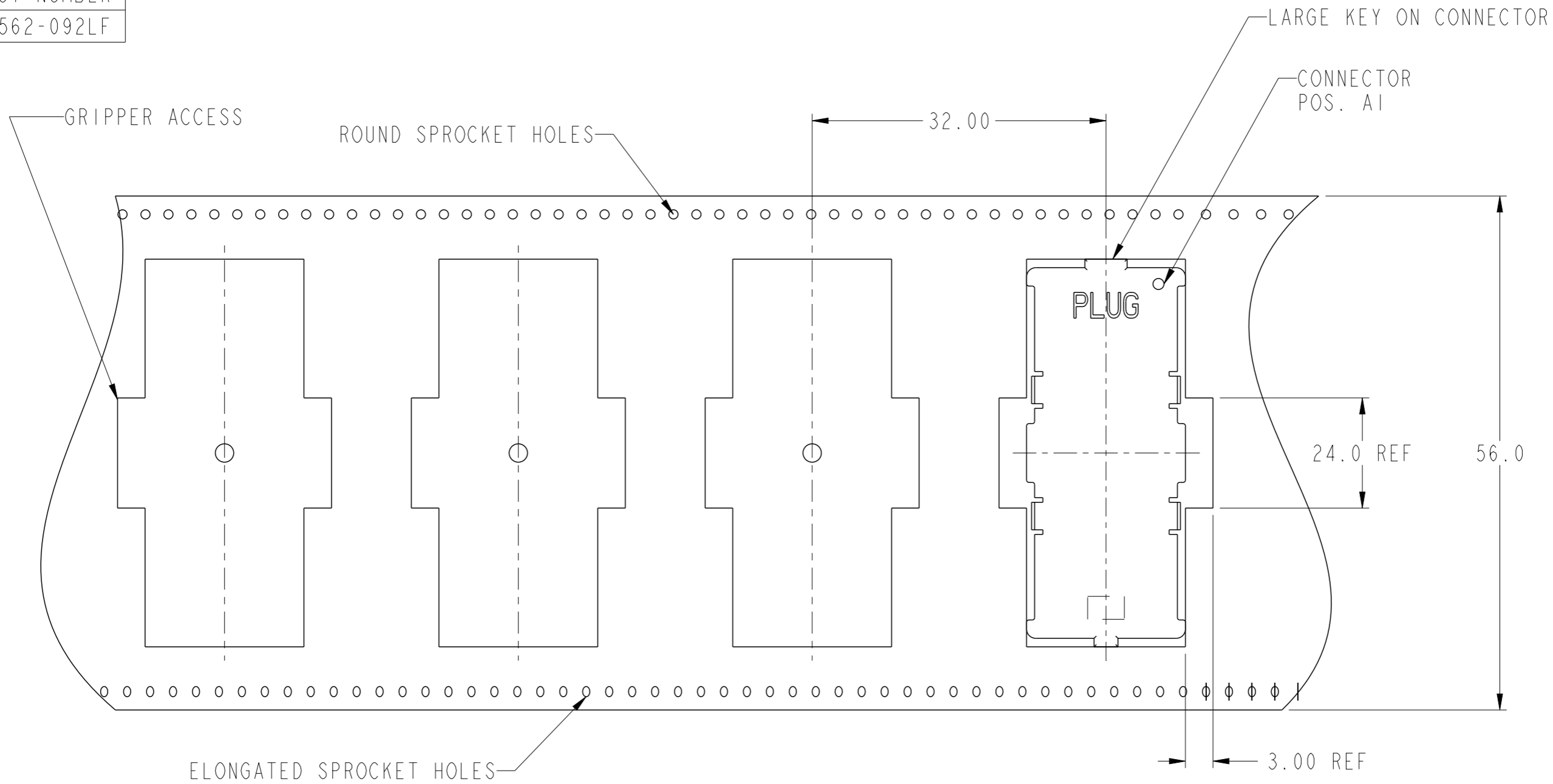
FLAT AREA FOR
PICK-UP CAP



BOARD PATTERN

spec ref	-	dr	S Jaganathan	2012/08/31	projection	MM	size	A3	scale	1:1		
tolerance std	ASME Y14.5	eng	Dave Horchler	2013/10/23			ecn no	ELX-V-16128-1	rel level	Released		
	TOLERANCES UNLESS OTHERWISE SPECIFIED	chr	-	apppr							R Marshall	2013/10/23
surface	✓	linear	0.X	±0.3		Omm PLUG ASSEMBLY (BLACK) 10 X 30 = 300 POSITIONS	dwg no 10122562	rev C	ASME Y14.5			
			0.XX	±0.10					www.fci.com	cat. no.	Product - Customer Drw	sheet 2 of 5
		angular	0°	±2°								

PRODUCT NUMBER
10122562-092LF



DE-REEL DIRECTION

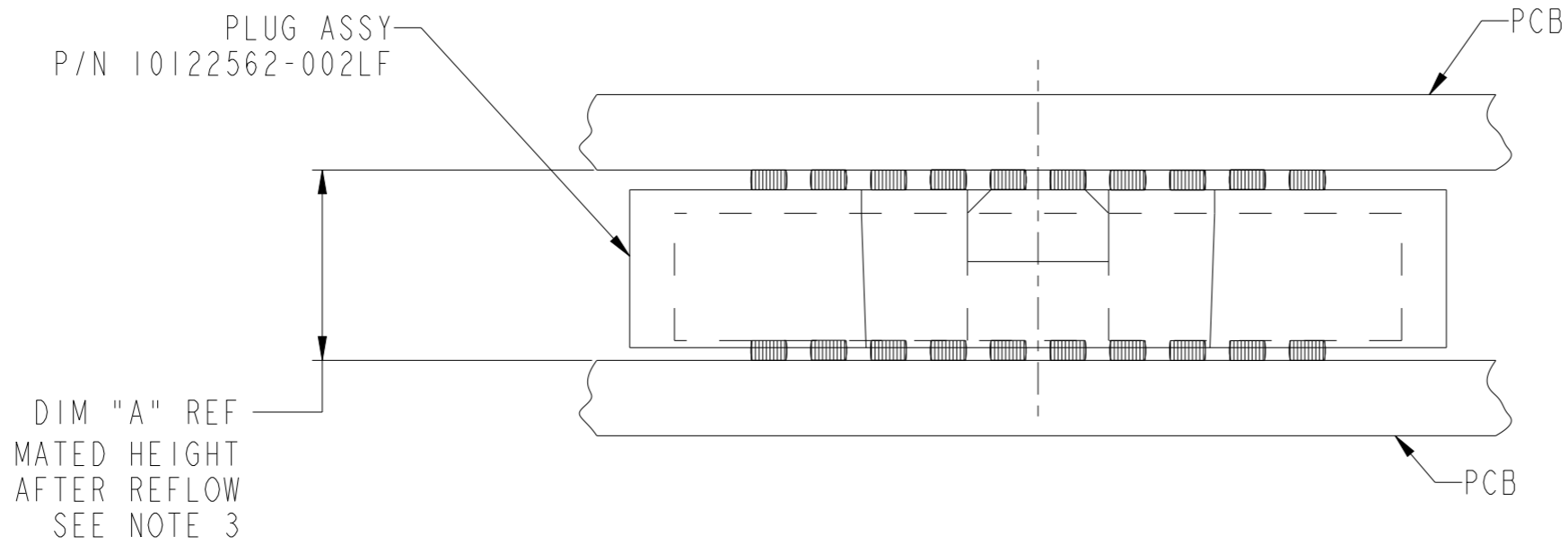


TAPE & REEL PACKAGING
PER EIA 481-3
SCALE NONE

Copyright FCI.

spec ref -		dr S Jaganathan	2012/08/31	projection	MM	size A3	scale 1:1
tolerance std ASME Y14.5	TOLERANCES UNLESS OTHERWISE SPECIFIED		eng Dave Horchler	2013/10/23		ecn no ELX-V-16128-1	
			chr -			product family MEG-ARRAY	rel level Released
surface 3.20 linear	0.X ±0.3	0.XX ±0.10	appr R Marshall	2013/10/23			rev C
ASME Y14.5 angular	0° ±2°		www.fci.com		title Omm PLUG ASSEMBLY (BLACK) 10 X 30 =300 POSITIONS		dwg no 84504 cat. no. - Product - Customer Drw

PRODUCT NUMBER
10122562-092LF



MATED HEIGHT AFTER REFLOW IS BASED ON \varnothing 0.64mm PAD (METAL-DEFINED)
AND 0.13mm SOLDER PASTE STENCIL THICKNESS. SEE NOTE 3

END VIEW - MATED CONNECTORS
SCALE NONE

Copyright FCI.
FCI

spec ref	-	dr	S Jaganathan	2012/08/31	projection	MM	size	A3	scale	1:1		
tolerance std	ASME Y14.5	eng	Dave Horchler	2013/10/23			ecn no		ELX-V-16128-1			
	TOLERANCES UNLESS OTHERWISE SPECIFIED	chr	-	apppr			R Marshall	2013/10/23	product family	MEG-ARRAY	rel level	Released
surface	3.20 linear	0.X	± 0.3		part no		0mm PLUG ASSEMBLY (BLACK)		dwg no	84504	rev	C
		0.XX	± 0.10		10 X 30 = 300 POSITIONS							
		0.XXX	± 0.050		cat. no.	-	Product - Customer Drw		sheet 4 of 5			
ASME Y14.5	angular	0°	$\pm 2^\circ$	www.fci.com								

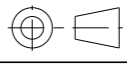
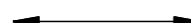

PRODUCT NUMBER

10122562-092LF

NOTES:

- ① MATERIAL:
HOUSING: LCP-BLACK
CONTACT: COPPER ALLOY

PLATING:
CONTACT: 15μ" (0.38μm) GXT OVER Ni UNDERPLATE
(GOLD SUBSTITUTION PERMISSABLE)
SOLDER BALL: LEAD FREE 95.5Sn/4Ag/0.5Cu
- ② SOLDER BALLS WILL NOT HAVE PERFECT SPHERICAL SHAPES DUE TO REFLOW ATTACHMENT.
- ③ MATED HEIGHT EFFECTED BY CUSTOMER'S PCB PAD SIZE, PLATING, SOLDER REFLOW PROFILE, & SOLDER PASTE.
- ④ FOR PROPER APPLICATION FOLLOW FCI APPLICATION SPECIFICATION GS-20-033 LEAD FREE SOLDER BALLS WILL NOT SOLDER PROPERLY IN A LEADED SOLDER PROCESS DUE TO A HIGHER REFLOW TEMPERATURE. LEAD FREE PRODUCT IS THEREFORE NOT BACKWARDS COMPATIBLE WITH LEADED OR SOME SOLDERING APPLICATIONS. REFERENCE FCI APPLICATION SPECIFICATION.
- ⑤ THIS PRODUCT MEETS EUROPEAN UNION DIRECTIVES AND OTHER COUNTRY REGULATIONS AS DESCRIBED IN GS-47-0004 PRODUCT MEETING THIS DIRECTIVE IS IDENTIFIED IN THE LOT CODE NUMBER MARKED ON EACH PART BY HAVING AN "X" IN THE SEVENTH CHARACTER POSITION.
- ⑥ CURRENT COMPANY LOGO TO BE VISIBLE IN APPROXIMATE AREA SHOWN.
- ⑦ SEE PRODUCT SPEC GS-12-100 FOR TEST AND PERFORMANCE INFORMATION.

spec ref	-	dr	S Jaganathan	2012/08/31	projection	MM	size	A3	scale	1:1			
tolerance std	ASME Y14.5	eng	Dave Horchler	2013/10/23			ecn no		ELX-V-16128-1				
	TOLERANCES UNLESS OTHERWISE SPECIFIED	chr	-	-			product family		MEG-ARRAY		rel level		Released
surface	3.20 linear	appr	R Marshall	2013/10/23				Omm PLUG ASSEMBLY (BLACK) 10 X 30 =300 POSITIONS		dwg no 84504		rev	C
	ASME Y14.5 angular									cat. no. -		Product - Customer Drw	



Copyright FCI.