

**Ratings**

Voltage: 300 V  
 Temperature: -40~105 °C  
 Flammability: VW-1

**Conductor**

Conductor count: 2  
 Gauge: 18 AWG 0.82 mm<sup>2</sup>  
 Material: tinned copper strands  
 Strand size:  $\varnothing 0.127 \times 65$   
 Resistance at 20 °C: 23.2  $\Omega$  /km max

**Insulator**

Material: FEP  
 Color: red, black  
 Diameter:  $\varnothing 1.5 \pm 0.10$   
 Nominal thickness: 0.13 mm  
 Resistance at 20 °C: 10 M $\Omega$  /km min

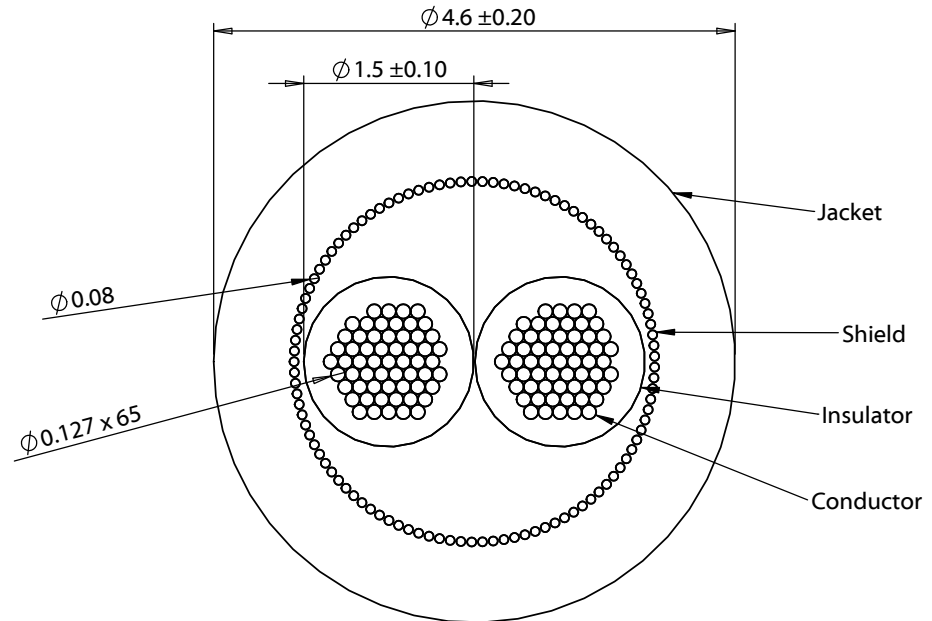
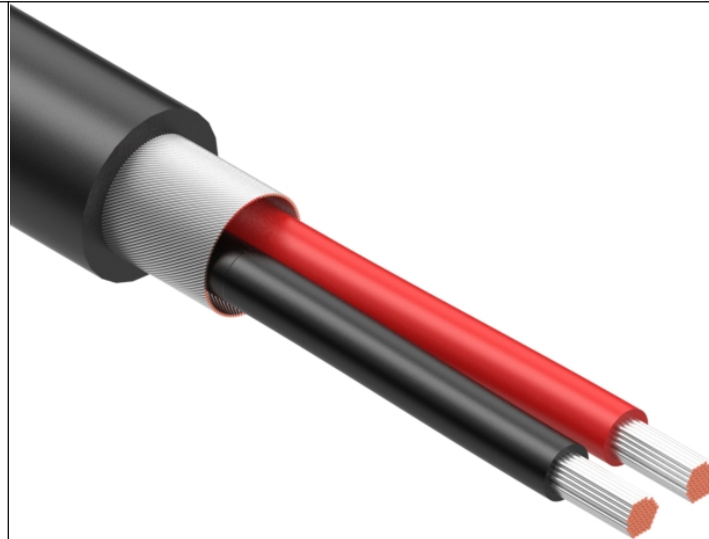
**Shield**

Material: tinned copper strands  
 Strand size:  $\varnothing 0.08$  mm , 85% min coverage

**Outer jacket**

Material: TPE, 78A  
 Color: black, matte  
 Diameter:  $\varnothing 4.6 \pm 0.20$   
 Nominal thickness: 0.6 mm

**Wire marking:** E339579 UL AWM STYLE 21296 18 AWG 105°C  
 300V VW-1 --- cUL AWM I A 105°C 300V FT1 TENSILITY DGT



Revision:	Date:	Description:
A	10/26/2021	Initial release

Prepared: **MP**  
Digitally signed by MP  
 Date: 2021.11.01  
 16:13:25 -0700'

Verified: **JD**  
Digitally signed by JD  
 Date: 2021.11.03  
 09:51:40 -0700'

Dimensions are in millimeters.  
 Tolerances:  
 X:  $\pm 0.5$  mm  
 X.X:  $\pm 0.3$  mm  
 X.XX:  $\pm 0.05$  mm

Notes:  
 RoHS compliant  
 Phthalate free  
 Function test: no open, no short circuit, no intermittent

Description:  
 Wire, 2C TS, 18 AWG, UL 21296, 300V, 105C, 4.6 mm, shielded, VW-1, TPE

**TENSILITY**

tel 1.541.323.3228 800 877.670.7118  
 fax 1.541.323.4202 web tensility.com

Size:	Part number:
A	30-02410
Scale: 15:1	Sheet 1 of 1