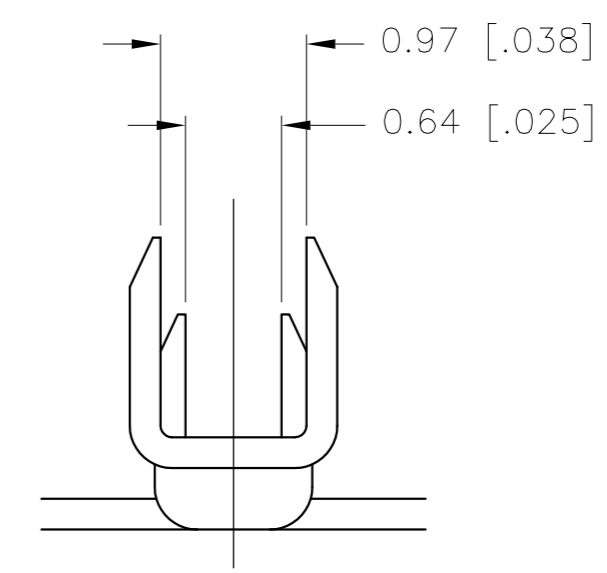
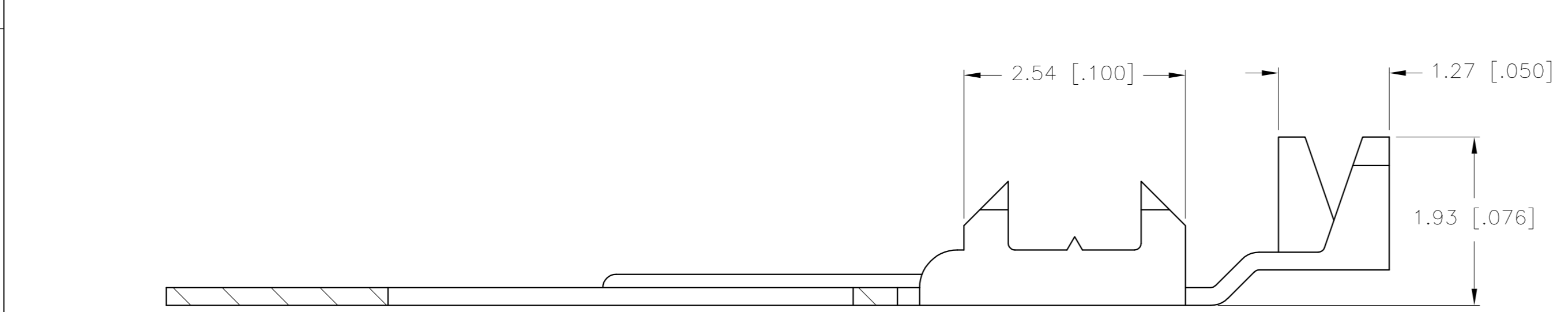
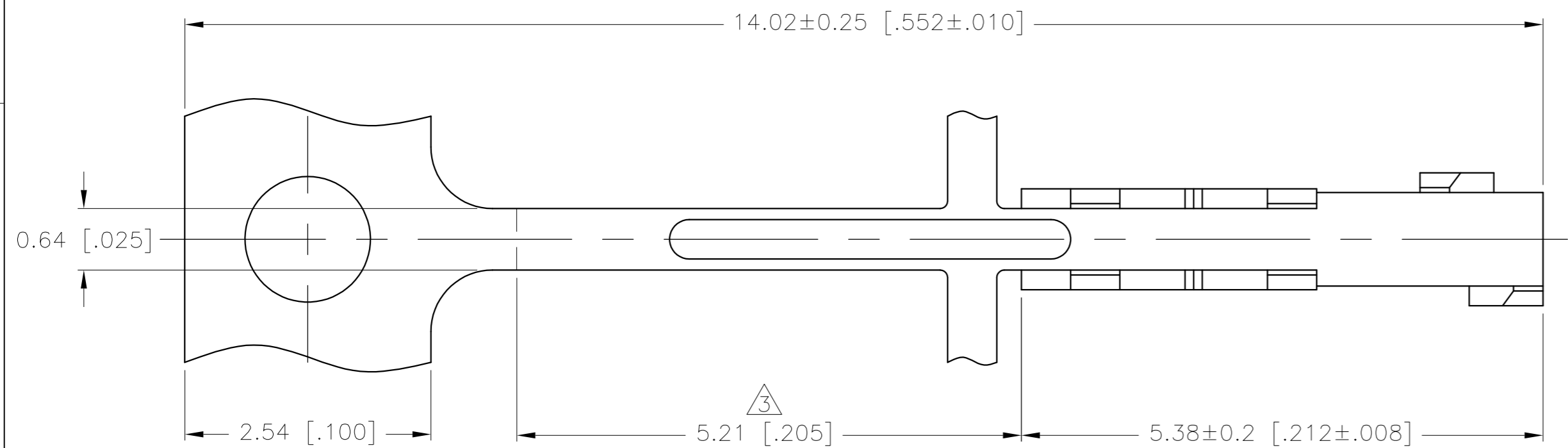


THIS DRAWING IS UNPUBLISHED. RELEASED FOR PUBLICATION  
 © COPYRIGHT BY TYCO ELECTRONICS CORPORATION. ALL RIGHTS RESERVED.

LOC	DIST	REVISIONS			
P	LTR	DESCRIPTION	DATE	DWN	APVD
GP	00	A	REVISED PER ECO-07-022535	10NOV07	JDP CWR

- ① PHOSPHOR BRONZE, 0.20[.008] THICK.
- ② 0.00254[.000100] MIN TIN OVER 0.00127[.000050] MIN NICKEL.
- ③ APPLICATOR CUTOFF DIMENSION.



PHYSICAL PROPERTIES	
CONTACT RETENTION FORCE:	44 N
INSERTION FORCE:	1.4 N PER CONTACT
EXTRACTION FORCE:	1 N PER CONTACT
ELECTRICAL PROPERTIES	
CURRENT RATING:	3 AMPS PER PIN
ENVIRONMENTAL PROPERTIES	
TEMPERATURE RATING:	-40°C TO +105°C

1658545-1  
PART NUMBER

THIS DRAWING IS A CONTROLLED DOCUMENT.		DWN	J.GERACE	26AUG04	Tyco Electronics Corporation Harrisburg, PA 17105-3608								
DIMENSIONS: mm [INCHES]		CHK	S.BOLASH	26AUG04									
TOLERANCES UNLESS OTHERWISE SPECIFIED:		APVD	M.WALMSLEY	26AUG04									
0 PLC ± - 1 PLC ± - 2 PLC ± - 3 PLC ± 0.13[.005] 4 PLC ± - ANGLES ± -		PRODUCT SPEC	NAME			CONTACT, SOLDER TAB, FLEXPAC®							
MATERIAL	①	FINISH	②	WEIGHT	-	SIZE	A2	CAGE CODE	00779	DRAWING NO	C=1658545	RESTRICTED TO	-
CUSTOMER DRAWING		SCALE		20:1	SHEET	1 OF 1	REV	A					