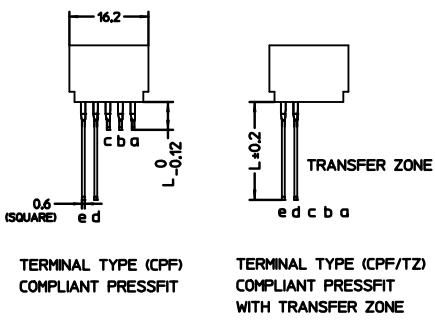


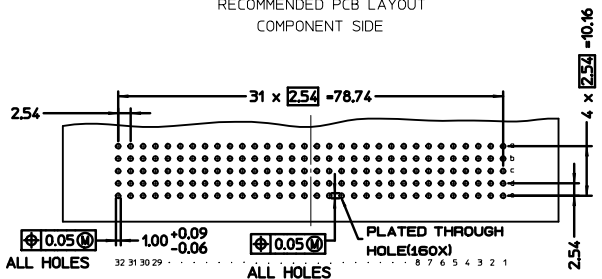
e	d	c	b	a	
0	X	0	0	#	32
X	0	0	0	0	31
0	0	0	0	0	30
0	0	0	0	0	29
0	0	0	0	0	28
0	0	0	0	0	27
0	0	0	0	0	26
0	0	0	0	0	25
0	0	0	0	0	24
0	0	0	0	0	23
0	0	#	#	#	22
0	0	#	#	#	21
0	0	#	#	#	20
0	0	#	#	#	19
0	0	#	#	#	18
0	0	0	0	0	17
0	0	0	0	0	16
0	0	0	0	0	15
0	0	0	0	0	14
0	0	X	0	0	13
0	0	#	#	#	12
0	0	0	0	0	11
0	0	0	0	0	10
0	0	0	0	0	9
0	0	0	0	0	8
0	0	0	0	0	7
0	0	0	0	0	6
0	0	0	0	0	5
0	0	0	0	0	4
0	0	0	0	0	3
0	0	#	#	#	2
0	0	0	0	0	1

PIN STAGING INSERTION TABLE

CONTACT LENGTH	TERMINAL LENGTH (L)	TERMINAL TYPE	SYMBOL
LMEB 4.0 MM	4.0 MM	CPF	0
LMEB 4.0 MM	20.0 MM	CPF/TZ	⊗
STD 4.8 MM	4.0 MM	CPF	#
NO PIN N/A	NO PIN	NONE	X



RECOMMENDED PCB LAYOUT COMPONENT SIDE



NOTE:

- MATERIAL:-
HOUSING : THERMOPLASTIC POLYESTER, GLASS FILLED, UL94V-0
COLOUR: PEBBLE GREY, RAL 7032

TERMINAL - PHOSPHOR BRONZE
- FINISH:

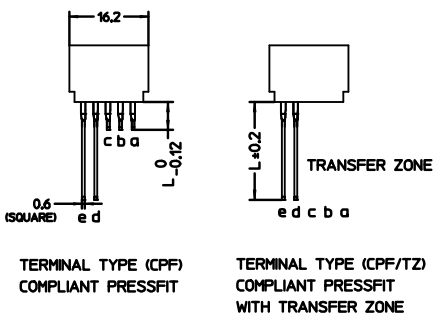
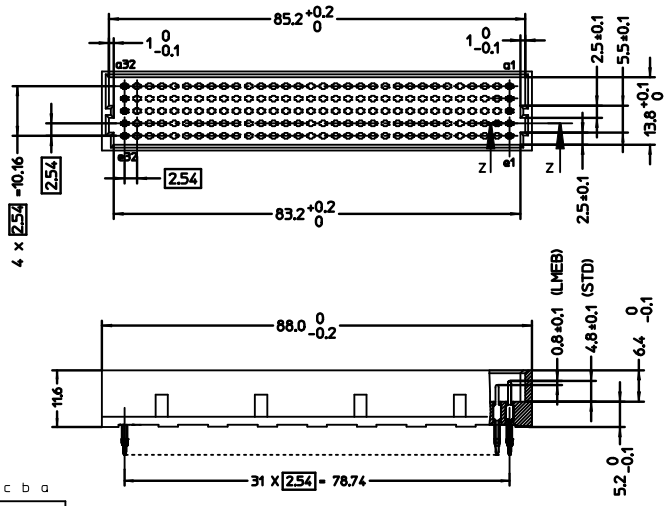
CONTACT ZONE : 30 MICRO INCH MIN Au (APPLIED OVER 3.8 MM MIN ALONG PIN)
UNIFORMLY APPLIED OVER 50 MICROINCH MIN NICKEL (Ni)

PRESSFIT ZONE : FOR PINS MARKED '0' 50 MICROINCH MIN OF NICKEL (Ni)

PRESSFIT ZONE : FOR PINS MARKED '0' AND '#': 40 MICROINCH MIN OF TIN-LEAD (SnPb)

TRANSFER ZONE : 30 MICRO INCH MIN Au (APPLIED OVER 5.0 MM MIN ALONG PIN)
UNIFORMLY APPLIED OVER 50 MICROINCH MIN NICKEL (Ni)
- CONNECTOR MUST MEET BELLCORE GR1217-CORE UNCONTROLLED ENVIRONMENT LEVEL 3 REQUIRED
- CUT FACES OF TIP WITHOUT PLATING PERMITTED
- MATERIAL NUMBER, BATCHCODE SHALL BE PRINTED ON THE CONNECTOR
- PRODUCT SPECIFICATION : PS-36577-001

EC NO: 2008L0096 EC NO: S 29/05/03 CHK: G.S 29/05/03 APPR: L 29/05/03 REV: 3	QUALITY SYMBOLS MAJOR CRITICAL	GENERAL TOLERANCES: (UNLESS SPECIFIED) mm INCH	SCALE: 2 : 1 DESIGN UNITS: mm INCH	THRD ANGLE PROJECTION: <input type="checkbox"/> mm <input checked="" type="checkbox"/> INCH	DIMENSIONS: mm INCH mm ONLY	SHT: REV: 1 OF 1
	DRAWN BY & DATE: S.S 03/04/03 CHECKED BY & DATE: G.L 03/04/03 APPROVED BY & DATE: G.L 03/04/03	TITLE: ASSEMBLY DIN 41612, R MALE, 5 ROW, 160 POS. PRESSFIT WITHOUT MOUNTING HOLES	CAD FILENAME: SD-36577-001.MI MATERIAL NO.: 36577-0001 DRAWING NO.: SD-36577-001		MOLEX INCORPORATED	

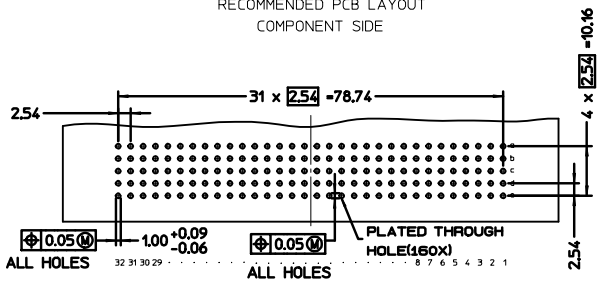


e	d	c	b	a	
0	X	0	0	#	32
X	0	0	0	0	31
0	0	0	0	0	30
0	0	0	0	0	29
0	0	0	0	0	28
0	0	0	0	0	27
0	0	0	0	0	26
0	0	0	0	0	25
0	0	0	0	0	24
0	0	0	0	0	23
0	0	#	#	#	22
0	0	#	#	#	21
0	0	#	#	#	20
0	0	#	#	#	19
0	0	#	#	#	18
0	0	0	0	0	17
0	0	0	0	0	16
0	0	0	0	0	15
0	0	0	0	0	14
0	0	X	0	0	13
0	0	#	#	#	12
0	0	0	0	0	11
0	0	0	0	0	10
0	0	0	0	0	9
0	0	0	0	0	8
0	0	0	0	0	7
0	0	0	0	0	6
0	0	0	0	0	5
0	0	0	0	0	4
0	0	0	0	0	3
0	0	#	#	#	2
0	0	0	0	0	1

PIN STAGING INSERTION TABLE

CONTACT LENGTH	TERMINAL LENGTH (L)	TERMINAL TYPE	SYMBOL
LMEB 4.0 MM	4.0 MM	CPF	0
LMEB 4.0 MM	20.0 MM	CPF/TZ	⊗
STD 4.8 MM	4.0 MM	CPF	#
NO PIN N/A	NO PIN	NONE	X

RECOMMENDED PCB LAYOUT COMPONENT SIDE



- NOTE:
- MATERIAL:-
HOUSING : THERMOPLASTIC POLYESTER, GLASS FILLED, UL94V-0
COLOUR: PEBBLE GREY, RAL 7032

TERMINAL - PHOSPHOR BRONZE
 - FINISH:

CONTACT ZONE : 30 MICRO INCH MIN Au (APPLIED OVER 3.8 MM MIN ALONG PIN)
UNIFORMLY APPLIED OVER 50 MICROINCH MIN NICKEL (Ni)

PRESSFIT ZONE : FOR PINS MARKED '⊗' 50 MICROINCH MIN OF NICKEL (Ni)

PRESSFIT ZONE : FOR PINS MARKED '0' AND '#': 40 MICROINCH MIN OF TIN-LEAD (SnPb)

TRANSFER ZONE : 30 MICRO INCH MIN Au (APPLIED OVER 5.0 MM MIN ALONG PIN)
UNIFORMLY APPLIED OVER 50 MICROINCH MIN NICKEL (Ni)
 - CONNECTOR MUST MEET BELLCORE GR1217-CORE UNCONTROLLED ENVIRONMENT LEVEL 3 REQUIRED
 - CUT FACES OF TIP WITHOUT PLATING PERMITTED
 - MATERIAL NUMBER, BATCHCODE SHALL BE PRINTED ON THE CONNECTOR
 - PRODUCT SPECIFICATION : PS-36577-001

EC NO: 2008L0096 EC NO: S 29/05/03 CHK: S 29/05/03 APPR: L 29/05/03 REY:	QUALITY SYMBOLS MAJOR CRITICAL	GENERAL TOLERANCES: (UNLESS SPECIFIED) mm INCH	SCALE: 2 : 1 DESIGN UNITS: mm INCH	THRD ANGLE PROJECTION: <input type="checkbox"/> mm <input checked="" type="checkbox"/> INCH	DIMENSIONS: <input type="checkbox"/> mm <input checked="" type="checkbox"/> INCH <input type="checkbox"/> mm ONLY	SHT: REV CAD ONLY
	DRAWN BY & DATE: S.S. 03/04/03 CHECKED BY & DATE: G.L. 03/04/03 APPROVED BY & DATE: G.L. 03/04/03	TITLE: ASSEMBLY DIN 41612, R MALE, 5 ROW, 160 POS. PRESSFIT WITHOUT MOUNTING HOLES	MOLEX INCORPORATED		CAD FILENAME: SD-36577-001.MI MATERIAL NO.: 36577-0001 DRAWING NO.: SD-36577-001	SHEET NO.: 1 OF 1 SIZE: D