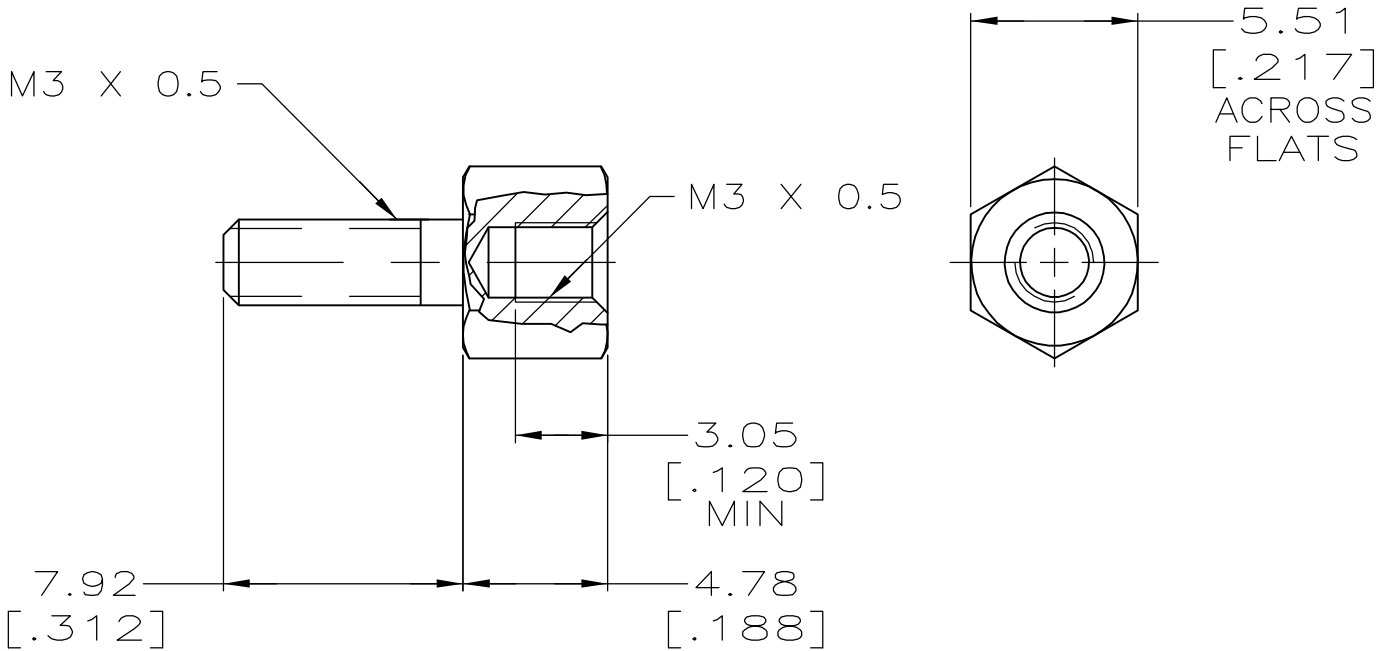


LOC	DIST	REVISIONS					
GP	00	P	LTR	DESCRIPTION	DATE	DWN	APVD
		0		RELEASED PER EC OS13-0207-05	23JUN05	RR	JG



- ① ZINC PLATED .000200-.000400 THICK, YELLOW CHROMATE COATING.
- ② ZINC PLATED .000200-.000400 THICK, CLEAR CHROMATE COATING.

②	5207882-3
①	5207882-2
FINISH	PART NUMBER

THIS DRAWING IS UNPUBLISHED.

ALL RIGHTS RESERVED.

© COPYRIGHT - BY TYCO ELECTRONICS CORPORATION.

DIMENSIONS: mm [INCHES]	DWN R.RICHARDSON	23JUN05	MATERIAL CARBON STEEL	FINISH SEE TABLE
	CHK C.ROHDE	23JUN05	tyco Tyco Electronics Corporation Electronics Harrisburg, Pa 17105-3608	
TOLERANCES UNLESS OTHERWISE SPECIFIED:	APVD M.WALMSLEY	23JUN05		
0 PLC ± -	PRODUCT SPEC	NAME SCREWLOCK, FEMALE, HD SERIES, METRIC, AMPLIMITE		
1 PLC ± -	---			
2 PLC ± 0.13 [.005]	APPLICATION SPEC	SIZE	CAGE CODE	DRAWING NO
3 PLC ± -	---	A4	00779	②-5207882
4 PLC ± -	WEIGHT	RESTRICTED TO		
ANGLES ± -	---	---		
		CUSTOMER DRAWING		SCALE 4:1 SHEET 1 OF 1 REV 0