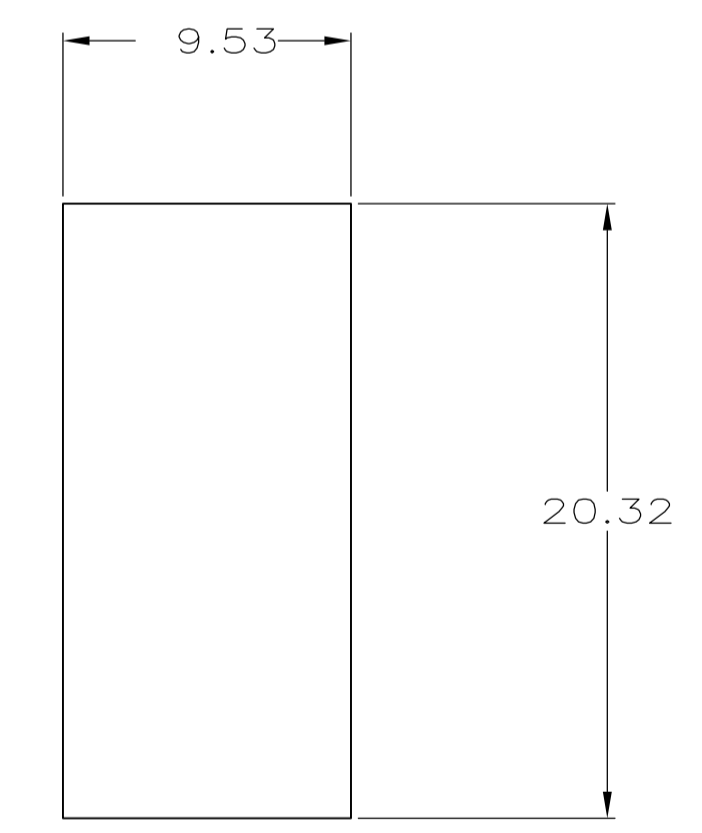
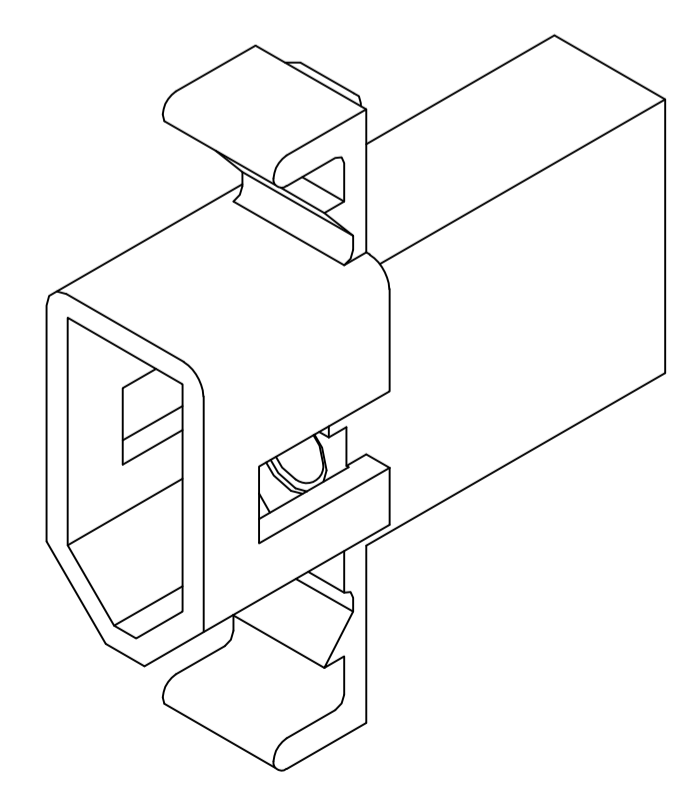


1. RECOMMENDED PANEL THICKNESS 2.29 MAX.  
 △ MARKING FOR UL AND CSA LOGOS LOCATED ON THIS SURFACE.

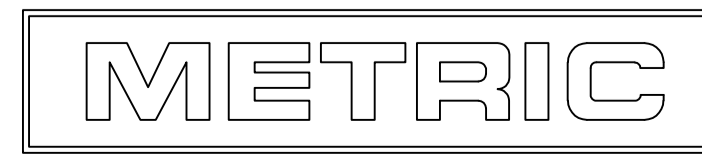


RECOMMENDED PANEL CUT OUT



3-DIMENSIONAL MODEL NTS

30.48	1.200
27.81	1.095
20.32	.800
16.26	.640
13.72	.540
9.53	.375
9.02	.355
6.30	.248
6.22	.245
2.29	.090
0.38	.015
0.25	.010
0.13	.005
MM	IN
CONVERSION TABLE	



770068-1  
PART NUMBER

THIS DRAWING IS A CONTROLLED DOCUMENT.		DWN K. WHITAKER 2-24-98	TE Connectivity
DIMENSIONS: mm		CHK R. SWING 2-24-98	
TOLERANCES UNLESS OTHERWISE SPECIFIED:		APVD K. COBLE 2-24-98	NAME PLUG, 2 CIRCUIT, .093 PIN AND SOCKET
0. PLC ± - 1. PLC ± - 2. PLC ± 0.13 3. PLC ± - 4. PLC ANGLES ± -		PRODUCT SPEC	APPLICATION SPEC
MATERIAL NYLON, UL 94V-2,NATURAL		FINISH	RESTRICTED TO
WEIGHT		SIZE A1	CAGE CODE 00779
CUSTOMER DRAWING		DRAWING NO 770068	SCALE 4:1
		SHEET 1 of 1	REV M1