



SlimSeal | SlimSeal Standard Connectors

TE Internal #: 1-2834184-3

Ballast Connectors, Crimp, Wire-to-Wire, 2 Position, .098 in [2.5 mm] Centerline, Sealable, Wire & Cable, SlimSeal Standard Connectors

[View on TE.com >](#)

Connectors > Lighting Connectors > Ballast Connectors



Termination Method to Wire & Cable: **Crimp**

Connector System: **Wire-to-Wire**

Number of Positions: **2**

Centerline (Pitch): **2.5 mm [.098 in]**

Sealable: **Yes**

Features

Product Type Features

Connector System	Wire-to-Wire
Sealable	Yes
Connector & Contact Terminates To	Wire & Cable

Configuration Features

Number of Positions	2
---------------------	---

Contact Features

Contact Current Rating (Max)	5 A
------------------------------	-----

Termination Features

Termination Method to Wire & Cable	Crimp
------------------------------------	-------

Mechanical Attachment

Connector Mounting Type	Cable Mount (Free-Hanging)
-------------------------	----------------------------

Housing Features

Centerline (Pitch)	2.5 mm[.098 in]
--------------------	-----------------

Dimensions

Wire Size	18 – 22 AWG
-----------	-------------

Usage Conditions

Operating Temperature Range	-40 – 105 °C[-40 – 221 °F]
-----------------------------	----------------------------

Product Compliance

[For compliance documentation, visit the product page on TE.com>](#)

EU RoHS Directive 2011/65/EU	Compliant
EU ELV Directive 2000/53/EC	Compliant
China RoHS 2 Directive MIIT Order No 32, 2016	No Restricted Materials Above Threshold
EU REACH Regulation (EC) No. 1907/2006	Current ECHA Candidate List: JUNE 2023 (235) Candidate List Declared Against: JAN 2022 (223) Does not contain REACH SVHC
Halogen Content	Low Halogen - Br, Cl, F, I < 900 ppm per homogenous material. Also BFR/CFR/PVC Free
Solder Process Capability	Not applicable for solder process capability

Product Compliance Disclaimer

This information is provided based on reasonable inquiry of our suppliers and represents our current actual knowledge based on the information they provided. This information is subject to change. The part numbers that TE has identified as EU RoHS compliant have a maximum concentration of 0.1% by weight in homogenous materials for lead, hexavalent chromium, mercury, PBB, PBDE, DBP, BBP, DEHP, DIBP, and 0.01% for cadmium, or qualify for an exemption to these limits as defined in the Annexes of Directive 2011/65/EU (RoHS2). Finished electrical and electronic equipment products will be CE marked as required by Directive 2011/65/EU. Components may not be CE marked. Additionally, the part numbers that TE has identified as EU ELV compliant have a maximum concentration of 0.1% by weight in homogenous materials for lead, hexavalent chromium, and mercury, and 0.01% for cadmium, or qualify for an exemption to these limits as defined in the Annexes of Directive 2000/53/EC (ELV). Regarding the REACH Regulation, the information TE provides on SVHC in articles for this part number is based on the latest European Chemicals Agency (ECHA) 'Guidance on requirements for substances in articles' posted at this URL: <https://echa.europa.eu/guidance-documents/guidance-on-reach>

Compatible Parts



Also in the Series | SlimSeal Standard Connectors



Ballast Connectors(4)

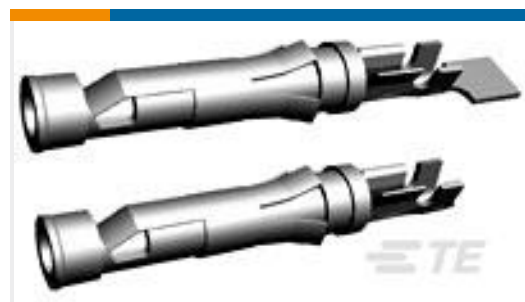


Lighting Cable Assemblies(1)



Plug & Socket Lighting Connectors(25)

Customers Also Bought



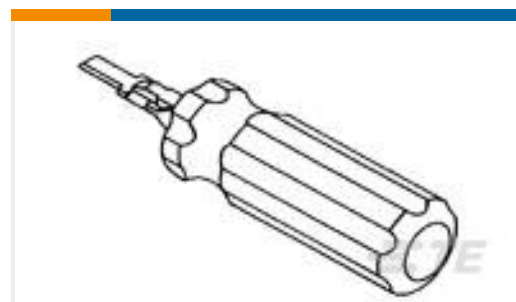
TE Part #1-66399-0
III+ SKT,24-20,TIN ,LP



TE Part #4-644456-4
14P MTA100 HDR ASSY (NARROW)



TE Part #1-1630012-0
HSC150 3K3 5%



TE Part #305183
EXTRACT TOOL TYPE 2 20-16



TE Part #1-796406-2
CPC PSTD RCPT,23-37,R/A LF, inserts



TE Part #86479-5
14 MODII HDR DRRA UNSHRD .100



TE Part #9-2176391-2
RQ 1206 110K 0.1% 10PPM 5K RL



TE Part #8-2176390-5
RQ 1206 8K66 0.1% 10PPM 5K RL



TE Part #4-1879074-0
THS15 3K3 5%

Documents

Product Drawings

2P,FULL CABLE ASSY-152.4MM,WHITE,TIN

English

CAD Files

3D PDF

3D



Customer View Model

[ENG_CVM_CVM_1-2834184-3_A.2d_dxf.zip](#)

English

Customer View Model

[ENG_CVM_CVM_1-2834184-3_A.3d_igs.zip](#)

English

Customer View Model

[ENG_CVM_CVM_1-2834184-3_A.3d_stp.zip](#)

English

By downloading the CAD file I accept and agree to the [Terms and Conditions](#) of use.

Product Specifications

[Application Specification](#)

English