

AI 4 -10 OG -1000 - Ferrule

1213202

<https://www.phoenixcontact.com/us/products/1213202>

Please be informed that the data shown in this PDF document is generated from our online catalog. Please find the complete data in the user documentation. Our general terms of use for downloads are valid.

Ferrule, sleeve length: 10 mm, length: 17 mm, color: orange



Your advantages

- In terms of dimensions, these ferrules conform to DIN 46228-4: 1990-09
- The color code of the plastic insulating collar is based on the French standard NF C 63-023: 1994-02
- The metal sleeves are made from soft tin-plated electrolytic copper

Commercial data

Item number	1213202
Packing unit	1 pc
Minimum order quantity	1,000 pc
Sales key	BH34
Product key	BH3411
Catalog page	Page 482 (C-3-2019)
GTIN	4055626280820
Weight per piece (including packing)	0.263 g
Weight per piece (excluding packing)	0.261 g
Customs tariff number	85369010
Country of origin	DE

1213202

<https://www.phoenixcontact.com/us/products/1213202>

Technical data

Product properties

Product type	Cable end sleeve
Conductor category	stranded conductors, class 2, 5, 6 / B, C, K, M

Connection data

Conductor connection

Conductor cross section flexible max.	4 mm ²
Conductor cross section AWG max.	12
Stripping length	13 mm

Dimensions

Dimensional drawing	
Length	17 mm
Sleeve length	10 mm
Maximum stripping length	13 mm
Ferrule diameter	2.8 mm
Sleeve wall thickness	0.2 mm
Insulating collar thickness	0.3 mm
Inner dimensions of the insulating collar	4.8 mm

Material specifications

Color	orange
Material	CU-DHP
Flammability rating according to UL 94	HB
Coating	tin-plated (galvanic)
Components	free from silicone and halogen

Mechanical properties

Technical data

Sleeve length	10 mm
---------------	-------

Environmental and real-life conditions

Ambient conditions

Permanent temperature	105 °C (-40 °C no load / 0 °C dynamic load)
Short-term temperature	120 °C

AI 4 -10 OG -1000 - Ferrule

1213202

<https://www.phoenixcontact.com/us/products/1213202>



Standards and regulations

Design according to standard

NFC 63-023

AI 4 -10 OG -1000 - Ferrule

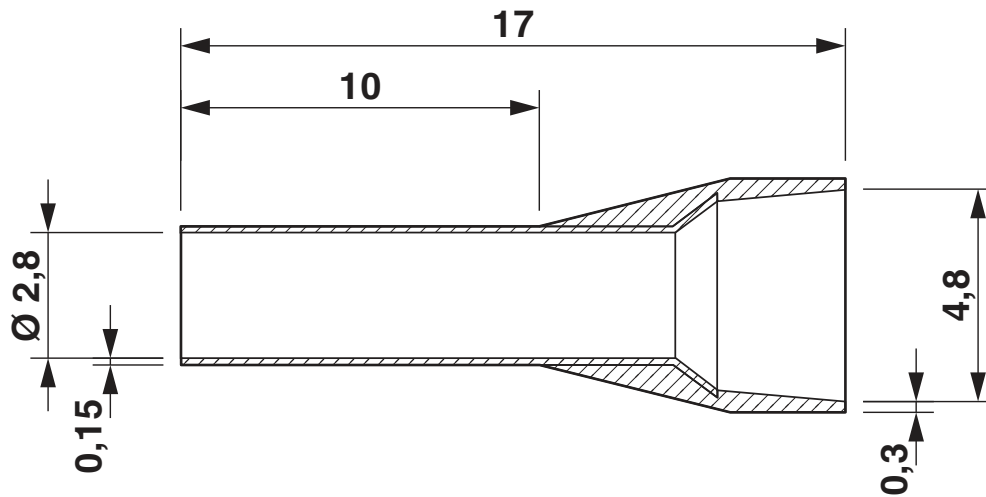
1213202

<https://www.phoenixcontact.com/us/products/1213202>



Drawings

Dimensional drawing



AI 4 -10 OG -1000 - Ferrule



1213202

<https://www.phoenixcontact.com/us/products/1213202>

Classifications

ECLASS

ECLASS-11.0	27400201
ECLASS-13.0	27400201
ECLASS-12.0	27400201

ETIM

ETIM 8.0	EC000005
----------	----------

UNSPSC

UNSPSC 21.0	27121700
-------------	----------

AI 4 -10 OG -1000 - Ferrule



1213202

<https://www.phoenixcontact.com/us/products/1213202>

Environmental product compliance

China RoHS	Environmentally friendly use period: unlimited = EFUP-e No hazardous substances above threshold values
------------	---

Phoenix Contact 2023 © - all rights reserved
<https://www.phoenixcontact.com>

Phoenix Contact USA
586 Fulling Mill Road
Middletown, PA 17057, United States
(+717) 944-1300
info@phoenixcon.com